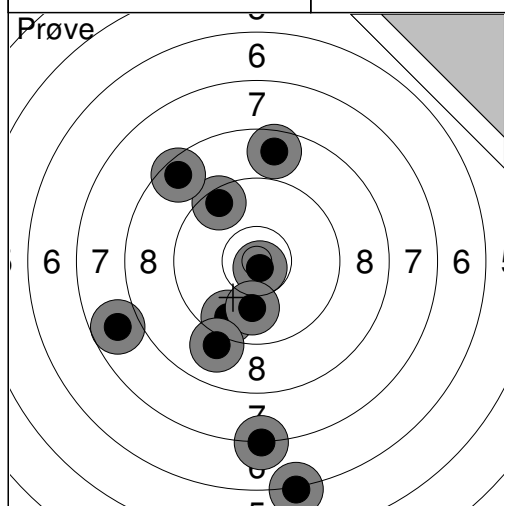
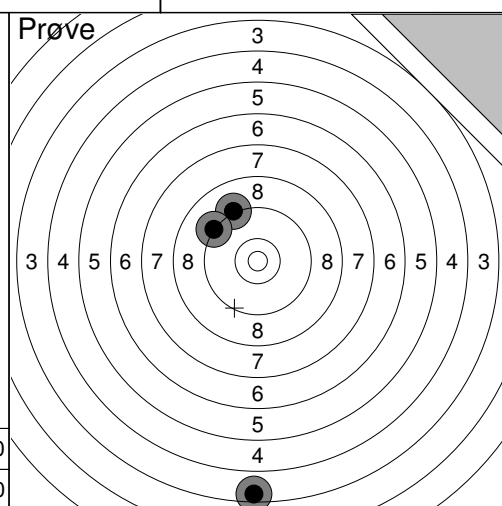


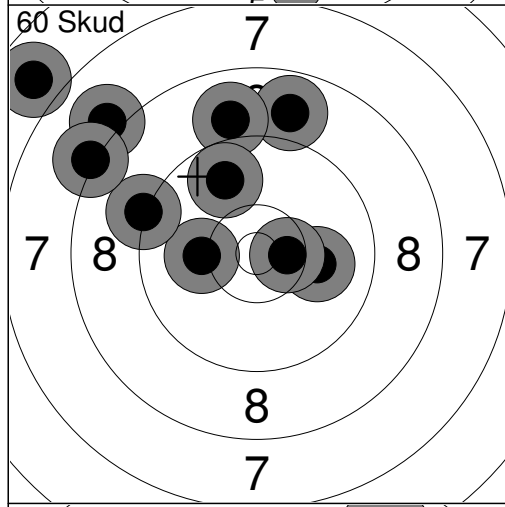
<p>Prøve</p>	<p>1: 9.4 ↘ 2: 10.1 → 3: 9.7 ← 4: 10.1 → 5: 10.3 ↗</p> <p>Serie 48.0 Total 0.0</p>	<p>60 Skud</p>	<p>1: 8.7 ↖ 2: 8.6 → 3: 10.2 ↗ 4: 9.1 ↘ 5: 10.1 ↑ 6: 8.8 ↗ 7: 9.3 ↖ 8: 9.4 ↘ 9: 10.0 ↖ 10: 9.7 ↑</p> <p>Serie 90.0 Total 90.0</p>
<p>60 Skud</p>	<p>11: 8.7 ↗ 12: *10.6 ← 13: *10.5 ↘ 14: 9.1 → 15: 9.8 ↑ 16: 9.4 ↘ 17: 9.4 ↑ 18: 9.4 → 19: 9.8 ↑ 20: 10.2 ←</p> <p>Serie 92.0 Total 182.0</p>	<p>60 Skud</p>	<p>21: 10.1 ← 22: 10.0 ↗ 23: *10.8 ← 24: 10.1 ↑ 25: 8.9 ↗ 26: 9.5 ← 27: 9.2 ← 28: 9.8 ↑ 29: 9.8 ↘ 30: 9.8 ↗</p> <p>Serie 93.0 Total 275.0</p>
<p>60 Skud</p>	<p>31: 9.9 ↗ 32: 9.9 ← 33: 9.9 → 34: 9.6 ↑ 35: *10.9 ← 36: 9.5 ← 37: 10.1 ← 38: 8.9 ↗ 39: 9.4 ↗ 40: 8.7 ↗</p> <p>Serie 90.0 Total 365.0</p>	<p>60 Skud</p>	<p>41: 8.8 ↗ 42: 10.2 ↗ 43: 8.0 ↗ 44: *10.4 ↗ 45: 9.5 ↑ 46: 10.2 ↗ 47: 8.2 ↗ 48: 10.2 ↘ 49: 10.3 → 50: 8.4 ↘</p> <p>Serie 91.0 Total 456.0</p>
<p>60 Skud</p>	<p>51: 8.9 ↗ 52: 9.0 ↘ 53: *10.4 ↗ 54: 9.3 → 55: 9.9 → 56: 8.8 ↘ 57: 9.1 ↑ 58: 9.9 ↖ 59: *10.6 ↘ 60: 10.0 ↗</p> <p>Serie 91.0 Total 547.0</p>		



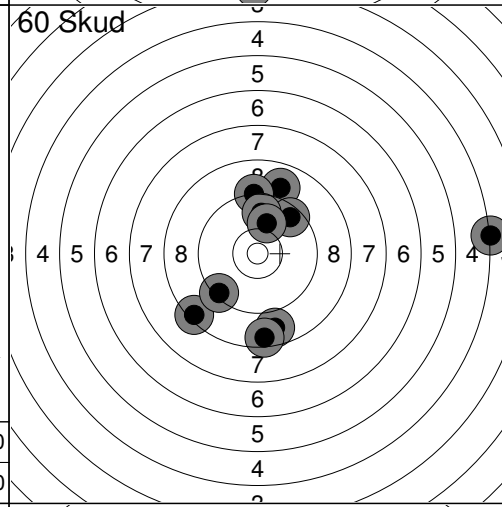
1:	9.6	↓
2:	7.2	↓
3:	9.5	↗
4:	8.5	↗
5:	7.8	↖
6:	*10.8	↓
7:	10.0	↓
8:	8.7	↑
9:	9.0	↓
10:	6.2	↓
Serie		83.0
Total		0.0



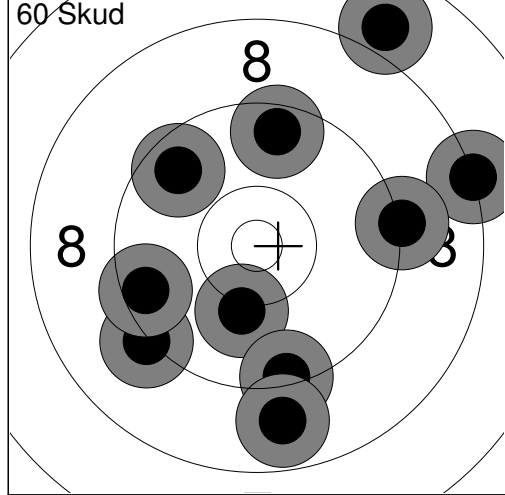
11:	3.5	↓
12:	9.2	↗
13:	9.2	↖
Serie		21.0
Total		0.0



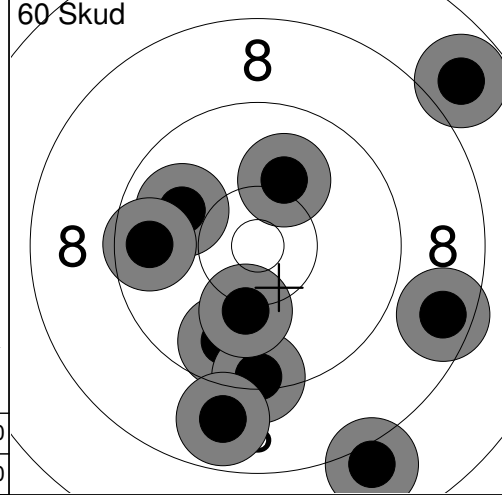
1:	10.1	←
2:	8.8	↑
3:	10.1	→
4:	9.2	↖
5:	6.8	↗
6:	9.0	↑
7:	9.8	↗
8:	8.0	↗
9:	*10.5	→
10:	8.2	↗
Serie		87.0
Total		87.0



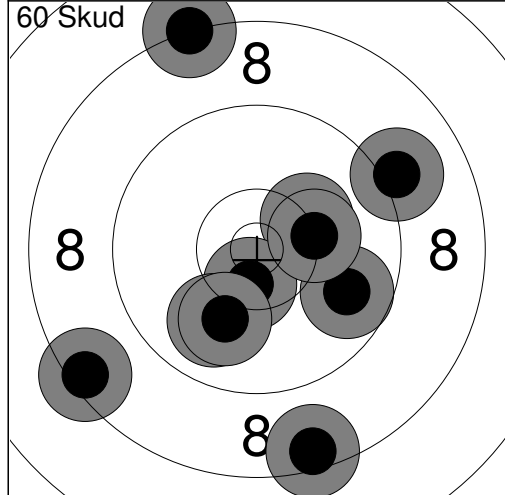
11:	4.2	→
12:	8.9	↑
13:	9.2	↑
14:	9.5	↗
15:	9.8	↑
16:	8.7	↓
17:	8.5	↓
18:	10.0	↑
19:	8.4	↖
20:	9.4	↖
Serie		82.0
Total		169.0



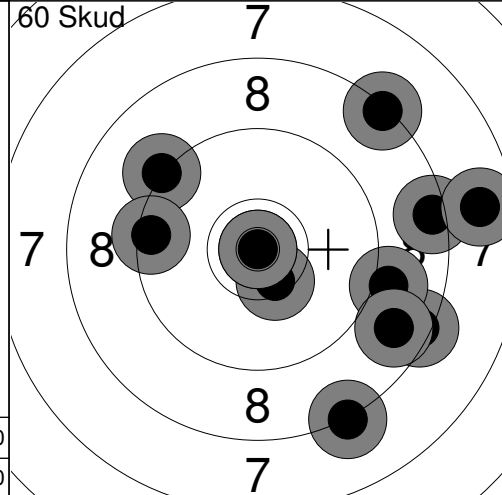
21:	9.2	↖
22:	7.9	↗
23:	9.6	↑
24:	10.2	↓
25:	9.6	↗
26:	9.5	↖
27:	8.2	→
28:	9.3	↓
29:	9.2	→
30:	8.8	↓
Serie		87.0
Total		256.0



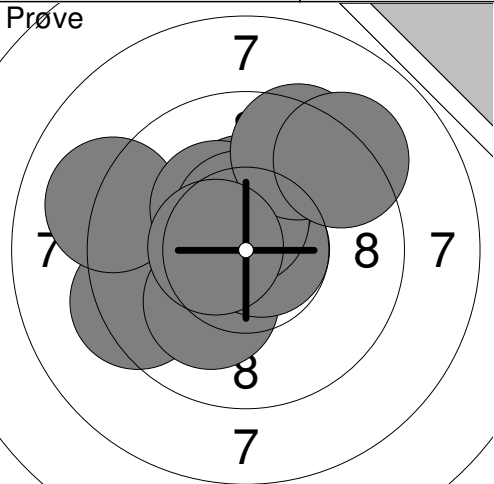
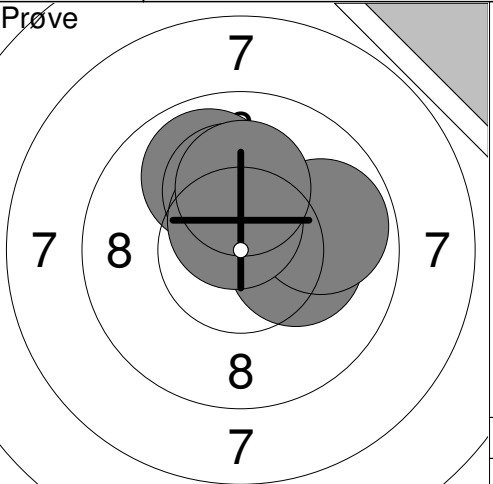
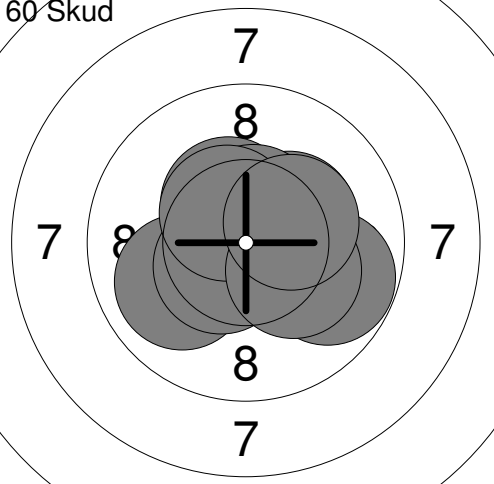
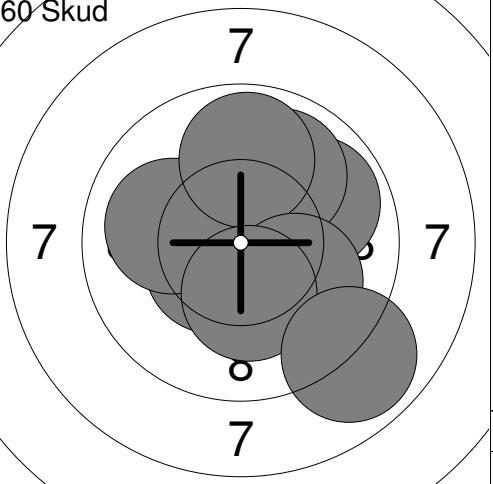
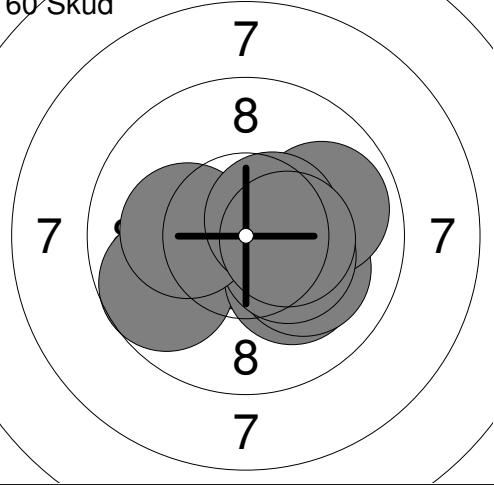
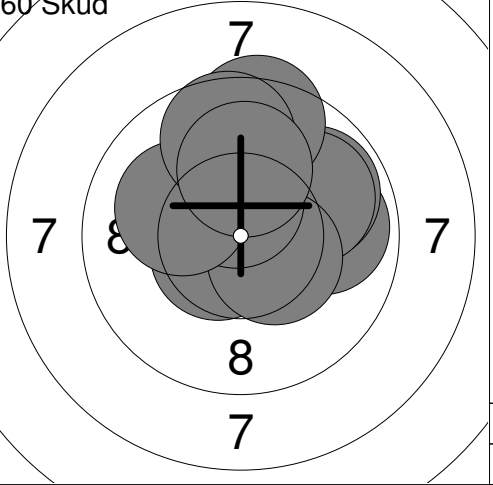
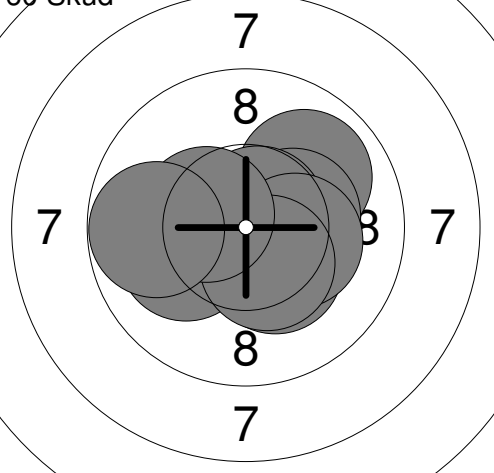
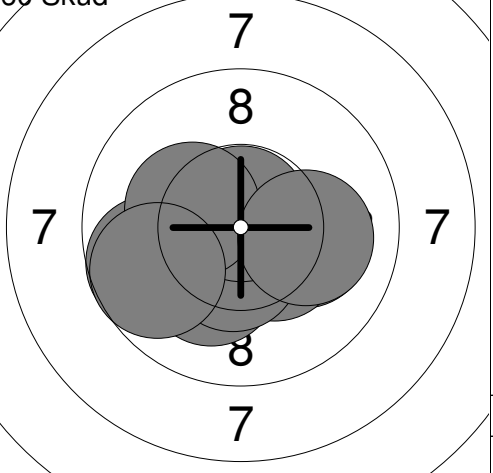
31:	9.7	↓
32:	9.9	↖
33:	9.7	←
34:	9.4	↓
35:	10.2	↓
36:	8.6	→
37:	10.1	↑
38:	8.8	↓
39:	8.0	↓
40:	7.8	↗
Serie		87.0
Total		343.0

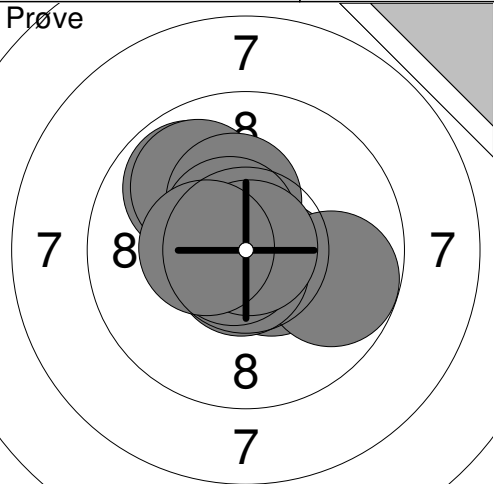
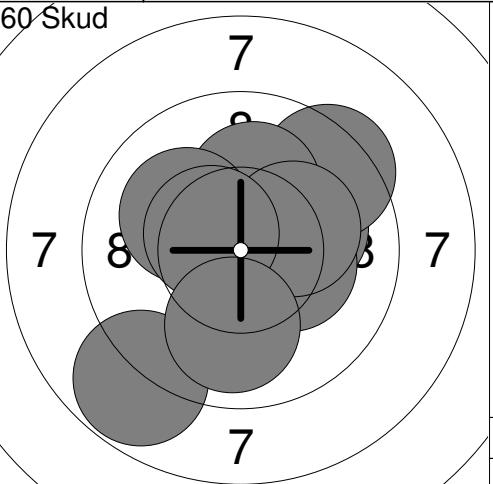
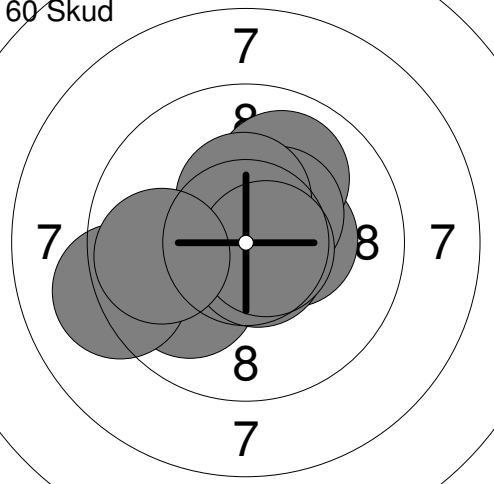
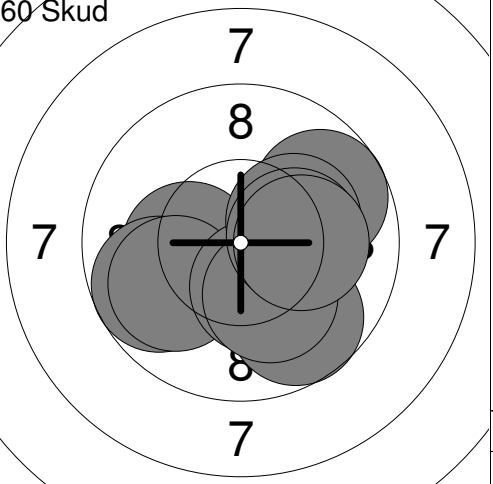
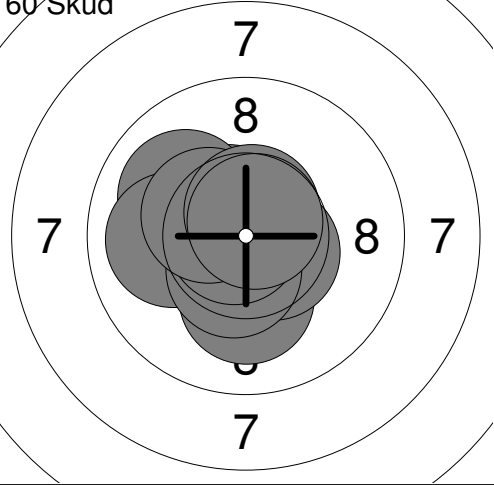
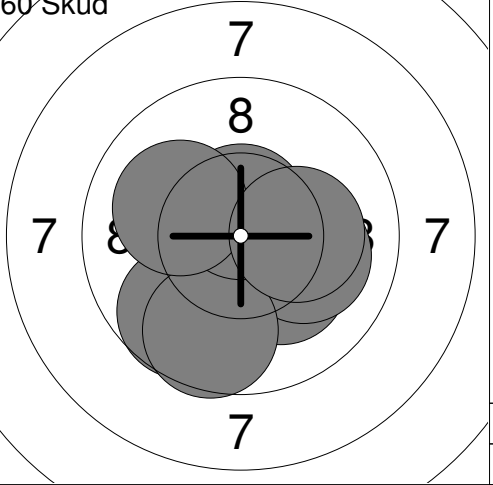
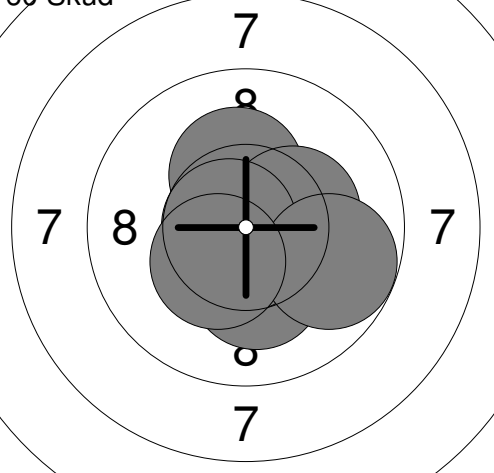


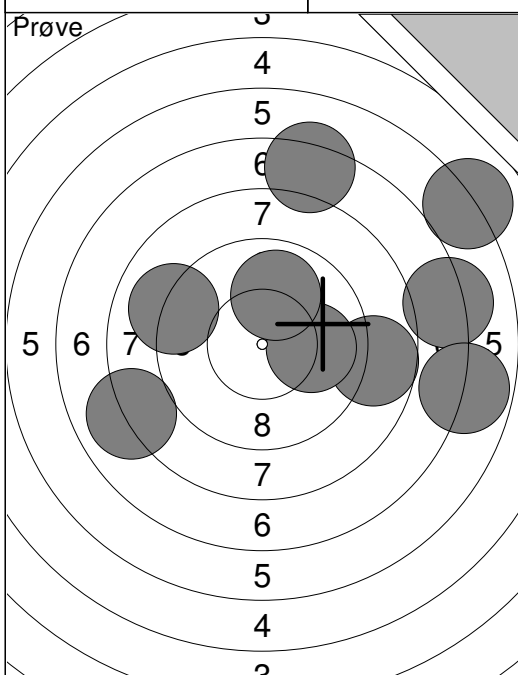
41:	9.1	↗
42:	10.3	↗
43:	8.5	↓
44:	8.2	↑
45:	9.8	↘
46:	*10.5	↓
47:	10.0	↓
48:	10.2	→
49:	10.0	↓
50:	8.4	↖
Serie		92.0
Total		435.0



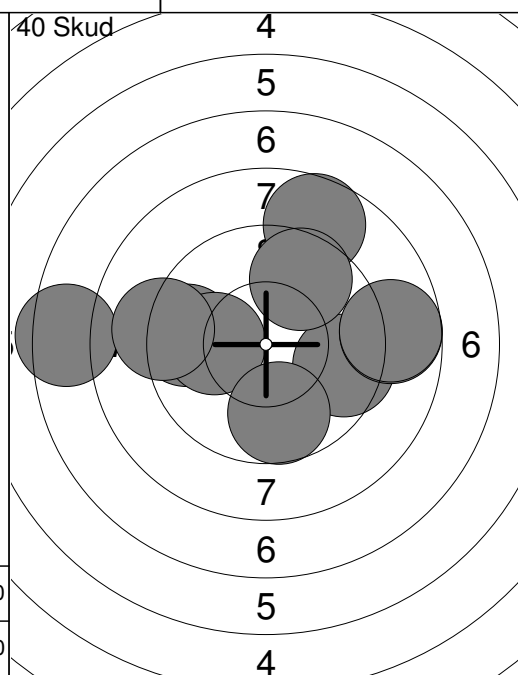
51:	8.4	→
52:	*10.4	↓
53:	8.4	↘
54:	9.0	→
55:	8.3	↗
56:	9.2	↗
57:	8.7	↘
58:	9.4	←
59:	8.2	↓
60:	7.7	→
Serie		84.0
Total		519.0

<p>Prøve</p> 	<p>1: 9.4 ↙ 2: 9.1 ↖ 3: 10.1 ↘ 4: *10.7 → 5: *10.3 ↑ 6: *10.3 ↗ 7: *10.5 ↑ 8: 9.5 ↗ 9: *10.5 ← 10: 9.2 ↗</p> <p>Serie 96.0 Total 0.0</p>	<p>Prøve</p> 	<p>11: *10.2 → 12: 9.8 → 13: 9.9 ↗ 14: *10.2 ↑ 15: *10.6 ↑ 16: 10.1 ↑</p> <p>Serie 58.0 Total 0.0</p>
<p>60 Skud</p> 	<p>1: *10.4 ↗ 2: *10.6 ← 3: 10.0 ↖ 4: *10.5 ↖ 5: 9.8 ↘ 6: *10.3 ↗ 7: *10.5 ↑ 8: *10.5 ↗ 9: *10.2 ↘ 10: *10.3 →</p> <p>Serie 99.0 Total 99.0</p>	<p>60 Skud</p> 	<p>11: 9.9 ↗ 12: *10.4 ↑ 13: *10.4 ↑ 14: 9.9 ↗ 15: *10.5 ↖ 16: 10.0 ← 17: 9.9 ↑ 18: 10.1 ↘ 19: *10.3 ↓ 20: 8.9 ↘</p> <p>Serie 95.0 Total 194.0</p>
<p>60 Skud</p> 	<p>21: *10.4 → 22: *10.8 ↖ 23: 9.7 ← 24: 10.1 ↘ 25: 10.1 ↘ 26: 9.9 → 27: *10.3 ↘ 28: *10.2 ← 29: *10.5 ↗ 30: *10.4 →</p> <p>Serie 98.0 Total 292.0</p>	<p>60 Skud</p> 	<p>31: 9.9 → 32: 9.8 ↗ 33: *10.6 ↖ 34: 9.9 ↗ 35: *10.4 ↘ 36: 9.4 ↑ 37: *10.5 ↑ 38: 10.1 ↖ 39: 9.7 ↑ 40: 10.1 ↑</p> <p>Serie 95.0 Total 387.0</p>
<p>60 Skud</p> 	<p>41: 9.9 ↗ 42: *10.3 → 43: *10.2 ← 44: *10.3 ↘ 45: 10.1 ← 46: *10.7 ↗ 47: *10.3 → 48: *10.4 ↘ 49: *10.4 ← 50: 9.8 ←</p> <p>Serie 98.0 Total 485.0</p>	<p>60 Skud</p> 	<p>51: *10.8 ← 52: 10.1 → 53: *10.4 ↘ 54: *10.2 ↘ 55: 9.7 ← 56: *10.5 ↓ 57: *10.8 ↑ 58: *10.3 ← 59: 10.1 → 60: 9.7 ←</p> <p>Serie 98.0 Total 583.0</p>

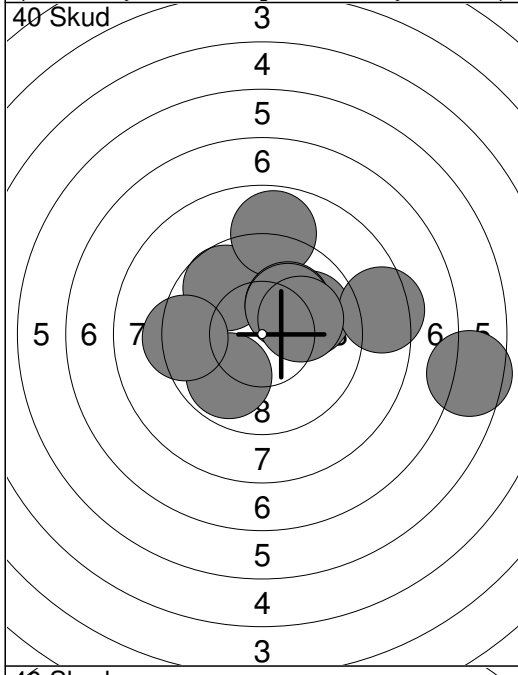
<p>Prøve</p> 	<p>1: *10.5 ↘ 2: 9.9 ↗ 3: 9.9 ↗ 4: *10.3 ↗ 5: 9.8 ↘ 6: *10.7 ↘ 7: *10.5 ↗ 8: *10.8 ↙ 9: *10.9 ↗ 10: *10.4 ←</p> <p>Serie 97.0 Total 0.0</p>	<p>60 Skud</p> 	<p>1: 10.1 → 2: *10.6 ↗ 3: 8.8 ↘ 4: 9.4 ↗ 5: 10.1 ↑ 6: *10.3 → 7: *10.2 → 8: 10.1 ↖ 9: *10.5 ↖ 10: 10.0 ↓</p> <p>Serie 97.0 Total 97.0</p>
<p>60 Skud</p> 	<p>11: *10.4 → 12: 10.0 ↘ 13: 10.0 ↗ 14: 9.2 ← 15: *10.4 ↗ 16: *10.9 ↘ 17: *10.4 ↑ 18: *10.7 ↘ 19: *10.7 → 20: 9.8 ←</p> <p>Serie 98.0 Total 195.0</p>	<p>60 Skud</p> 	<p>21: *10.3 ← 22: 9.7 ← 23: 9.9 ↖ 24: 9.7 ↘ 25: *10.3 ↘ 26: 9.7 ↗ 27: *10.2 ↘ 28: *10.2 → 29: *10.2 → 30: 10.1 →</p> <p>Serie 96.0 Total 291.0</p>
<p>60 Skud</p> 	<p>31: *10.2 ↓ 32: *10.5 ↘ 33: *10.6 ↗ 34: 10.0 ↗ 35: 10.0 ← 36: *10.5 ↘ 37: *10.8 ← 38: *10.4 ↗ 39: *10.6 ↑ 40: *10.7 ↗</p> <p>Serie 100.0 Total 391.0</p>	<p>60 Skud</p> 	<p>41: 9.7 ↘ 42: *10.4 → 43: 9.7 ↘ 44: *10.7 ↘ 45: *10.2 ↘ 46: 10.1 → 47: 9.6 ↘ 48: *10.6 ↑ 49: 10.1 ↖ 50: *10.2 →</p> <p>Serie 97.0 Total 488.0</p>
<p>60 Skud</p> 	<p>51: *10.2 ↓ 52: *10.7 ↑ 53: *10.6 → 54: *10.7 ↘ 55: *10.8 ↘ 56: *10.3 ↑ 57: *10.3 → 58: *10.7 ← 59: 9.8 ↘ 60: *10.4 ↘</p> <p>Serie 99.0 Total 587.0</p>		



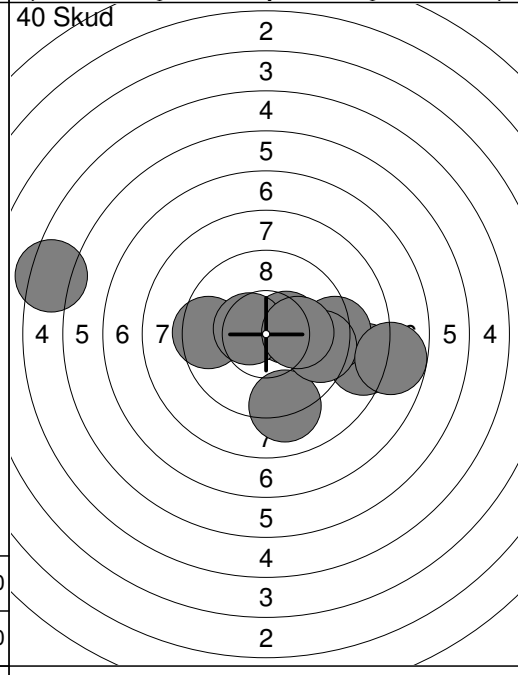
1: 8.0	←
2: 7.2	→
3: 9.1	←
4: 8.7	→
5: 6.8	→
6: 6.0	↗
7: 10.0	→
8: 7.3	↑
9: 9.9	↑
Serie 70.0	
Total 0.0	



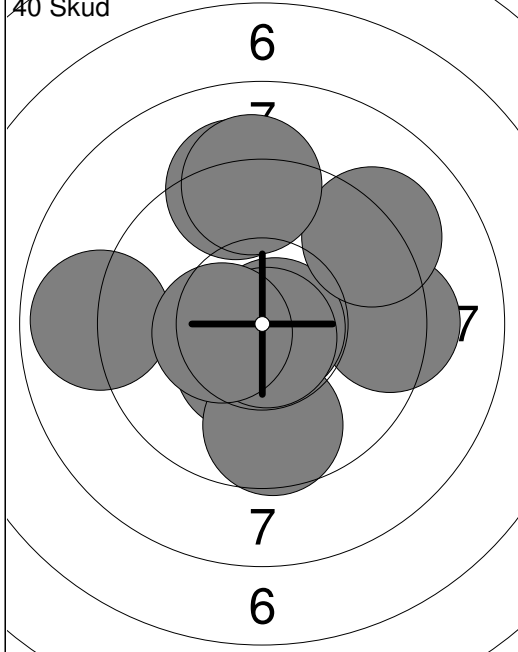
1: 7.4	←
2: 9.5	→
3: 8.7	↗
4: 9.7	↗
5: 9.5	←
6: 8.7	→
7: 10.0	←
8: 8.8	→
9: 9.7	↓
10: 9.1	←
Serie 86.0	
Total 86.0	



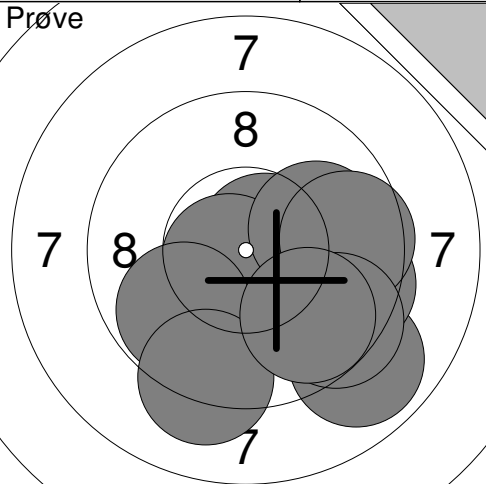
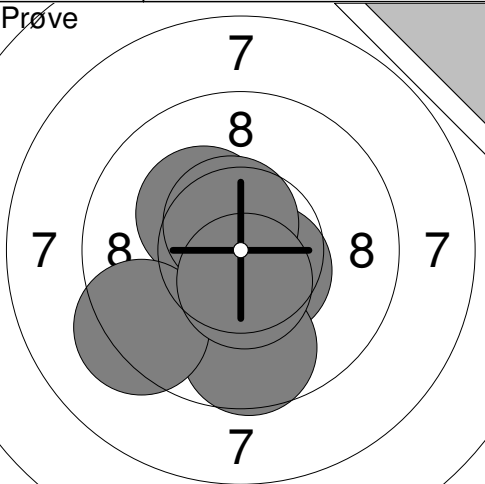
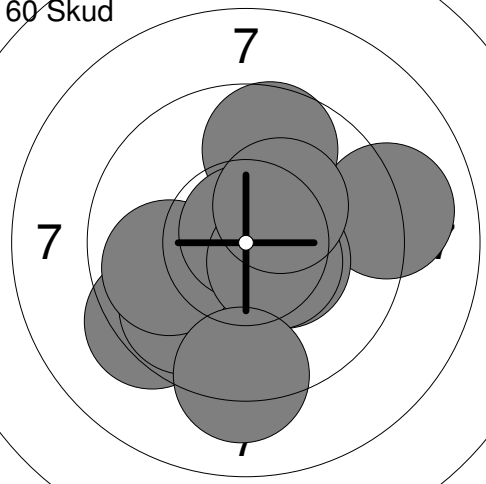
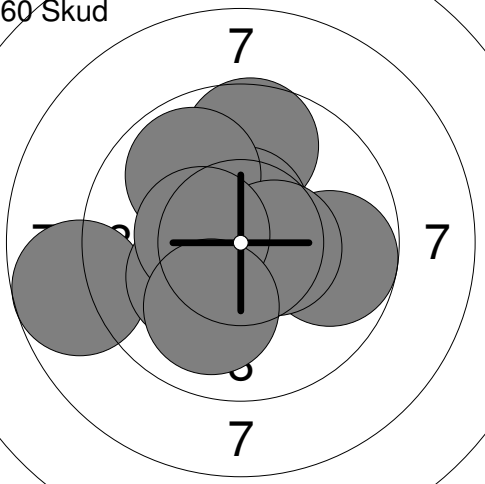
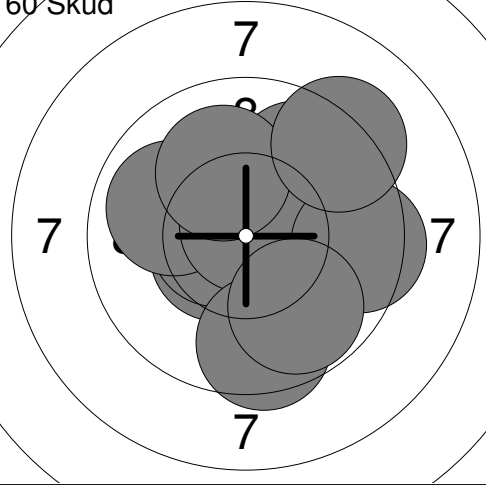
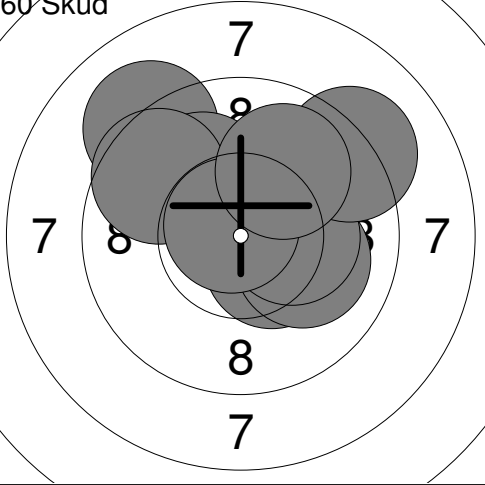
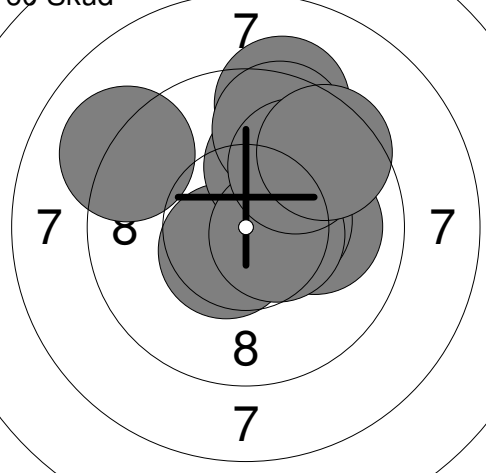
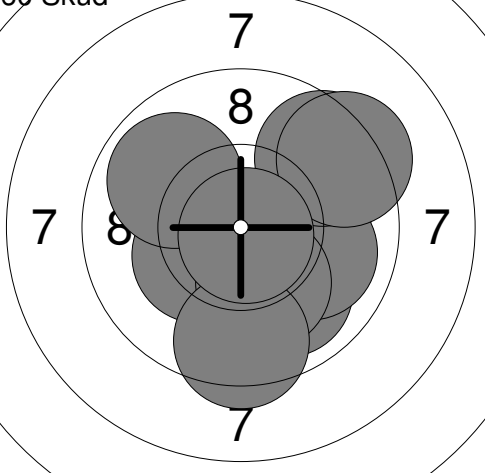
11: 9.9	↗
12: 9.8	↙
13: 8.4	→
14: 9.7	↖
15: 9.3	←
16: 8.8	↑
17: 10.1	↗
18: *10.2	↗
19: 10.1	→
20: 6.6	→
Serie 88.0	
Total 174.0	

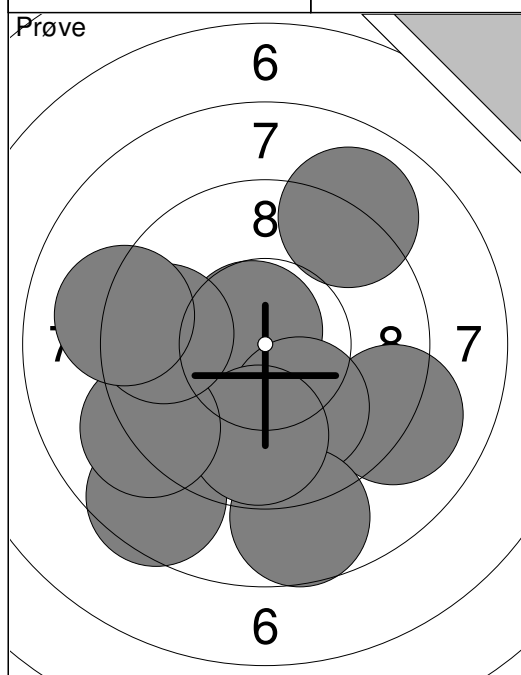


21: *10.4	↗
22: 9.5	←
23: 8.4	→
24: 9.2	→
25: 5.4	←
26: 9.1	↓
27: *10.5	←
28: 9.5	→
29: *10.2	→
30: 7.8	→
Serie 86.0	
Total 260.0	

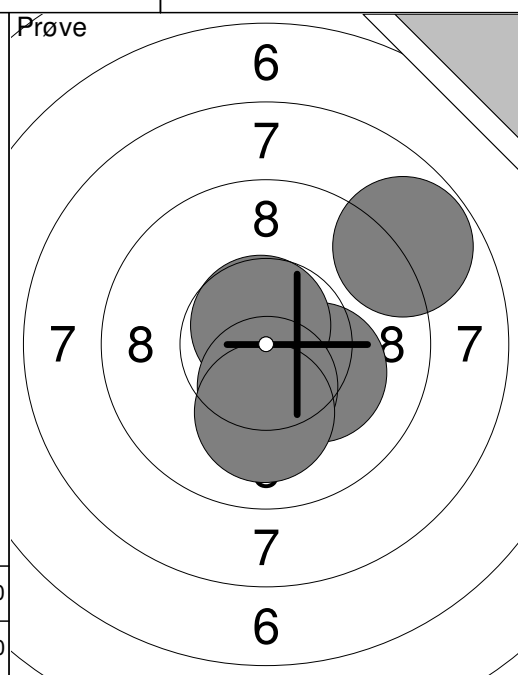


31: *10.4	↙
32: 8.9	←
33: 9.3	→
34: *10.8	→
35: 9.2	↑
36: 9.2	↗
37: 9.6	↓
38: 9.2	↑
39: *10.8	↓
40: *10.4	←
Serie 93.0	
Total 353.0	

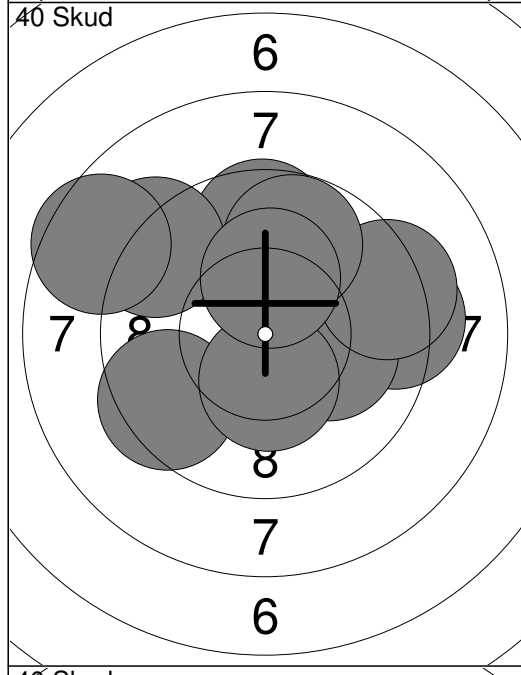
<p>Prøve</p> 	<p>1: 8.9 ↘ 2: 9.5 → 3: *10.7 → 4: *10.7 ↙ 5: 9.8 ↘ 6: 10.0 → 7: 9.6 → 8: 9.2 ↘ 9: 9.4 ↘ 10: 9.8 ↘</p> <p>Serie 92.0 Total 0.0</p>	<p>Prøve</p> 	<p>11: *10.3 ↗ 12: *10.5 ↘ 13: 9.7 ↓ 14: 9.3 ↙ 15: *10.6 ↗ 16: *10.5 ↓</p> <p>Serie 58.0 Total 0.0</p>
<p>60 Skud</p> 	<p>1: 9.0 → 2: 9.3 ↙ 3: 9.8 ↙ 4: 9.7 ↑ 5: *10.4 → 6: 9.9 ← 7: *10.8 ↑ 8: *10.5 → 9: 9.2 ↓ 10: *10.3 ↗</p> <p>Serie 94.0 Total 94.0</p>	<p>60 Skud</p> 	<p>11: 9.7 ↑ 12: *10.6 ↑ 13: *10.8 ↓ 14: 9.8 → 15: 9.9 ↗ 16: 8.7 ← 17: *10.5 → 18: *10.2 ↙ 19: *10.4 ← 20: 10.0 ↓</p> <p>Serie 95.0 Total 189.0</p>
<p>60 Skud</p> 	<p>21: *10.5 ↙ 22: *10.6 ← 23: 9.9 ↖ 24: 9.8 ↗ 25: *10.8 ↑ 26: 10.1 ↑ 27: 9.5 → 28: 9.5 ↓ 29: 9.2 ↗ 30: 9.8 ↘</p> <p>Serie 94.0 Total 283.0</p>	<p>60 Skud</p> 	<p>31: *10.4 ↘ 32: 9.1 ↗ 33: *10.5 → 34: 10.1 ↗ 35: 9.6 ↗ 36: 10.1 → 37: *10.3 → 38: *10.8 ↗ 39: 9.1 ↗ 40: 9.9 ↗</p> <p>Serie 96.0 Total 379.0</p>
<p>60 Skud</p> 	<p>41: 10.0 → 42: *10.4 → 43: *10.5 ↙ 44: 9.2 ↑ 45: 10.1 ↑ 46: 9.6 ↑ 47: *10.5 → 48: 9.9 ↗ 49: 9.5 ↗ 50: 9.1 ↗</p> <p>Serie 95.0 Total 474.0</p>	<p>60 Skud</p> 	<p>51: 9.9 ↘ 52: *10.2 → 53: 10.0 → 54: *10.3 ↙ 55: 9.5 ↗ 56: 9.9 ↗ 57: *10.2 ↓ 58: 9.5 ↓ 59: 9.3 ↗ 60: *10.8 ↓</p> <p>Serie 95.0 Total 569.0</p>



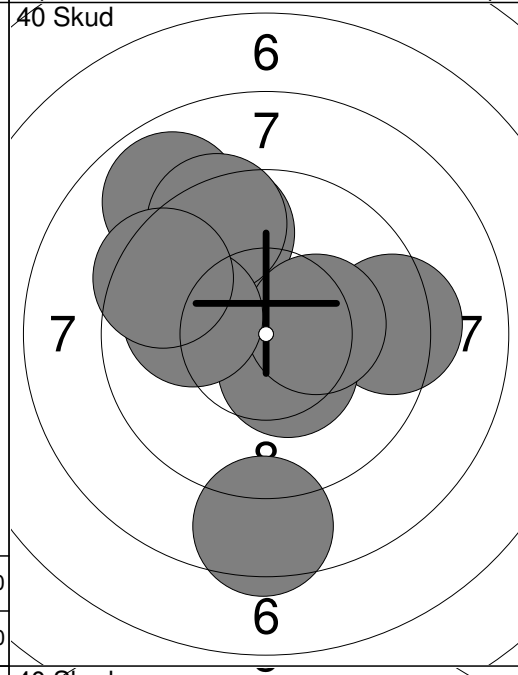
1:	*10.7	↖
2:	9.1	→
3:	10.0	↓
4:	8.6	↙
5:	8.7	↓
6:	9.8	↓
7:	9.1	↙
8:	9.6	←
9:	9.1	←
10:	9.0	↗
Serie		90.0
Total		0.0



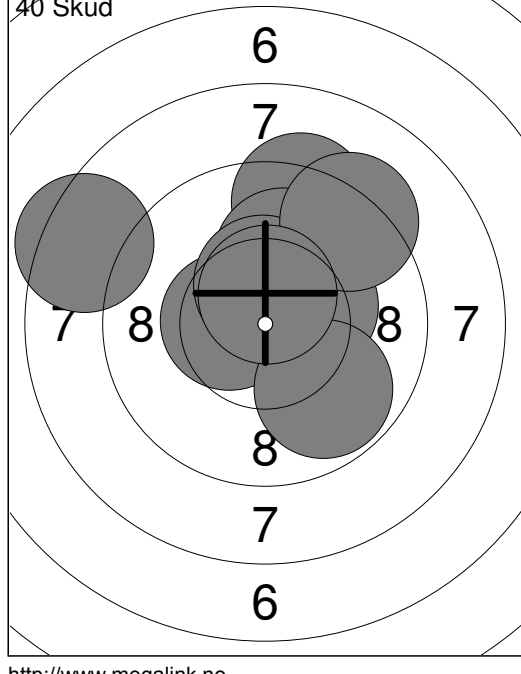
11:	8.8	↗
12:	*10.2	→
13:	*10.7	↑
14:	*10.4	↓
15:	10.1	↓
Serie		48.0
Total		0.0



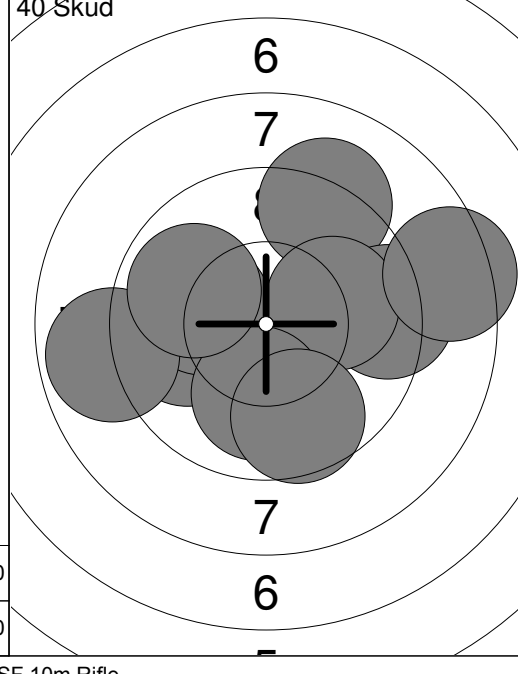
1:	9.3	→
2:	10.1	→
3:	9.6	↑
4:	9.4	↙
5:	9.2	↗
6:	9.3	→
7:	9.8	↑
8:	*10.4	↓
9:	*10.2	↑
10:	8.6	↙
Serie		92.0
Total		92.0



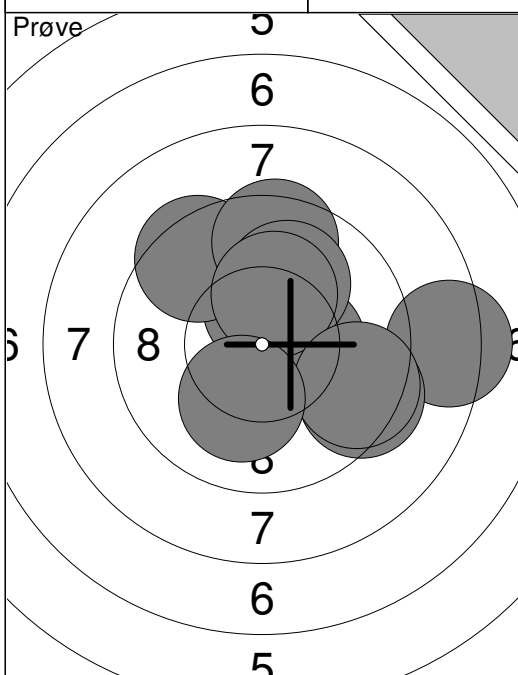
11:	9.3	→
12:	9.6	↑
13:	*10.4	↓
14:	8.5	↓
15:	9.4	↑
16:	8.9	↑
17:	*10.3	→
18:	9.4	↑
19:	10.0	←
20:	9.4	↙
Serie		91.0
Total		183.0



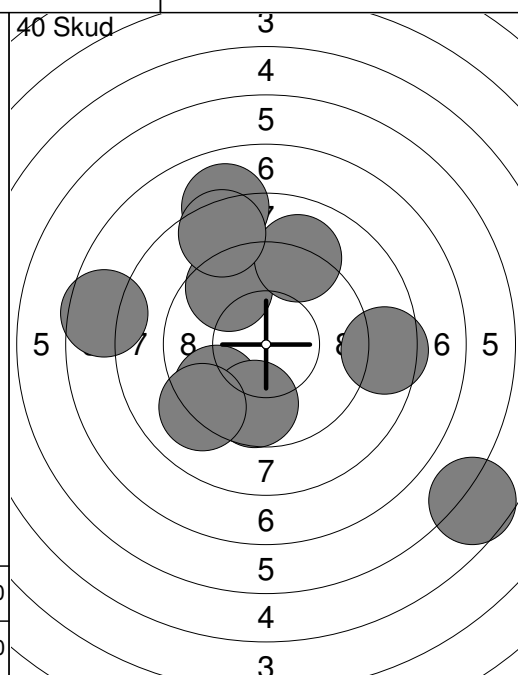
21:	9.6	↗
22:	9.3	↑
23:	10.1	↑
24:	*10.5	←
25:	*10.3	→
26:	*10.4	↑
27:	9.2	↗
28:	9.8	↙
29:	*10.6	↑
30:	8.4	↙
Serie		94.0
Total		277.0



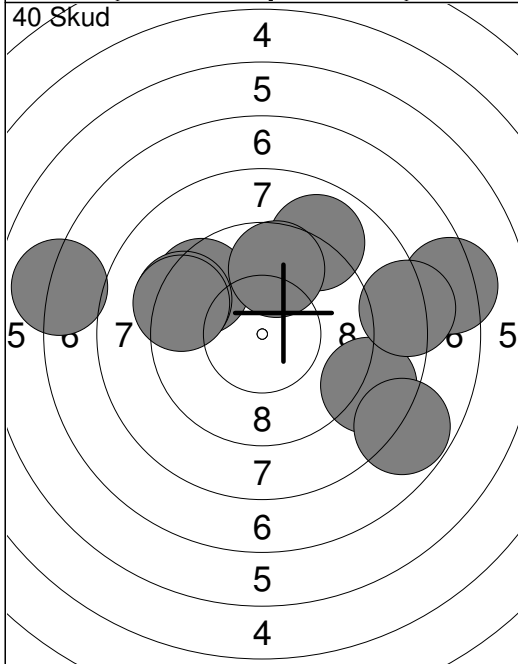
31:	9.9	←
32:	10.1	←
33:	9.2	↑
34:	9.3	→
35:	10.0	→
36:	10.0	↓
37:	9.6	↓
38:	8.9	←
39:	8.4	→
40:	9.9	↙
Serie		91.0
Total		368.0



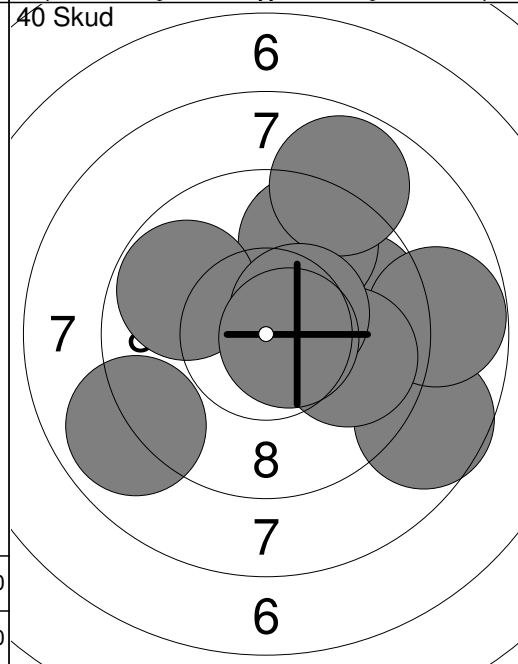
1: *10.4	↑
2: 9.4	↗
3: *10.4	→
4: 8.3	→
5: 9.5	↑
6: 9.4	↘
7: 10.0	↑
8: *10.2	↑
9: 9.5	↘
10: 10.1	↓
Serie 94.0	
Total 0.0	



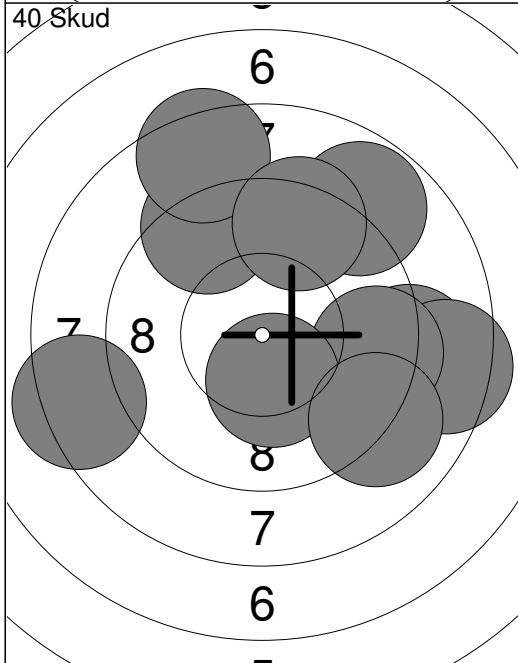
1: 9.6	↖
2: 9.1	↗
3: 9.6	↙
4: 7.6	←
5: 8.0	↑
6: 5.7	↘
7: 9.7	↓
8: 9.1	↙
9: 8.5	↑
10: 8.5	→
Serie 81.0	
Total 81.0	



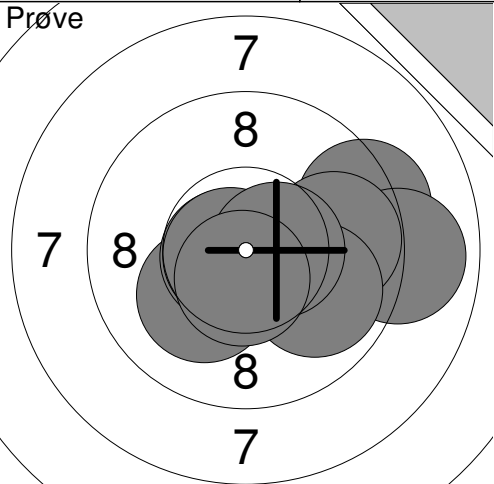
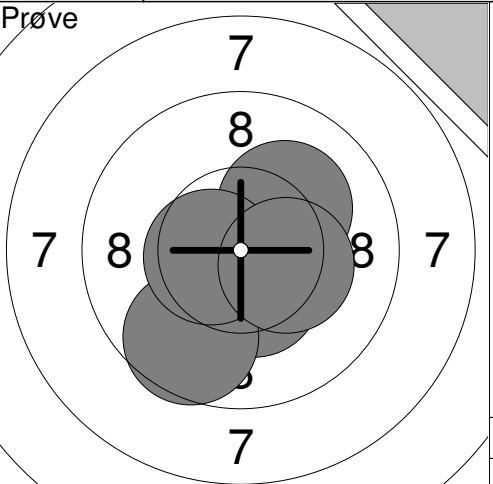
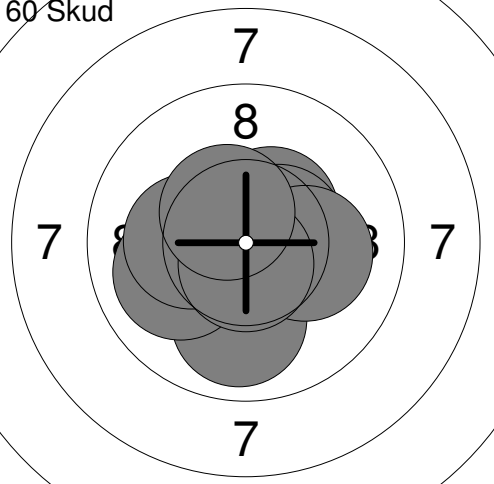
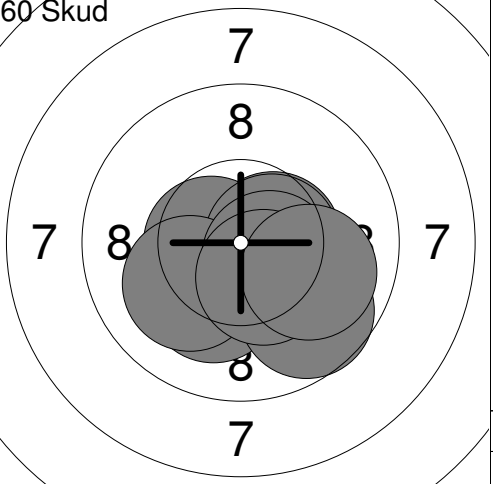
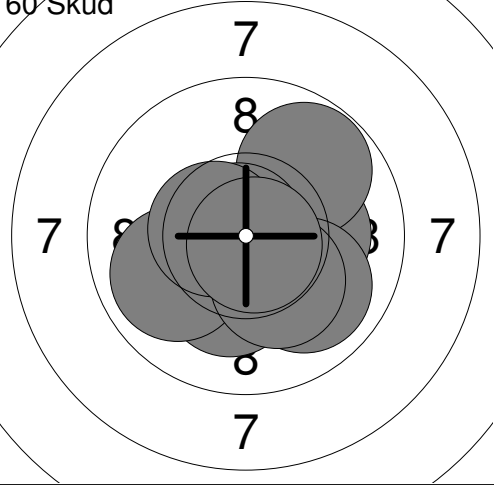
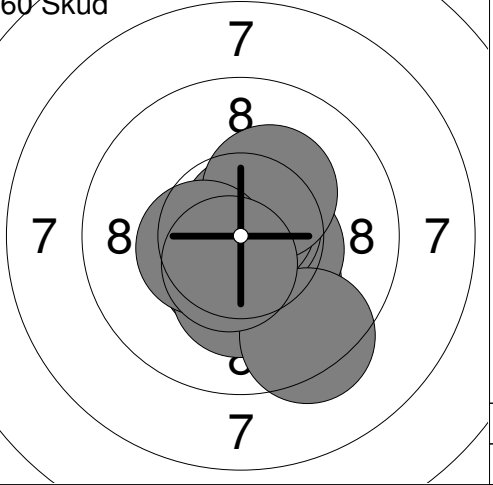
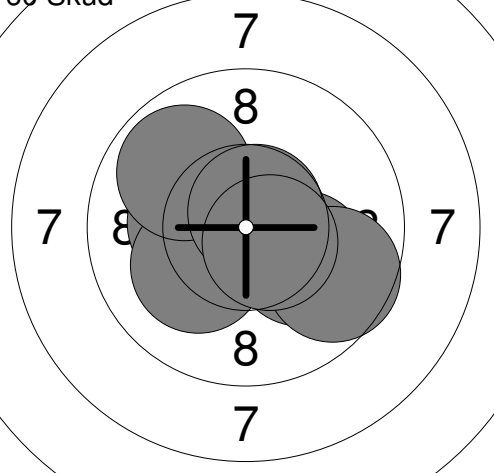
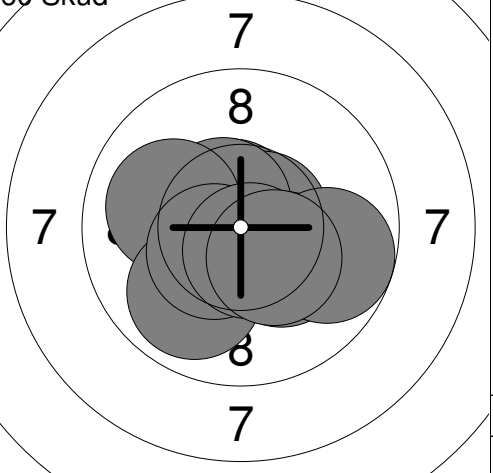
11: 8.7	↘
12: 9.0	↗
13: 7.3	→
14: 7.1	←
15: 9.5	↗
16: 9.3	↖
17: 8.2	→
18: 7.8	↘
19: 9.3	↖
20: 9.7	↑
Serie 82.0	
Total 163.0	



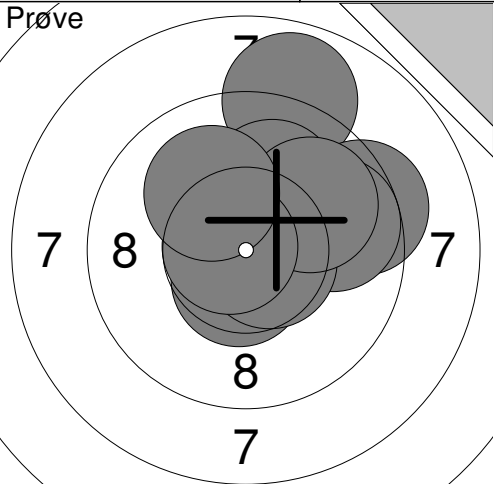
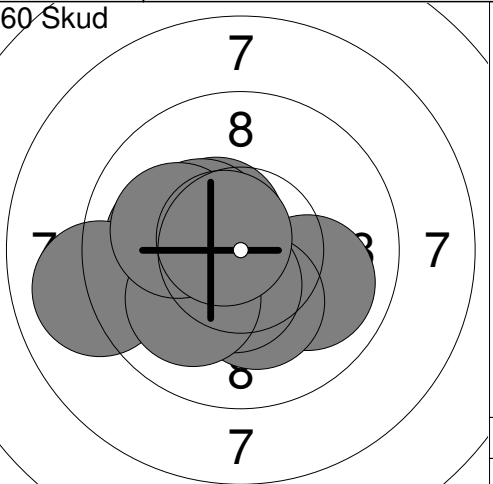
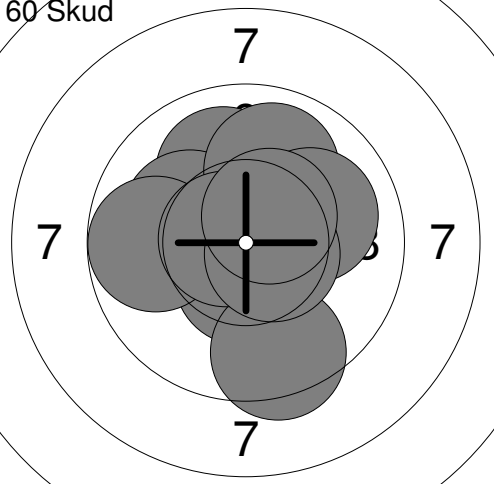
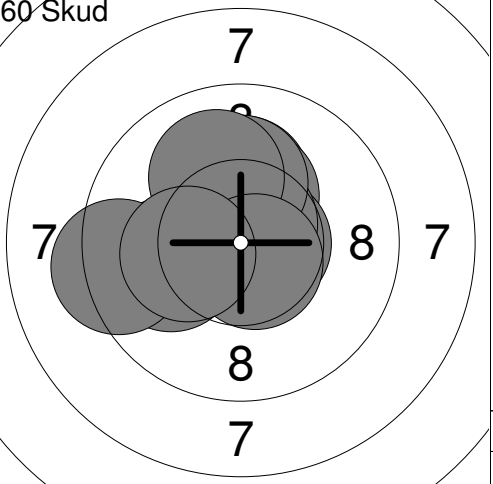
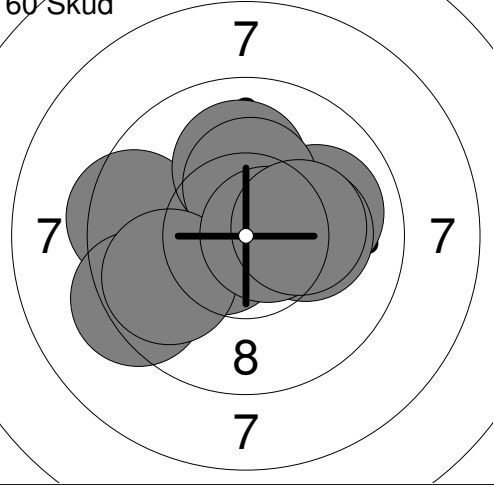
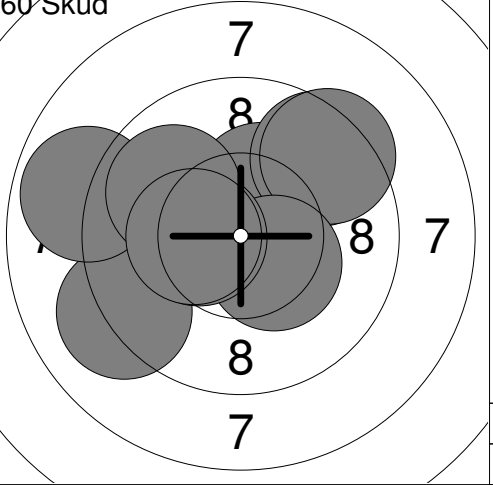
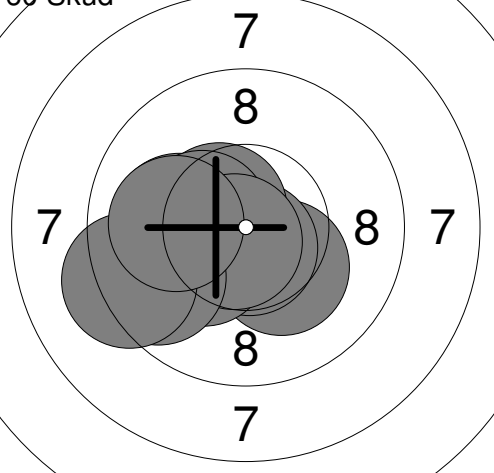
21: 9.7	→
22: 8.9	↙
23: 8.7	↘
24: 9.7	↑
25: 8.8	→
26: 9.8	↖
27: 8.8	↗
28: 9.9	→
29: *10.4	↗
30: *10.7	→
Serie 88.0	
Total 251.0	

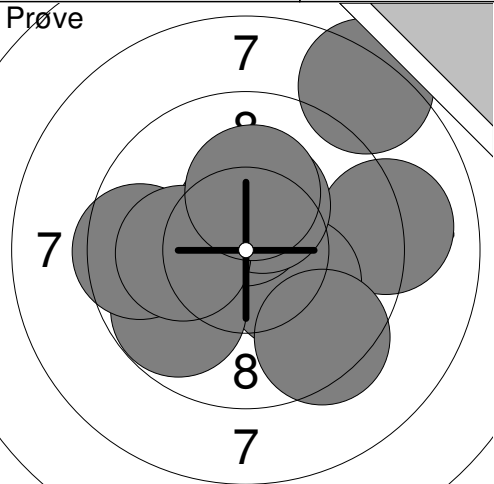
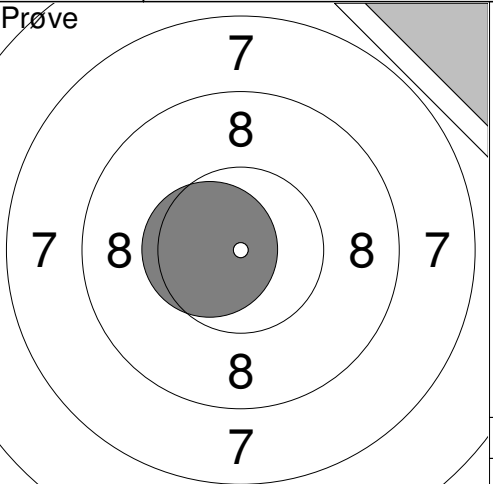
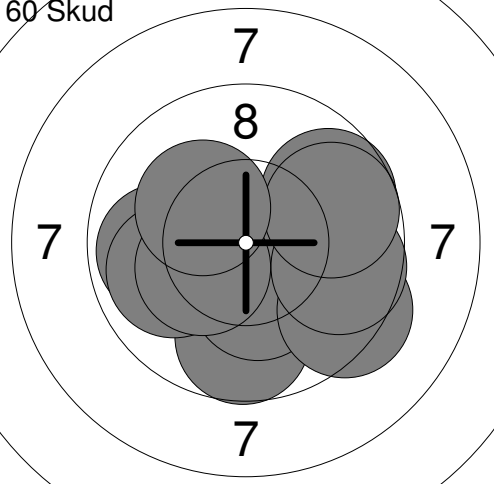
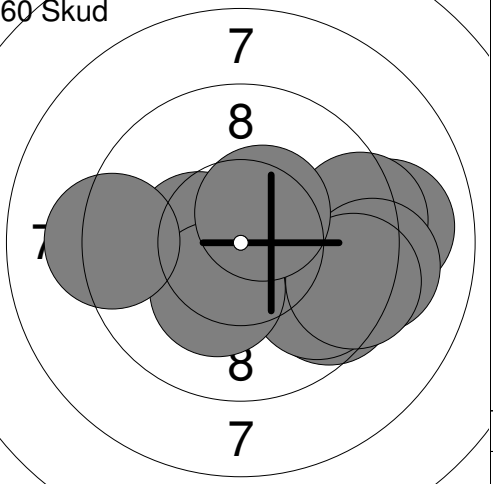
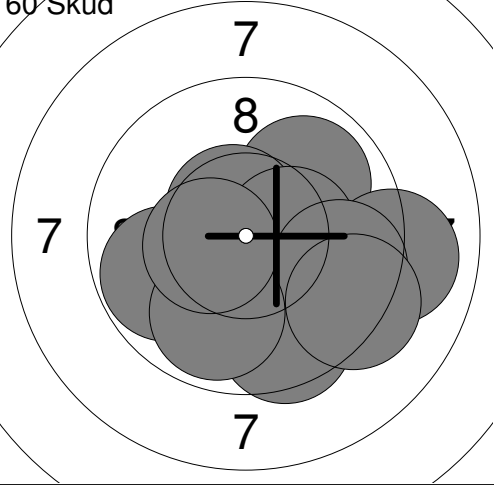
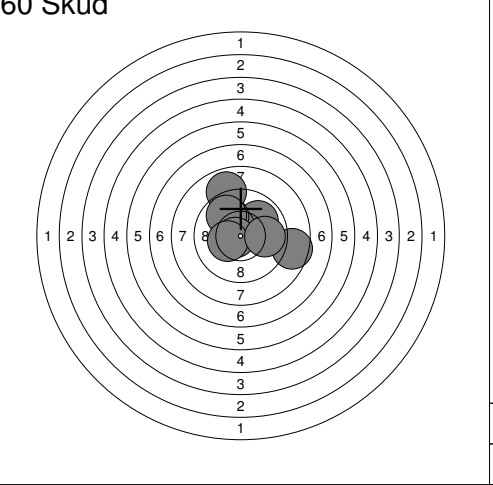
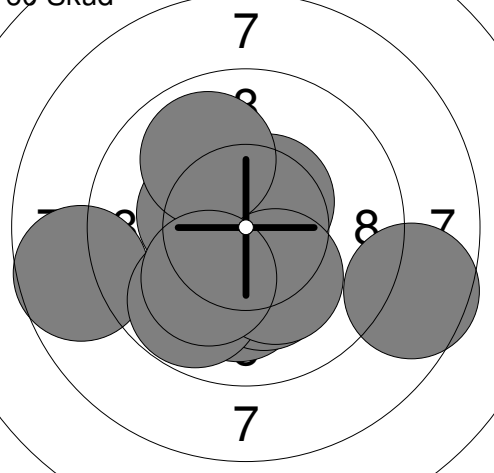
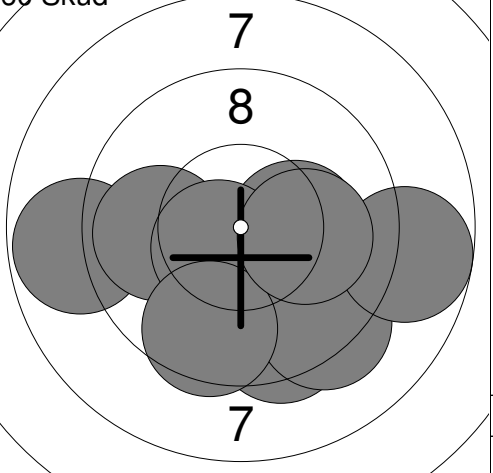


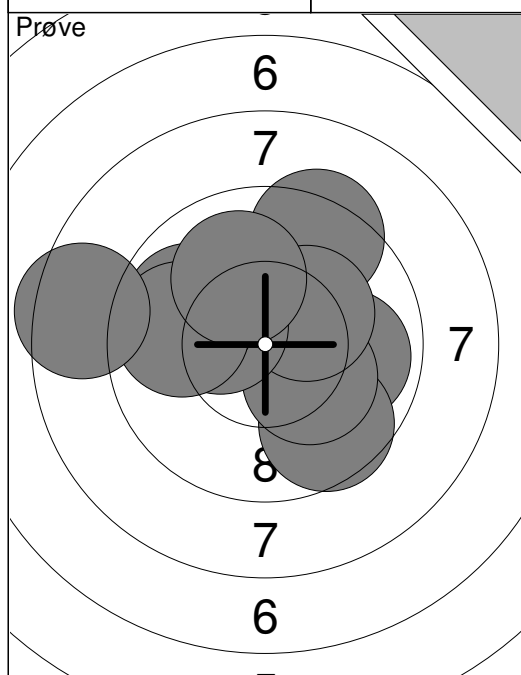
31: 9.3	↗
32: 9.0	→
33: 8.5	→
34: 9.4	→
35: 8.8	↗
36: *10.3	↓
37: 8.4	↗
38: 8.3	←
39: 9.1	↘
40: 9.4	↗
Serie 87.0	
Total 338.0	

<p>Prøve</p> 	<table border="1" style="width:100%; border-collapse: collapse;"> <tr><td>1:</td><td>10.1</td><td>↘</td></tr> <tr><td>2:</td><td>9.3</td><td>→</td></tr> <tr><td>3:</td><td>9.7</td><td>→</td></tr> <tr><td>4:</td><td>*10.7</td><td>←</td></tr> <tr><td>5:</td><td>*10.7</td><td>←</td></tr> <tr><td>6:</td><td>8.9</td><td>→</td></tr> <tr><td>7:</td><td>9.8</td><td>→</td></tr> <tr><td>8:</td><td>9.9</td><td>↘</td></tr> <tr><td>9:</td><td>*10.5</td><td>→</td></tr> <tr><td>10:</td><td>*10.6</td><td>↓</td></tr> <tr><td colspan="2">Serie</td><td>94.0</td></tr> <tr><td colspan="2">Total</td><td>0.0</td></tr> </table>	1:	10.1	↘	2:	9.3	→	3:	9.7	→	4:	*10.7	←	5:	*10.7	←	6:	8.9	→	7:	9.8	→	8:	9.9	↘	9:	*10.5	→	10:	*10.6	↓	Serie		94.0	Total		0.0	<p>Prøve</p>  <table border="1" style="width:100%; border-collapse: collapse;"> <tr><td>11:</td><td>*10.4</td><td>↓</td></tr> <tr><td>12:</td><td>*10.2</td><td>↗</td></tr> <tr><td>13:</td><td>9.6</td><td>↓</td></tr> <tr><td>14:</td><td>*10.6</td><td>←</td></tr> <tr><td>15:</td><td>*10.3</td><td>↘</td></tr> <tr><td colspan="2">Serie</td><td>49.0</td></tr> <tr><td colspan="2">Total</td><td>0.0</td></tr> </table>	11:	*10.4	↓	12:	*10.2	↗	13:	9.6	↓	14:	*10.6	←	15:	*10.3	↘	Serie		49.0	Total		0.0															
1:	10.1	↘																																																																								
2:	9.3	→																																																																								
3:	9.7	→																																																																								
4:	*10.7	←																																																																								
5:	*10.7	←																																																																								
6:	8.9	→																																																																								
7:	9.8	→																																																																								
8:	9.9	↘																																																																								
9:	*10.5	→																																																																								
10:	*10.6	↓																																																																								
Serie		94.0																																																																								
Total		0.0																																																																								
11:	*10.4	↓																																																																								
12:	*10.2	↗																																																																								
13:	9.6	↓																																																																								
14:	*10.6	←																																																																								
15:	*10.3	↘																																																																								
Serie		49.0																																																																								
Total		0.0																																																																								
<p>60 Skud</p> 	<table border="1" style="width:100%; border-collapse: collapse;"> <tr><td>1:</td><td>9.9</td><td>↓</td></tr> <tr><td>2:</td><td>*10.4</td><td>→</td></tr> <tr><td>3:</td><td>10.0</td><td>←</td></tr> <tr><td>4:</td><td>*10.5</td><td>↗</td></tr> <tr><td>5:</td><td>*10.8</td><td>↗</td></tr> <tr><td>6:</td><td>*10.2</td><td>←</td></tr> <tr><td>7:</td><td>*10.5</td><td>→</td></tr> <tr><td>8:</td><td>*10.2</td><td>→</td></tr> <tr><td>9:</td><td>*10.7</td><td>↓</td></tr> <tr><td>10:</td><td>*10.5</td><td>↗</td></tr> <tr><td colspan="2">Serie</td><td>99.0</td></tr> <tr><td colspan="2">Total</td><td>99.0</td></tr> </table>	1:	9.9	↓	2:	*10.4	→	3:	10.0	←	4:	*10.5	↗	5:	*10.8	↗	6:	*10.2	←	7:	*10.5	→	8:	*10.2	→	9:	*10.7	↓	10:	*10.5	↗	Serie		99.0	Total		99.0	<p>60 Skud</p>  <table border="1" style="width:100%; border-collapse: collapse;"> <tr><td>11:</td><td>*10.3</td><td>↓</td></tr> <tr><td>12:</td><td>*10.5</td><td>→</td></tr> <tr><td>13:</td><td>*10.6</td><td>←</td></tr> <tr><td>14:</td><td>*10.2</td><td>↓</td></tr> <tr><td>15:</td><td>*10.5</td><td>→</td></tr> <tr><td>16:</td><td>10.1</td><td>↘</td></tr> <tr><td>17:</td><td>*10.5</td><td>↘</td></tr> <tr><td>18:</td><td>9.7</td><td>↘</td></tr> <tr><td>19:</td><td>*10.4</td><td>↓</td></tr> <tr><td>20:</td><td>10.0</td><td>↘</td></tr> <tr><td colspan="2">Serie</td><td>99.0</td></tr> <tr><td colspan="2">Total</td><td>198.0</td></tr> </table>	11:	*10.3	↓	12:	*10.5	→	13:	*10.6	←	14:	*10.2	↓	15:	*10.5	→	16:	10.1	↘	17:	*10.5	↘	18:	9.7	↘	19:	*10.4	↓	20:	10.0	↘	Serie		99.0	Total		198.0
1:	9.9	↓																																																																								
2:	*10.4	→																																																																								
3:	10.0	←																																																																								
4:	*10.5	↗																																																																								
5:	*10.8	↗																																																																								
6:	*10.2	←																																																																								
7:	*10.5	→																																																																								
8:	*10.2	→																																																																								
9:	*10.7	↓																																																																								
10:	*10.5	↗																																																																								
Serie		99.0																																																																								
Total		99.0																																																																								
11:	*10.3	↓																																																																								
12:	*10.5	→																																																																								
13:	*10.6	←																																																																								
14:	*10.2	↓																																																																								
15:	*10.5	→																																																																								
16:	10.1	↘																																																																								
17:	*10.5	↘																																																																								
18:	9.7	↘																																																																								
19:	*10.4	↓																																																																								
20:	10.0	↘																																																																								
Serie		99.0																																																																								
Total		198.0																																																																								
<p>60 Skud</p> 	<table border="1" style="width:100%; border-collapse: collapse;"> <tr><td>21:</td><td>*10.2</td><td>→</td></tr> <tr><td>22:</td><td>*10.5</td><td>↓</td></tr> <tr><td>23:</td><td>9.8</td><td>↗</td></tr> <tr><td>24:</td><td>9.9</td><td>↘</td></tr> <tr><td>25:</td><td>*10.8</td><td>↗</td></tr> <tr><td>26:</td><td>*10.2</td><td>↓</td></tr> <tr><td>27:</td><td>9.9</td><td>←</td></tr> <tr><td>28:</td><td>*10.2</td><td>↘</td></tr> <tr><td>29:</td><td>*10.5</td><td>←</td></tr> <tr><td>30:</td><td>*10.8</td><td>↘</td></tr> <tr><td colspan="2">Serie</td><td>97.0</td></tr> <tr><td colspan="2">Total</td><td>295.0</td></tr> </table>	21:	*10.2	→	22:	*10.5	↓	23:	9.8	↗	24:	9.9	↘	25:	*10.8	↗	26:	*10.2	↓	27:	9.9	←	28:	*10.2	↘	29:	*10.5	←	30:	*10.8	↘	Serie		97.0	Total		295.0	<p>60 Skud</p>  <table border="1" style="width:100%; border-collapse: collapse;"> <tr><td>31:</td><td>*10.5</td><td>↓</td></tr> <tr><td>32:</td><td>*10.2</td><td>↓</td></tr> <tr><td>33:</td><td>*10.2</td><td>↓</td></tr> <tr><td>34:</td><td>*10.4</td><td>↘</td></tr> <tr><td>35:</td><td>*10.7</td><td>↗</td></tr> <tr><td>36:</td><td>*10.7</td><td>↗</td></tr> <tr><td>37:</td><td>9.4</td><td>↘</td></tr> <tr><td>38:</td><td>*10.3</td><td>↗</td></tr> <tr><td>39:</td><td>*10.4</td><td>←</td></tr> <tr><td>40:</td><td>*10.6</td><td>↓</td></tr> <tr><td colspan="2">Serie</td><td>99.0</td></tr> <tr><td colspan="2">Total</td><td>394.0</td></tr> </table>	31:	*10.5	↓	32:	*10.2	↓	33:	*10.2	↓	34:	*10.4	↘	35:	*10.7	↗	36:	*10.7	↗	37:	9.4	↘	38:	*10.3	↗	39:	*10.4	←	40:	*10.6	↓	Serie		99.0	Total		394.0
21:	*10.2	→																																																																								
22:	*10.5	↓																																																																								
23:	9.8	↗																																																																								
24:	9.9	↘																																																																								
25:	*10.8	↗																																																																								
26:	*10.2	↓																																																																								
27:	9.9	←																																																																								
28:	*10.2	↘																																																																								
29:	*10.5	←																																																																								
30:	*10.8	↘																																																																								
Serie		97.0																																																																								
Total		295.0																																																																								
31:	*10.5	↓																																																																								
32:	*10.2	↓																																																																								
33:	*10.2	↓																																																																								
34:	*10.4	↘																																																																								
35:	*10.7	↗																																																																								
36:	*10.7	↗																																																																								
37:	9.4	↘																																																																								
38:	*10.3	↗																																																																								
39:	*10.4	←																																																																								
40:	*10.6	↓																																																																								
Serie		99.0																																																																								
Total		394.0																																																																								
<p>60 Skud</p> 	<table border="1" style="width:100%; border-collapse: collapse;"> <tr><td>41:</td><td>*10.3</td><td>←</td></tr> <tr><td>42:</td><td>*10.7</td><td>↗</td></tr> <tr><td>43:</td><td>*10.6</td><td>↘</td></tr> <tr><td>44:</td><td>10.1</td><td>↘</td></tr> <tr><td>45:</td><td>9.6</td><td>↘</td></tr> <tr><td>46:</td><td>*10.4</td><td>←</td></tr> <tr><td>47:</td><td>10.1</td><td>←</td></tr> <tr><td>48:</td><td>9.9</td><td>↗</td></tr> <tr><td>49:</td><td>*10.7</td><td>↗</td></tr> <tr><td>50:</td><td>*10.6</td><td>↘</td></tr> <tr><td colspan="2">Serie</td><td>98.0</td></tr> <tr><td colspan="2">Total</td><td>492.0</td></tr> </table>	41:	*10.3	←	42:	*10.7	↗	43:	*10.6	↘	44:	10.1	↘	45:	9.6	↘	46:	*10.4	←	47:	10.1	←	48:	9.9	↗	49:	*10.7	↗	50:	*10.6	↘	Serie		98.0	Total		492.0	<p>60 Skud</p>  <table border="1" style="width:100%; border-collapse: collapse;"> <tr><td>51:</td><td>*10.7</td><td>↗</td></tr> <tr><td>52:</td><td>*10.7</td><td>→</td></tr> <tr><td>53:</td><td>*10.6</td><td>↗</td></tr> <tr><td>54:</td><td>10.0</td><td>←</td></tr> <tr><td>55:</td><td>9.9</td><td>↘</td></tr> <tr><td>56:</td><td>*10.5</td><td>↘</td></tr> <tr><td>57:</td><td>*10.6</td><td>↘</td></tr> <tr><td>58:</td><td>*10.3</td><td>↘</td></tr> <tr><td>59:</td><td>9.8</td><td>→</td></tr> <tr><td>60:</td><td>*10.4</td><td>↘</td></tr> <tr><td colspan="2">Serie</td><td>98.0</td></tr> <tr><td colspan="2">Total</td><td>590.0</td></tr> </table>	51:	*10.7	↗	52:	*10.7	→	53:	*10.6	↗	54:	10.0	←	55:	9.9	↘	56:	*10.5	↘	57:	*10.6	↘	58:	*10.3	↘	59:	9.8	→	60:	*10.4	↘	Serie		98.0	Total		590.0
41:	*10.3	←																																																																								
42:	*10.7	↗																																																																								
43:	*10.6	↘																																																																								
44:	10.1	↘																																																																								
45:	9.6	↘																																																																								
46:	*10.4	←																																																																								
47:	10.1	←																																																																								
48:	9.9	↗																																																																								
49:	*10.7	↗																																																																								
50:	*10.6	↘																																																																								
Serie		98.0																																																																								
Total		492.0																																																																								
51:	*10.7	↗																																																																								
52:	*10.7	→																																																																								
53:	*10.6	↗																																																																								
54:	10.0	←																																																																								
55:	9.9	↘																																																																								
56:	*10.5	↘																																																																								
57:	*10.6	↘																																																																								
58:	*10.3	↘																																																																								
59:	9.8	→																																																																								
60:	*10.4	↘																																																																								
Serie		98.0																																																																								
Total		590.0																																																																								

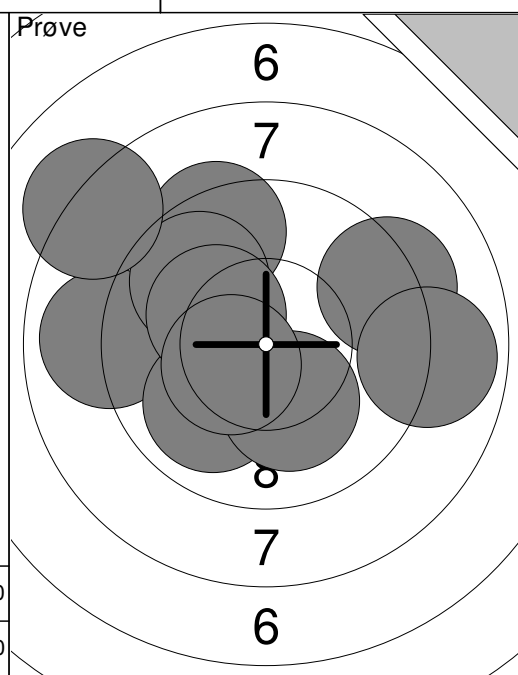
<p>Prøve</p>	<p>1: *10.7 ↗ 2: 10.0 ↑ 3: *10.8 ↗ 4: *10.7 ← 5: 8.0 → 6: 9.7 ← 7: *10.8 ↑ 8: 10.1 ↘ 9: *10.8 ↘ 10: *10.3 ←</p> <p>Serie 97.0 Total 0.0</p>	<p>60 Skud</p> <p>1: *10.6 ↓ 2: *10.6 ↑ 3: 10.1 ↓ 4: 10.1 ← 5: *10.5 ↗ 6: *10.8 ↑ 7: 9.3 ← 8: *10.7 → 9: 10.0 ↙ 10: *10.5 ↗</p> <p>Serie 99.0 Total 99.0</p>
<p>60 Skud</p>	<p>11: *10.4 ↑ 12: 9.9 ↑ 13: 9.9 ↗ 14: 10.0 ↘ 15: *10.5 → 16: *10.5 ← 17: *10.8 ↗ 18: *10.2 ↗ 19: *10.7 ↗ 20: *10.8 ↘</p> <p>Serie 98.0 Total 197.0</p>	<p>60 Skud</p> <p>21: 10.1 ↘ 22: *10.5 ↗ 23: *10.5 ↗ 24: *10.5 ← 25: *10.6 ← 26: 9.8 → 27: 9.7 → 28: *10.5 ↙ 29: *10.2 ↓ 30: *10.2 ↓</p> <p>Serie 98.0 Total 295.0</p>
<p>60 Skud</p>	<p>31: *10.6 ← 32: 10.0 ↗ 33: 9.8 ← 34: *10.7 ← 35: *10.3 ↗ 36: *10.3 ↑ 37: *10.2 ↓ 38: *10.2 ← 39: *10.2 ↑ 40: *10.7 ↓</p> <p>Serie 99.0 Total 394.0</p>	<p>60 Skud</p> <p>41: *10.2 → 42: *10.2 → 43: *10.2 ↓ 44: *10.6 ↗ 45: *10.5 ← 46: *10.7 ↓ 47: 10.1 ↗ 48: *10.6 ↙ 49: 9.7 ↙ 50: 10.1 ↘</p> <p>Serie 99.0 Total 493.0</p>
<p>60 Skud</p>	<p>51: *10.5 ← 52: *10.5 ↑ 53: *10.4 ↗ 54: 9.8 ← 55: *10.6 ↘ 56: *10.2 ↘ 57: *10.6 ↘ 58: *10.7 ↑ 59: *10.3 ← 60: 9.5 ↗</p> <p>Serie 98.0 Total 591.0</p>	

<p>Prøve</p> 	<table border="1" style="width:100%; border-collapse: collapse;"> <tr><td>1:</td><td>8.9</td><td>↑</td></tr> <tr><td>2:</td><td>*10.6</td><td>↓</td></tr> <tr><td>3:</td><td>*10.6</td><td>→</td></tr> <tr><td>4:</td><td>9.3</td><td>→</td></tr> <tr><td>5:</td><td>9.7</td><td>→</td></tr> <tr><td>6:</td><td>*10.6</td><td>→</td></tr> <tr><td>7:</td><td>10.0</td><td>↑</td></tr> <tr><td>8:</td><td>9.9</td><td>↗</td></tr> <tr><td>9:</td><td>*10.7</td><td>←</td></tr> <tr><td>10:</td><td>10.1</td><td>↗</td></tr> <tr><td colspan="2">Serie</td><td>95.0</td></tr> <tr><td colspan="2">Total</td><td>0.0</td></tr> </table>	1:	8.9	↑	2:	*10.6	↓	3:	*10.6	→	4:	9.3	→	5:	9.7	→	6:	*10.6	→	7:	10.0	↑	8:	9.9	↗	9:	*10.7	←	10:	10.1	↗	Serie		95.0	Total		0.0	<p>60 Skud</p>  <table border="1" style="width:100%; border-collapse: collapse;"> <tr><td>1:</td><td>10.0</td><td>←</td></tr> <tr><td>2:</td><td>10.0</td><td>→</td></tr> <tr><td>3:</td><td>*10.5</td><td>↗</td></tr> <tr><td>4:</td><td>*10.2</td><td>↓</td></tr> <tr><td>5:</td><td>9.0</td><td>←</td></tr> <tr><td>6:</td><td>*10.5</td><td>↓</td></tr> <tr><td>7:</td><td>*10.3</td><td>↗</td></tr> <tr><td>8:</td><td>10.0</td><td>↙</td></tr> <tr><td>9:</td><td>10.1</td><td>←</td></tr> <tr><td>10:</td><td>*10.7</td><td>↗</td></tr> <tr><td colspan="2">Serie</td><td>99.0</td></tr> <tr><td colspan="2">Total</td><td>99.0</td></tr> </table>	1:	10.0	←	2:	10.0	→	3:	*10.5	↗	4:	*10.2	↓	5:	9.0	←	6:	*10.5	↓	7:	*10.3	↗	8:	10.0	↙	9:	10.1	←	10:	*10.7	↗	Serie		99.0	Total		99.0
1:	8.9	↑																																																																								
2:	*10.6	↓																																																																								
3:	*10.6	→																																																																								
4:	9.3	→																																																																								
5:	9.7	→																																																																								
6:	*10.6	→																																																																								
7:	10.0	↑																																																																								
8:	9.9	↗																																																																								
9:	*10.7	←																																																																								
10:	10.1	↗																																																																								
Serie		95.0																																																																								
Total		0.0																																																																								
1:	10.0	←																																																																								
2:	10.0	→																																																																								
3:	*10.5	↗																																																																								
4:	*10.2	↓																																																																								
5:	9.0	←																																																																								
6:	*10.5	↓																																																																								
7:	*10.3	↗																																																																								
8:	10.0	↙																																																																								
9:	10.1	←																																																																								
10:	*10.7	↗																																																																								
Serie		99.0																																																																								
Total		99.0																																																																								
<p>60 Skud</p> 	<table border="1" style="width:100%; border-collapse: collapse;"> <tr><td>11:</td><td>10.0</td><td>↑</td></tr> <tr><td>12:</td><td>10.1</td><td>←</td></tr> <tr><td>13:</td><td>9.9</td><td>↑</td></tr> <tr><td>14:</td><td>*10.5</td><td>↓</td></tr> <tr><td>15:</td><td>9.8</td><td>←</td></tr> <tr><td>16:</td><td>9.4</td><td>↓</td></tr> <tr><td>17:</td><td>10.0</td><td>→</td></tr> <tr><td>18:</td><td>*10.7</td><td>←</td></tr> <tr><td>19:</td><td>*10.6</td><td>→</td></tr> <tr><td>20:</td><td>*10.5</td><td>↗</td></tr> <tr><td colspan="2">Serie</td><td>97.0</td></tr> <tr><td colspan="2">Total</td><td>196.0</td></tr> </table>	11:	10.0	↑	12:	10.1	←	13:	9.9	↑	14:	*10.5	↓	15:	9.8	←	16:	9.4	↓	17:	10.0	→	18:	*10.7	←	19:	*10.6	→	20:	*10.5	↗	Serie		97.0	Total		196.0	<p>60 Skud</p>  <table border="1" style="width:100%; border-collapse: collapse;"> <tr><td>21:</td><td>10.0</td><td>←</td></tr> <tr><td>22:</td><td>*10.2</td><td>↑</td></tr> <tr><td>23:</td><td>*10.3</td><td>↑</td></tr> <tr><td>24:</td><td>*10.7</td><td>→</td></tr> <tr><td>25:</td><td>*10.7</td><td>↑</td></tr> <tr><td>26:</td><td>*10.2</td><td>↑</td></tr> <tr><td>27:</td><td>9.3</td><td>←</td></tr> <tr><td>28:</td><td>10.0</td><td>↑</td></tr> <tr><td>29:</td><td>*10.6</td><td>↓</td></tr> <tr><td>30:</td><td>*10.2</td><td>←</td></tr> <tr><td colspan="2">Serie</td><td>99.0</td></tr> <tr><td colspan="2">Total</td><td>295.0</td></tr> </table>	21:	10.0	←	22:	*10.2	↑	23:	*10.3	↑	24:	*10.7	→	25:	*10.7	↑	26:	*10.2	↑	27:	9.3	←	28:	10.0	↑	29:	*10.6	↓	30:	*10.2	←	Serie		99.0	Total		295.0
11:	10.0	↑																																																																								
12:	10.1	←																																																																								
13:	9.9	↑																																																																								
14:	*10.5	↓																																																																								
15:	9.8	←																																																																								
16:	9.4	↓																																																																								
17:	10.0	→																																																																								
18:	*10.7	←																																																																								
19:	*10.6	→																																																																								
20:	*10.5	↗																																																																								
Serie		97.0																																																																								
Total		196.0																																																																								
21:	10.0	←																																																																								
22:	*10.2	↑																																																																								
23:	*10.3	↑																																																																								
24:	*10.7	→																																																																								
25:	*10.7	↑																																																																								
26:	*10.2	↑																																																																								
27:	9.3	←																																																																								
28:	10.0	↑																																																																								
29:	*10.6	↓																																																																								
30:	*10.2	←																																																																								
Serie		99.0																																																																								
Total		295.0																																																																								
<p>60 Skud</p> 	<table border="1" style="width:100%; border-collapse: collapse;"> <tr><td>31:</td><td>10.0</td><td>→</td></tr> <tr><td>32:</td><td>*10.2</td><td>→</td></tr> <tr><td>33:</td><td>*10.6</td><td>←</td></tr> <tr><td>34:</td><td>9.4</td><td>←</td></tr> <tr><td>35:</td><td>9.3</td><td>←</td></tr> <tr><td>36:</td><td>10.0</td><td>↑</td></tr> <tr><td>37:</td><td>*10.3</td><td>↑</td></tr> <tr><td>38:</td><td>9.8</td><td>←</td></tr> <tr><td>39:</td><td>*10.7</td><td>→</td></tr> <tr><td>40:</td><td>*10.2</td><td>→</td></tr> <tr><td colspan="2">Serie</td><td>97.0</td></tr> <tr><td colspan="2">Total</td><td>392.0</td></tr> </table>	31:	10.0	→	32:	*10.2	→	33:	*10.6	←	34:	9.4	←	35:	9.3	←	36:	10.0	↑	37:	*10.3	↑	38:	9.8	←	39:	*10.7	→	40:	*10.2	→	Serie		97.0	Total		392.0	<p>60 Skud</p>  <table border="1" style="width:100%; border-collapse: collapse;"> <tr><td>41:</td><td>10.0</td><td>←</td></tr> <tr><td>42:</td><td>*10.3</td><td>↑</td></tr> <tr><td>43:</td><td>9.1</td><td>←</td></tr> <tr><td>44:</td><td>8.9</td><td>←</td></tr> <tr><td>45:</td><td>9.5</td><td>↗</td></tr> <tr><td>46:</td><td>9.4</td><td>↗</td></tr> <tr><td>47:</td><td>*10.4</td><td>↓</td></tr> <tr><td>48:</td><td>*10.4</td><td>←</td></tr> <tr><td>49:</td><td>9.9</td><td>↗</td></tr> <tr><td>50:</td><td>*10.3</td><td>←</td></tr> <tr><td colspan="2">Serie</td><td>94.0</td></tr> <tr><td colspan="2">Total</td><td>486.0</td></tr> </table>	41:	10.0	←	42:	*10.3	↑	43:	9.1	←	44:	8.9	←	45:	9.5	↗	46:	9.4	↗	47:	*10.4	↓	48:	*10.4	←	49:	9.9	↗	50:	*10.3	←	Serie		94.0	Total		486.0
31:	10.0	→																																																																								
32:	*10.2	→																																																																								
33:	*10.6	←																																																																								
34:	9.4	←																																																																								
35:	9.3	←																																																																								
36:	10.0	↑																																																																								
37:	*10.3	↑																																																																								
38:	9.8	←																																																																								
39:	*10.7	→																																																																								
40:	*10.2	→																																																																								
Serie		97.0																																																																								
Total		392.0																																																																								
41:	10.0	←																																																																								
42:	*10.3	↑																																																																								
43:	9.1	←																																																																								
44:	8.9	←																																																																								
45:	9.5	↗																																																																								
46:	9.4	↗																																																																								
47:	*10.4	↓																																																																								
48:	*10.4	←																																																																								
49:	9.9	↗																																																																								
50:	*10.3	←																																																																								
Serie		94.0																																																																								
Total		486.0																																																																								
<p>60 Skud</p> 	<table border="1" style="width:100%; border-collapse: collapse;"> <tr><td>51:</td><td>10.1</td><td>←</td></tr> <tr><td>52:</td><td>*10.2</td><td>↓</td></tr> <tr><td>53:</td><td>*10.7</td><td>↓</td></tr> <tr><td>54:</td><td>*10.5</td><td>↗</td></tr> <tr><td>55:</td><td>*10.4</td><td>←</td></tr> <tr><td>56:</td><td>*10.3</td><td>←</td></tr> <tr><td>57:</td><td>*10.7</td><td>↓</td></tr> <tr><td>58:</td><td>9.6</td><td>←</td></tr> <tr><td>59:</td><td>9.3</td><td>←</td></tr> <tr><td>60:</td><td>10.0</td><td>←</td></tr> <tr><td colspan="2">Serie</td><td>98.0</td></tr> <tr><td colspan="2">Total</td><td>584.0</td></tr> </table>	51:	10.1	←	52:	*10.2	↓	53:	*10.7	↓	54:	*10.5	↗	55:	*10.4	←	56:	*10.3	←	57:	*10.7	↓	58:	9.6	←	59:	9.3	←	60:	10.0	←	Serie		98.0	Total		584.0																																					
51:	10.1	←																																																																								
52:	*10.2	↓																																																																								
53:	*10.7	↓																																																																								
54:	*10.5	↗																																																																								
55:	*10.4	←																																																																								
56:	*10.3	←																																																																								
57:	*10.7	↓																																																																								
58:	9.6	←																																																																								
59:	9.3	←																																																																								
60:	10.0	←																																																																								
Serie		98.0																																																																								
Total		584.0																																																																								

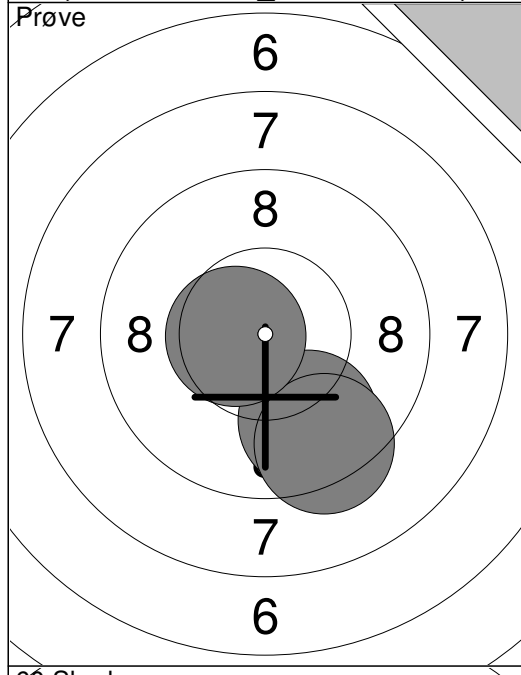
<p>Prøve</p> 	<p>1: 9.1 → 2: *10.2 ↘ 3: *10.5 ↑ 4: 9.4 ↘ 5: 9.8 ↙ 6: *10.3 ↑ 7: 8.3 ↗ 8: 9.5 ← 9: 10.1 ← 10: *10.2 ↑</p> <p>Serie 94.0 Total 0.0</p>	<p>Prøve</p> 	<p>11: *10.5 ←</p> <p>Serie 10.0 Total 0.0</p>
<p>60 Skud</p> 	<p>1: 9.7 ↓ 2: 9.9 ← 3: 9.7 ↗ 4: *10.3 ↓ 5: 9.9 ← 6: 9.4 ↘ 7: 9.7 → 8: *10.3 ← 9: 9.7 → 10: *10.2 ↗</p> <p>Serie 93.0 Total 93.0</p>	<p>60 Skud</p> 	<p>11: 9.0 → 12: 9.6 ↘ 13: 9.3 → 14: *10.4 ← 15: 9.8 ↘ 16: 9.2 → 17: *10.3 ↓ 18: 9.4 → 19: *10.5 ↗ 20: 9.2 ←</p> <p>Serie 93.0 Total 186.0</p>
<p>60 Skud</p> 	<p>21: 9.8 ← 22: 9.5 ↓ 23: 9.9 ↗ 24: *10.6 ↗ 25: 9.0 → 26: *10.4 → 27: 9.6 → 28: 9.3 ↘ 29: 9.9 ↓ 30: *10.5 ←</p> <p>Serie 93.0 Total 279.0</p>	<p>60 Skud</p> 	<p>31: 9.9 ↗ 32: *10.5 ↗ 33: 10.0 ↗ 34: 8.9 ↗ 35: 0.0 ↑ 36: 8.6 → 37: 9.8 ↗ 38: *10.7 ← 39: *10.3 ← 40: 9.9 →</p> <p>Serie 83.0 Total 362.0</p>
<p>60 Skud</p> 	<p>41: 10.1 ↓ 42: 8.7 ← 43: *10.2 ↓ 44: 9.8 ↘ 45: *10.4 ↗ 46: *10.5 ↗ 47: *10.2 ↓ 48: 9.9 ↗ 49: 10.1 ↘ 50: 8.6 ↘</p> <p>Serie 94.0 Total 456.0</p>	<p>60 Skud</p> 	<p>51: 8.8 ← 52: 9.4 ↘ 53: *10.4 ↘ 54: 9.9 ← 55: *10.2 → 56: *10.6 ↘ 57: 9.3 ↘ 58: 8.7 → 59: 9.6 ↓ 60: 10.1 →</p> <p>Serie 92.0 Total 548.0</p>



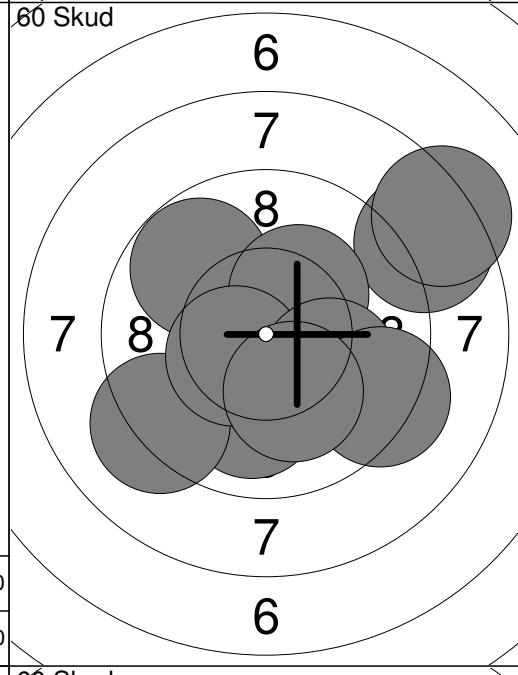
1:	9.9	→
2:	9.6	↘
3:	*10.2	↘
4:	9.4	↗
5:	*10.3	↗
6:	*10.3	↖
7:	9.9	↖
8:	9.8	←
9:	10.0	↗
10:	8.5	←
Serie		93.0
Total		0.0



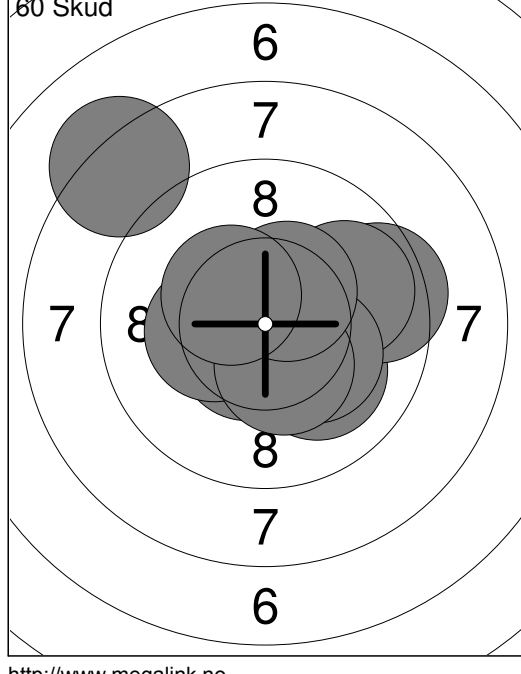
11:	9.4	↗
12:	9.0	←
13:	9.8	↗
14:	9.9	↘
15:	*10.2	↖
16:	*10.2	↘
17:	8.1	↗
18:	9.2	↗
19:	8.9	→
20:	*10.4	↖
Serie		91.0
Total		0.0



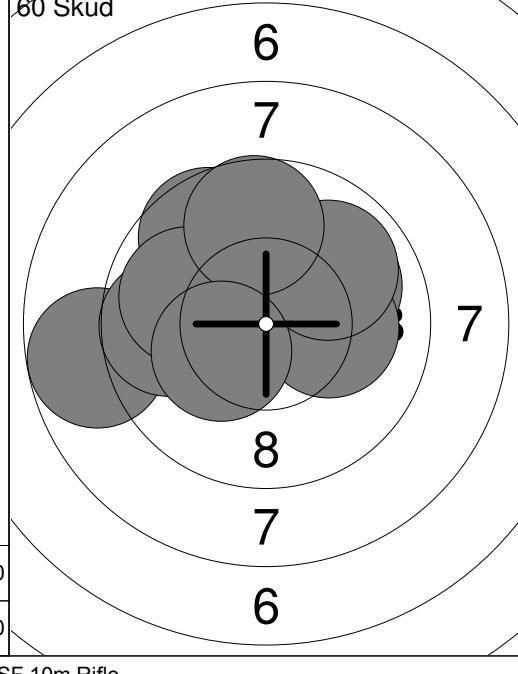
21:	9.7	↘
22:	9.4	↘
23:	*10.6	←
Serie		28.0
Total		0.0



1:	8.6	↗
2:	10.0	↘
3:	9.8	↖
4:	*10.3	↗
5:	8.3	↗
6:	9.2	↘
7:	*10.5	↖
8:	10.0	→
9:	9.3	↘
10:	10.1	↘
Serie		93.0
Total		93.0

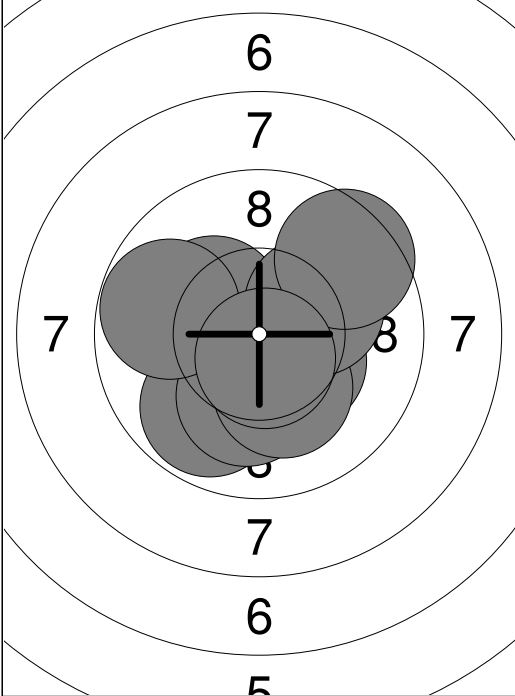


11:	10.1	↘
12:	*10.5	↘
13:	9.5	→
14:	*10.3	←
15:	9.8	↗
16:	*10.2	↘
17:	*10.4	↘
18:	*10.5	↗
19:	8.2	↗
20:	*10.4	↖
Serie		96.0
Total		189.0



21:	8.7	←
22:	*10.2	→
23:	10.0	↗
24:	10.1	→
25:	9.7	←
26:	9.6	↗
27:	9.9	↖
28:	9.9	↗
29:	9.7	↗
30:	*10.3	↖
Serie		93.0
Total		282.0

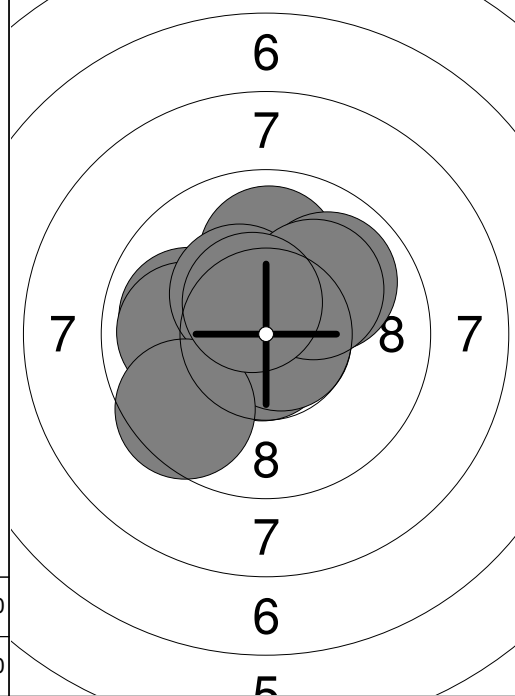
60 Skud



31:	*10.4	↘
32:	9.8	↙
33:	*10.3	↓
34:	10.1	↓
35:	*10.2	↓
36:	*10.3	↖
37:	9.8	←
38:	*10.2	↗
39:	9.5	↗
40:	*10.6	↓

Serie	97.0
Total	379.0

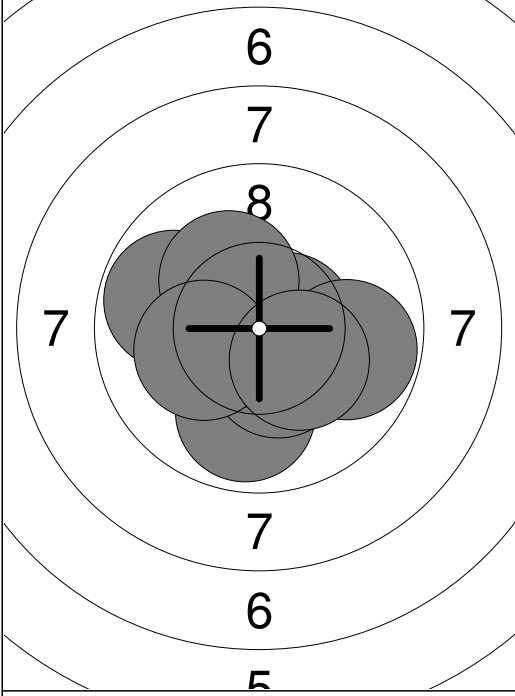
60 Skud



41:	10.0	↑
42:	9.9	↗
43:	9.9	←
44:	*10.7	↓
45:	9.9	←
46:	*10.3	↖
47:	*10.7	↗
48:	10.1	↗
49:	9.5	↙
50:	*10.5	↖

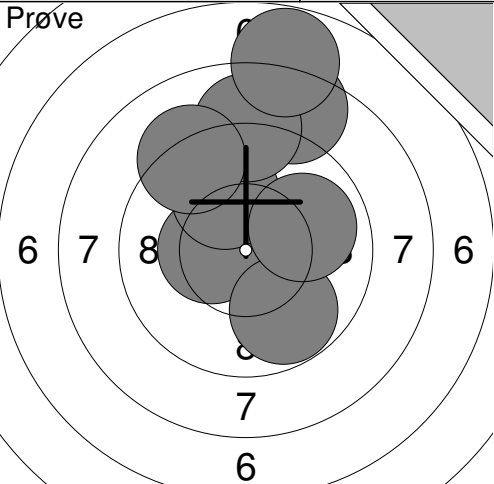
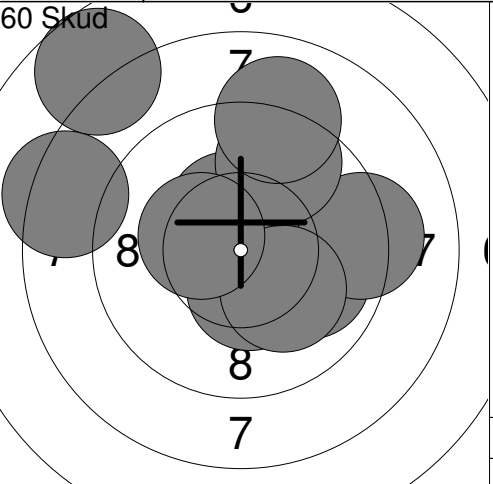
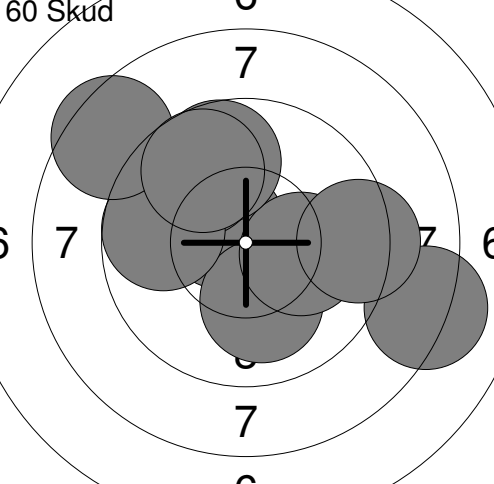
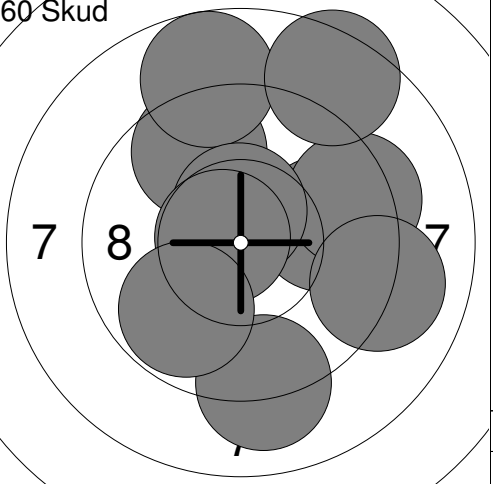
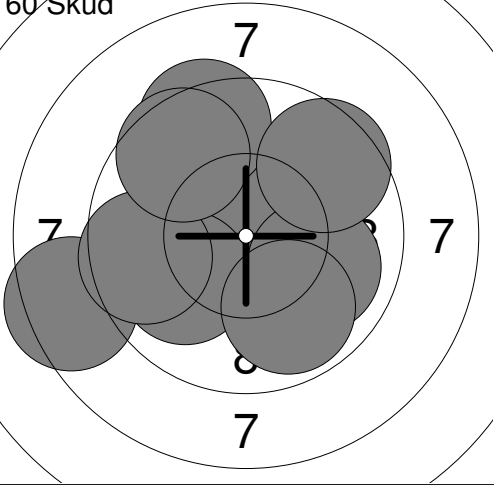
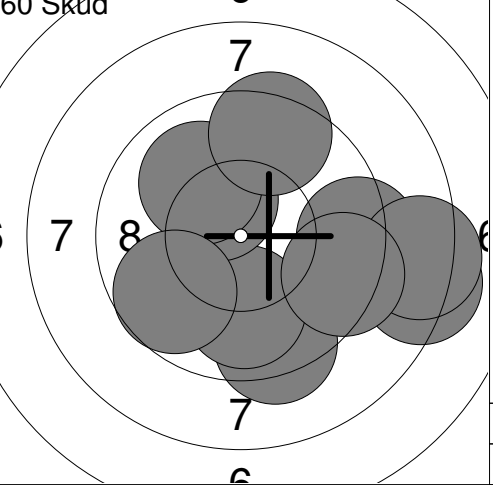
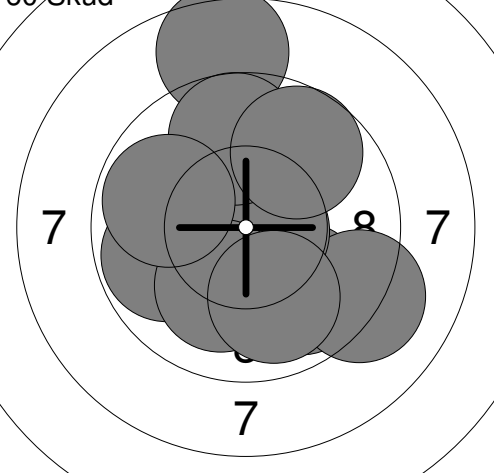

Serie	96.0
Total	475.0

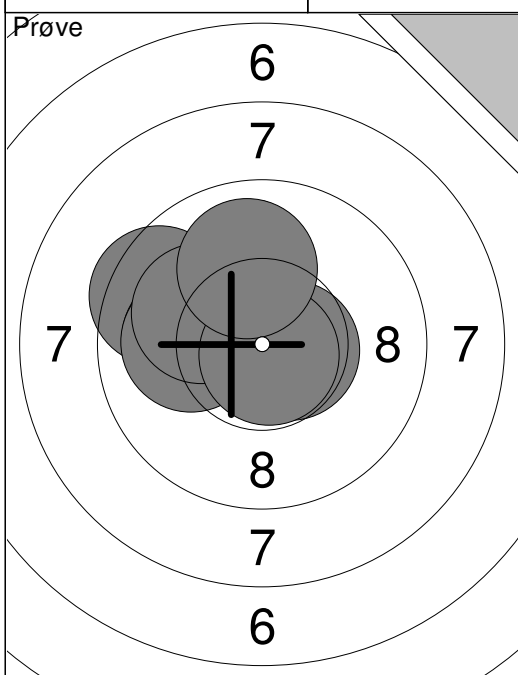
60 Skud



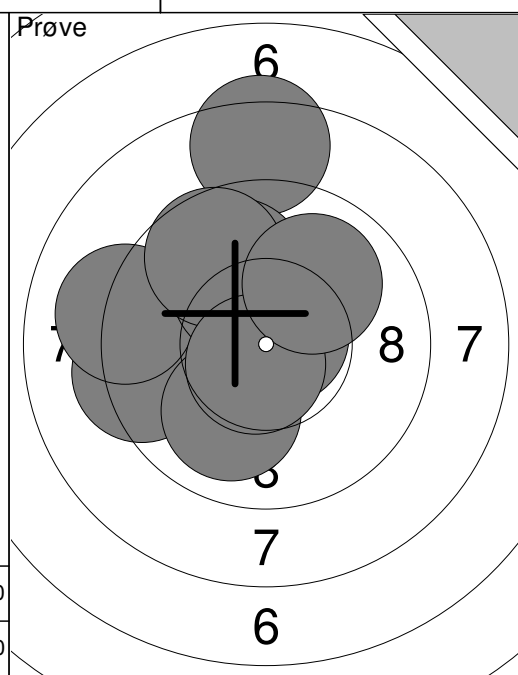
51:	9.9	↓
52:	*10.4	↓
53:	9.8	←
54:	*10.6	←
55:	*10.6	→
56:	*10.5	←
57:	*10.2	↖
58:	*10.2	←
59:	9.8	→
60:	*10.3	↘

Serie	97.0
Total	572.0

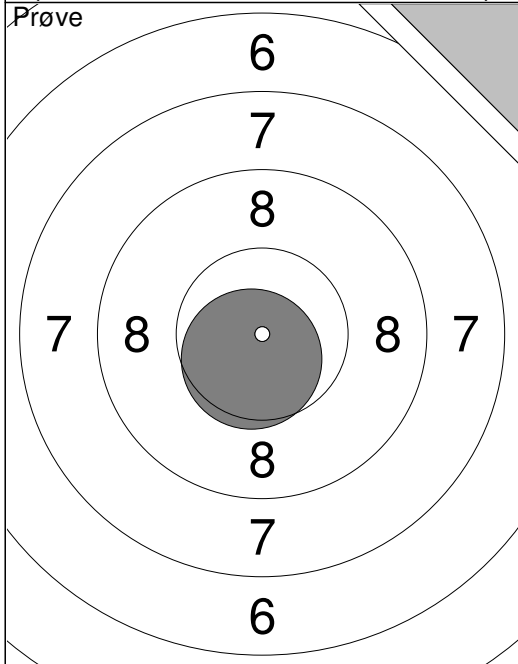
<p>Prøve</p> 	<p>60 Skud</p> 	<table style="width:100%; border-collapse: collapse;"> <tr><td>1: 8.5</td><td>↗</td></tr> <tr><td>2: 9.4</td><td>↗</td></tr> <tr><td>3: *10.4</td><td>↖</td></tr> <tr><td>4: 10.0</td><td>↗</td></tr> <tr><td>5: 9.8</td><td>↘</td></tr> <tr><td>6: 8.9</td><td>↗</td></tr> <tr><td>7: 9.2</td><td>↗</td></tr> <tr><td>8: 7.8</td><td>↗</td></tr> <tr><td>9: 9.9</td><td>↘</td></tr> <tr><td colspan="2"><hr/></td></tr> <tr><td>Serie</td><td style="text-align: right;">79.0</td></tr> <tr><td>Total</td><td style="text-align: right;">0.0</td></tr> </table>	1: 8.5	↗	2: 9.4	↗	3: *10.4	↖	4: 10.0	↗	5: 9.8	↘	6: 8.9	↗	7: 9.2	↗	8: 7.8	↗	9: 9.9	↘	<hr/>		Serie	79.0	Total	0.0		
1: 8.5	↗																											
2: 9.4	↗																											
3: *10.4	↖																											
4: 10.0	↗																											
5: 9.8	↘																											
6: 8.9	↗																											
7: 9.2	↗																											
8: 7.8	↗																											
9: 9.9	↘																											
<hr/>																												
Serie	79.0																											
Total	0.0																											
<p>60 Skud</p> 	<p>60 Skud</p> 	<table style="width:100%; border-collapse: collapse;"> <tr><td>11: 8.2</td><td>↘</td></tr> <tr><td>12: *10.6</td><td>↗</td></tr> <tr><td>13: 10.1</td><td>↘</td></tr> <tr><td>14: 9.7</td><td>↗</td></tr> <tr><td>15: 10.1</td><td>↘</td></tr> <tr><td>16: 9.7</td><td>↖</td></tr> <tr><td>17: 9.3</td><td>↘</td></tr> <tr><td>18: 8.5</td><td>↗</td></tr> <tr><td>19: 9.7</td><td>↗</td></tr> <tr><td>20: 9.7</td><td>↗</td></tr> <tr><td colspan="2"><hr/></td></tr> <tr><td>Serie</td><td style="text-align: right;">91.0</td></tr> <tr><td>Total</td><td style="text-align: right;">182.0</td></tr> </table>	11: 8.2	↘	12: *10.6	↗	13: 10.1	↘	14: 9.7	↗	15: 10.1	↘	16: 9.7	↖	17: 9.3	↘	18: 8.5	↗	19: 9.7	↗	20: 9.7	↗	<hr/>		Serie	91.0	Total	182.0
11: 8.2	↘																											
12: *10.6	↗																											
13: 10.1	↘																											
14: 9.7	↗																											
15: 10.1	↘																											
16: 9.7	↖																											
17: 9.3	↘																											
18: 8.5	↗																											
19: 9.7	↗																											
20: 9.7	↗																											
<hr/>																												
Serie	91.0																											
Total	182.0																											
<p>60 Skud</p> 	<p>60 Skud</p> 	<table style="width:100%; border-collapse: collapse;"> <tr><td>31: *10.7</td><td>↗</td></tr> <tr><td>32: 8.5</td><td>↖</td></tr> <tr><td>33: *10.8</td><td>↗</td></tr> <tr><td>34: 10.0</td><td>↖</td></tr> <tr><td>35: 9.6</td><td>↖</td></tr> <tr><td>36: 9.4</td><td>↗</td></tr> <tr><td>37: 10.0</td><td>↘</td></tr> <tr><td>38: 9.6</td><td>↗</td></tr> <tr><td>39: 9.6</td><td>↗</td></tr> <tr><td>40: 9.8</td><td>↘</td></tr> <tr><td colspan="2"><hr/></td></tr> <tr><td>Serie</td><td style="text-align: right;">93.0</td></tr> <tr><td>Total</td><td style="text-align: right;">365.0</td></tr> </table>	31: *10.7	↗	32: 8.5	↖	33: *10.8	↗	34: 10.0	↖	35: 9.6	↖	36: 9.4	↗	37: 10.0	↘	38: 9.6	↗	39: 9.6	↗	40: 9.8	↘	<hr/>		Serie	93.0	Total	365.0
31: *10.7	↗																											
32: 8.5	↖																											
33: *10.8	↗																											
34: 10.0	↖																											
35: 9.6	↖																											
36: 9.4	↗																											
37: 10.0	↘																											
38: 9.6	↗																											
39: 9.6	↗																											
40: 9.8	↘																											
<hr/>																												
Serie	93.0																											
Total	365.0																											
<p>60 Skud</p> 	<p>60 Skud</p> 	<table style="width:100%; border-collapse: collapse;"> <tr><td>41: 9.3</td><td>↘</td></tr> <tr><td>42: 9.2</td><td>↘</td></tr> <tr><td>43: 9.9</td><td>↘</td></tr> <tr><td>44: *10.3</td><td>↗</td></tr> <tr><td>45: 10.0</td><td>↗</td></tr> <tr><td>46: 8.3</td><td>↘</td></tr> <tr><td>47: 8.3</td><td>↘</td></tr> <tr><td>48: 9.4</td><td>↗</td></tr> <tr><td>49: 9.7</td><td>↖</td></tr> <tr><td>50: 9.4</td><td>↘</td></tr> <tr><td colspan="2"><hr/></td></tr> <tr><td>Serie</td><td style="text-align: right;">90.0</td></tr> <tr><td>Total</td><td style="text-align: right;">455.0</td></tr> </table>	41: 9.3	↘	42: 9.2	↘	43: 9.9	↘	44: *10.3	↗	45: 10.0	↗	46: 8.3	↘	47: 8.3	↘	48: 9.4	↗	49: 9.7	↖	50: 9.4	↘	<hr/>		Serie	90.0	Total	455.0
41: 9.3	↘																											
42: 9.2	↘																											
43: 9.9	↘																											
44: *10.3	↗																											
45: 10.0	↗																											
46: 8.3	↘																											
47: 8.3	↘																											
48: 9.4	↗																											
49: 9.7	↖																											
50: 9.4	↘																											
<hr/>																												
Serie	90.0																											
Total	455.0																											
<p>60 Skud</p>	<p>60 Skud</p>	<table style="width:100%; border-collapse: collapse;"> <tr><td>51: 9.8</td><td>↘</td></tr> <tr><td>52: 9.2</td><td>↘</td></tr> <tr><td>53: *10.7</td><td>↘</td></tr> <tr><td>54: 9.8</td><td>↖</td></tr> <tr><td>55: 8.6</td><td>↗</td></tr> <tr><td>56: 10.1</td><td>↘</td></tr> <tr><td>57: 9.7</td><td>↗</td></tr> <tr><td>58: 9.8</td><td>↖</td></tr> <tr><td>59: 9.7</td><td>↗</td></tr> <tr><td>60: 9.9</td><td>↘</td></tr> <tr><td colspan="2"><hr/></td></tr> <tr><td>Serie</td><td style="text-align: right;">91.0</td></tr> <tr><td>Total</td><td style="text-align: right;">546.0</td></tr> </table>	51: 9.8	↘	52: 9.2	↘	53: *10.7	↘	54: 9.8	↖	55: 8.6	↗	56: 10.1	↘	57: 9.7	↗	58: 9.8	↖	59: 9.7	↗	60: 9.9	↘	<hr/>		Serie	91.0	Total	546.0
51: 9.8	↘																											
52: 9.2	↘																											
53: *10.7	↘																											
54: 9.8	↖																											
55: 8.6	↗																											
56: 10.1	↘																											
57: 9.7	↗																											
58: 9.8	↖																											
59: 9.7	↗																											
60: 9.9	↘																											
<hr/>																												
Serie	91.0																											
Total	546.0																											



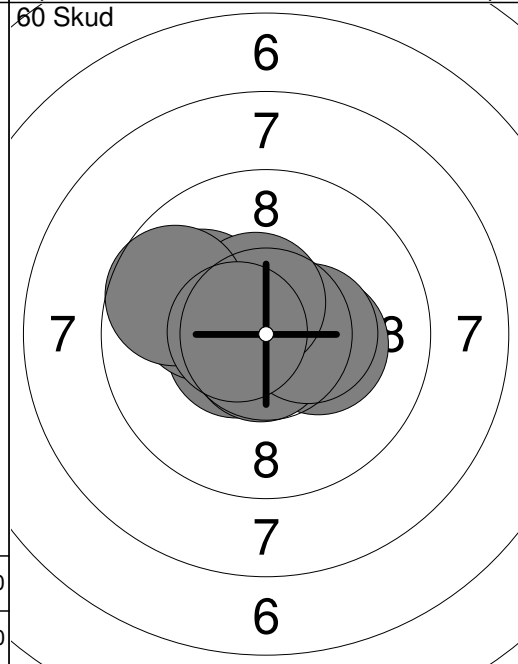
1:	*10.5	↗
2:	9.9	↗
3:	9.8	↗
4:	9.5	↗
5:	10.1	↖
6:	10.0	↖
7:	*10.6	→
8:	10.1	↗
9:	*10.8	↘
10:	10.0	↗
Serie		97.0
Total		0.0



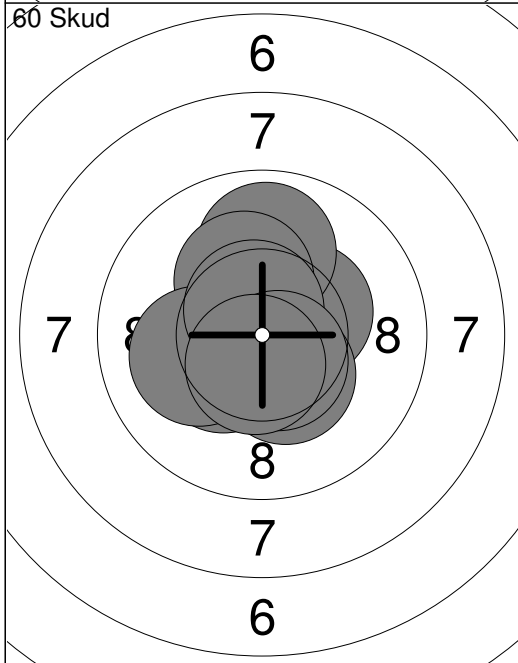
11:	9.3	↖
12:	*10.8	↗
13:	8.4	↑
14:	9.9	↗
15:	9.1	↖
16:	*10.2	↗
17:	10.0	↘
18:	9.7	↗
19:	*10.7	↘
20:	10.0	↗
Serie		94.0
Total		0.0



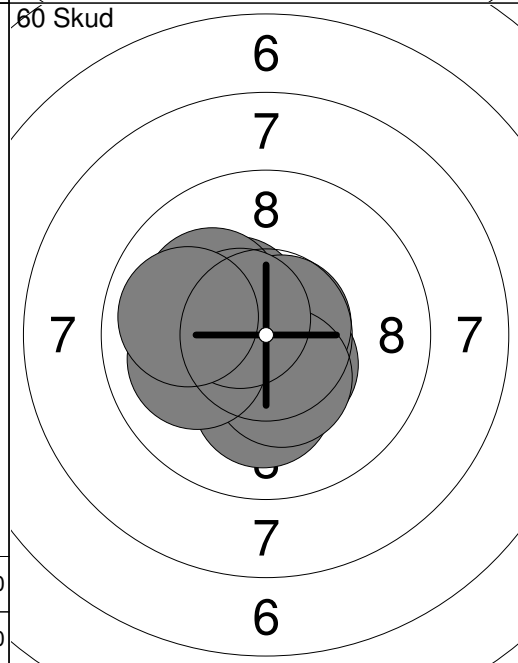
21:	*10.6	↘
Serie		10.0
Total		0.0



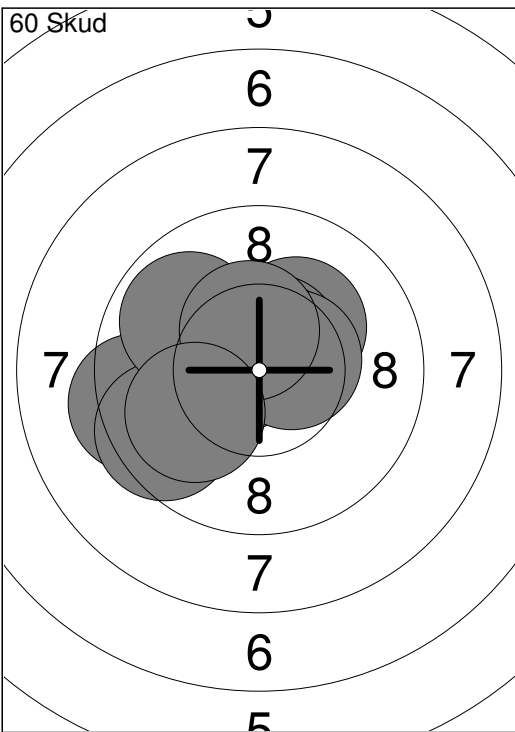
1:	*10.3	→
2:	10.0	↖
3:	*10.5	↖
4:	*10.8	↗
5:	10.1	↖
6:	*10.7	↘
7:	*10.4	→
8:	*10.5	↗
9:	9.7	↖
10:	*10.6	↖
Serie		99.0
Total		99.0



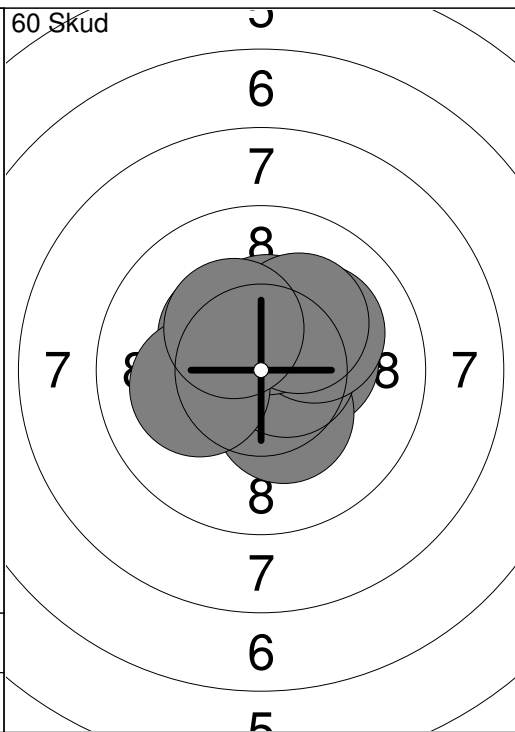
11:	*10.3	↖
12:	*10.7	↖
13:	*10.4	↗
14:	*10.4	↘
15:	9.9	↑
16:	*10.2	↗
17:	10.1	↖
18:	*10.6	↗
19:	*10.6	↘
20:	*10.6	↘
Serie		99.0
Total		198.0



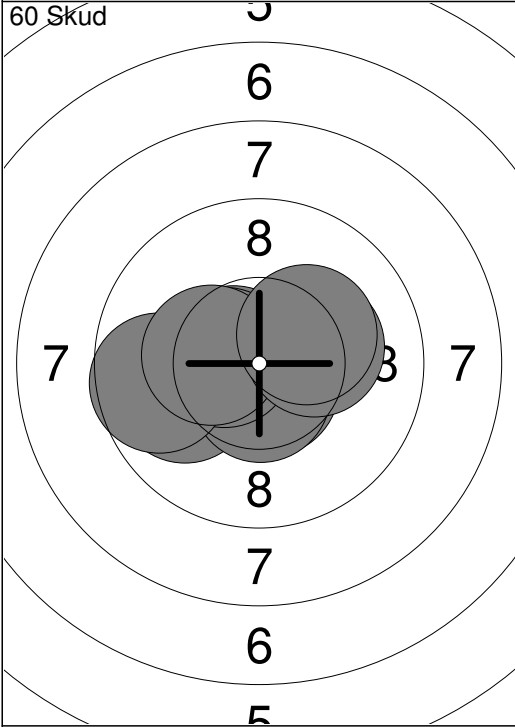
21:	*10.4	↖
22:	10.1	↘
23:	*10.5	↘
24:	*10.7	↗
25:	10.1	↖
26:	*10.3	↖
27:	*10.4	↘
28:	10.0	↖
29:	*10.6	↖
30:	9.9	↖
Serie		99.0
Total		297.0



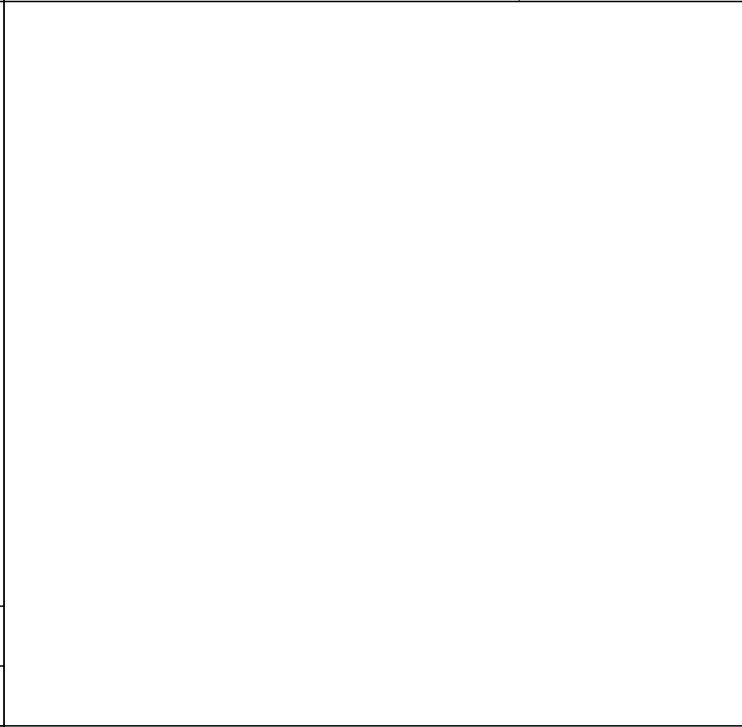
Serie	97.0
Total	394.0

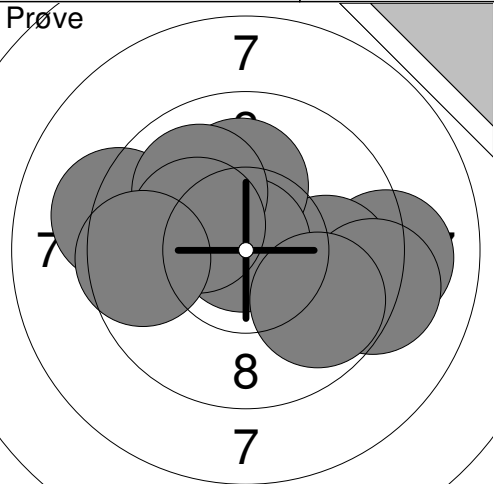
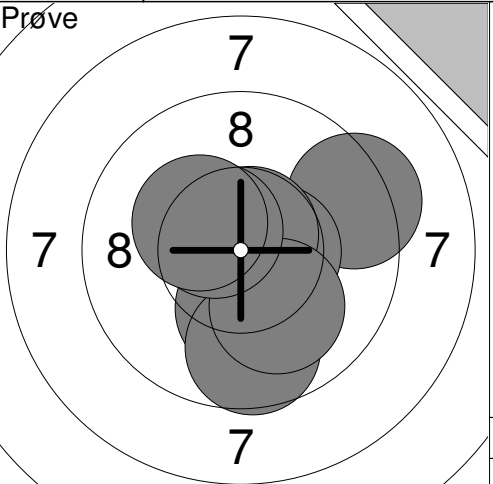
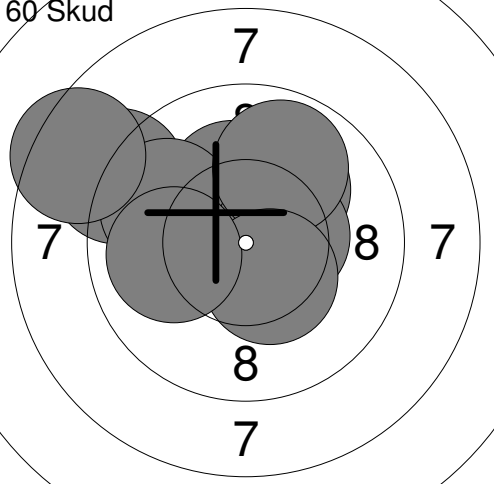
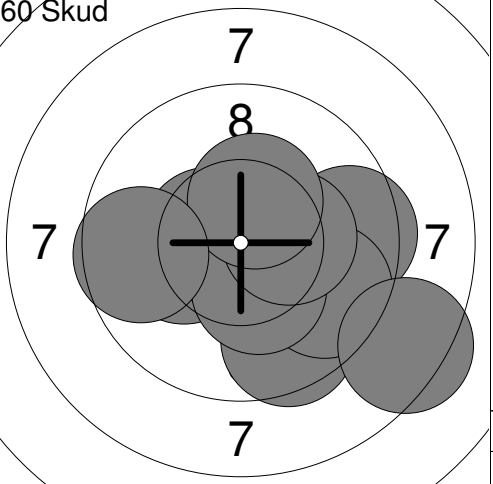
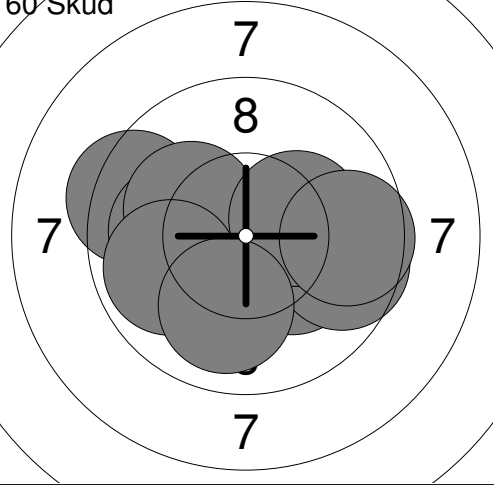
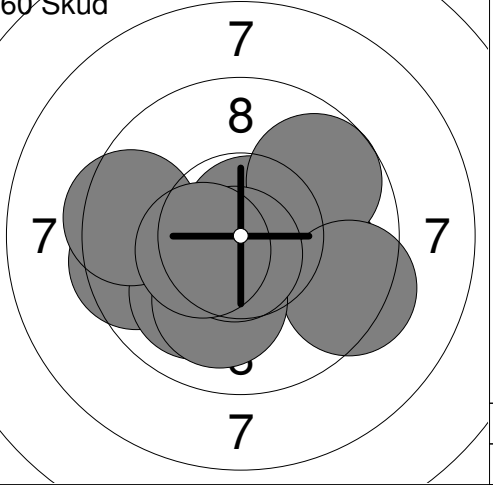
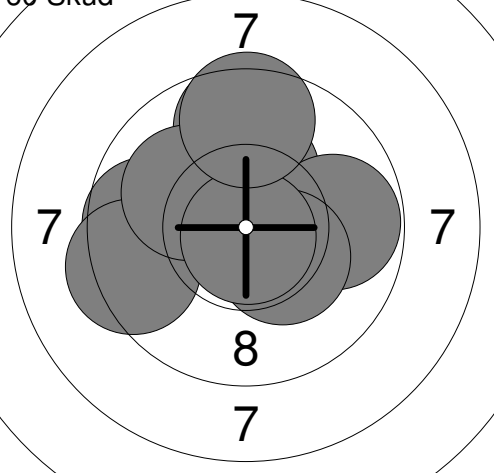
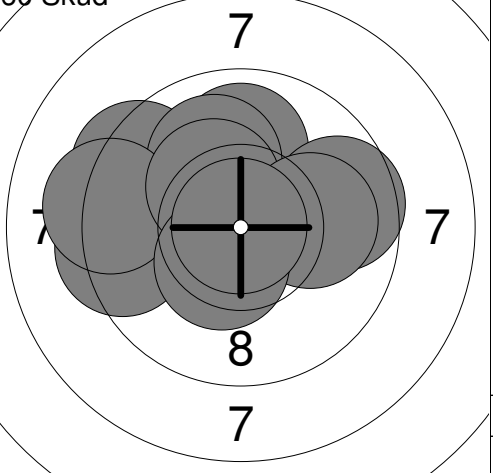


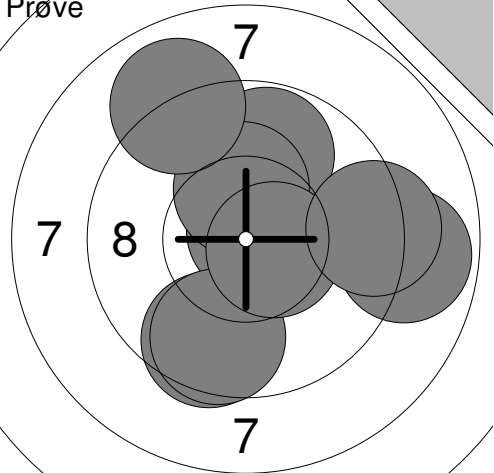
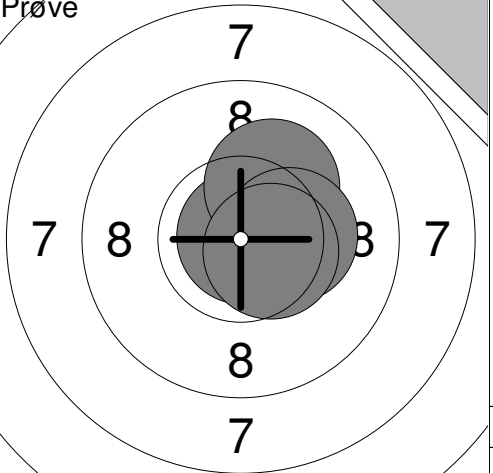
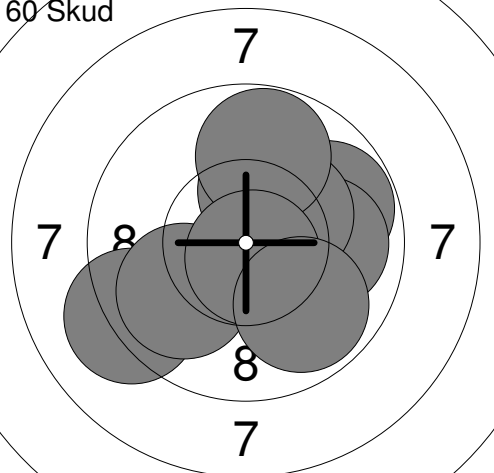
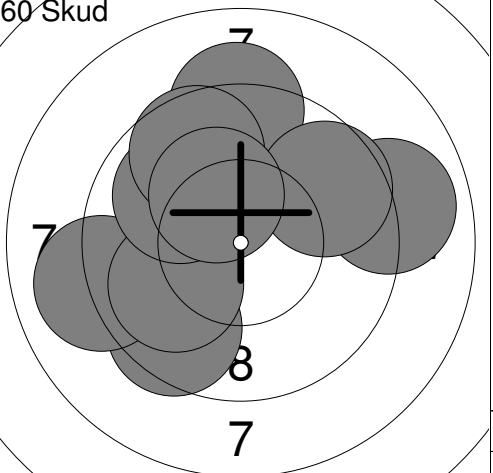
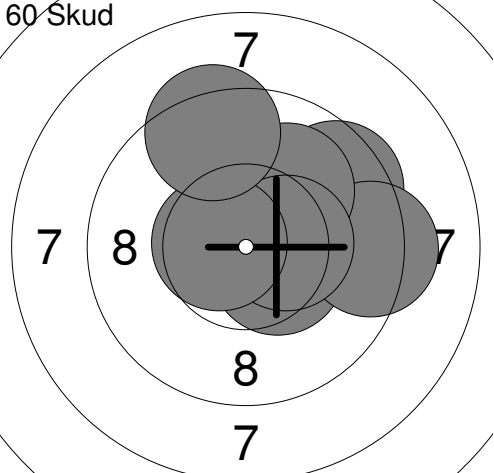
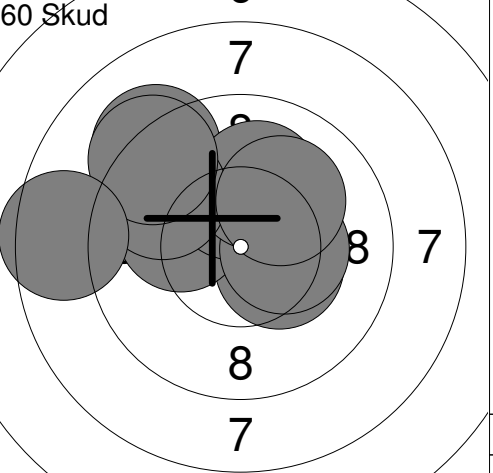
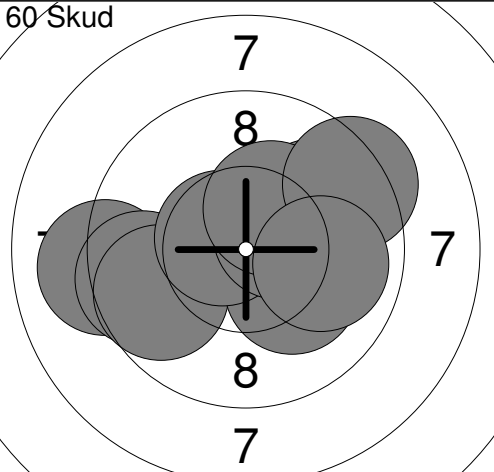
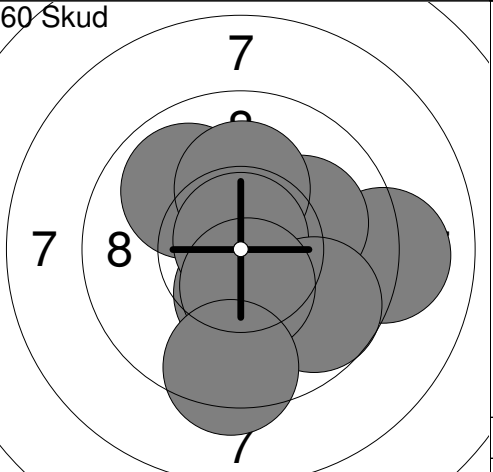
Serie	100.0
Total	494.0

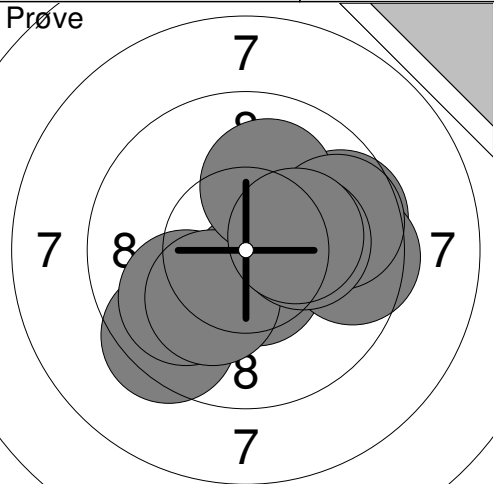
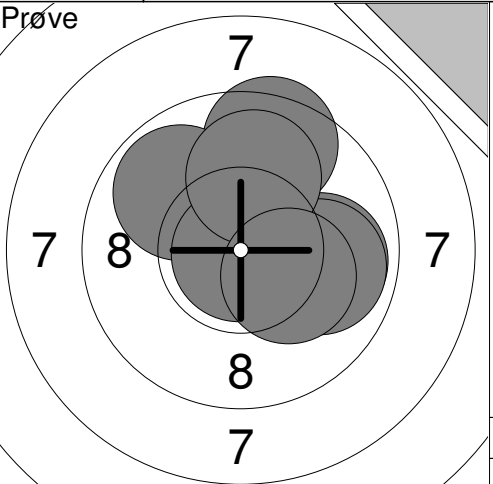
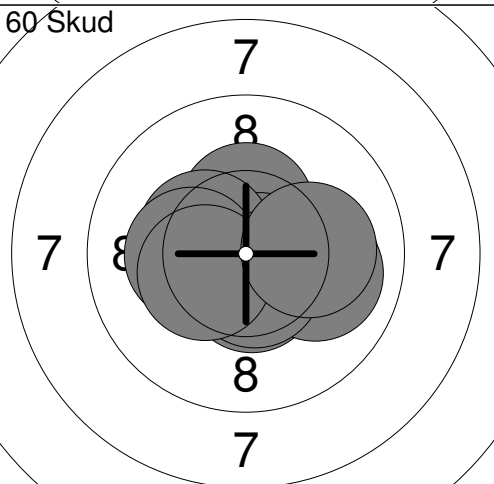
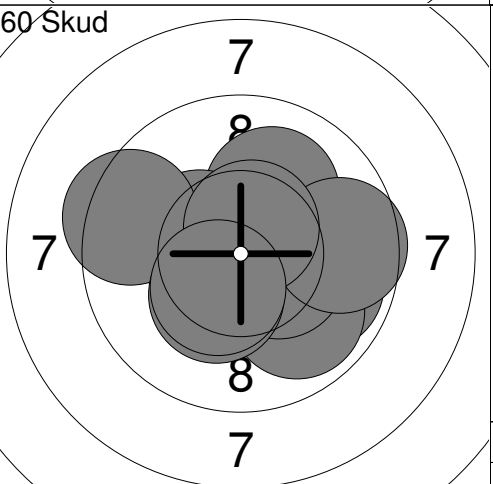
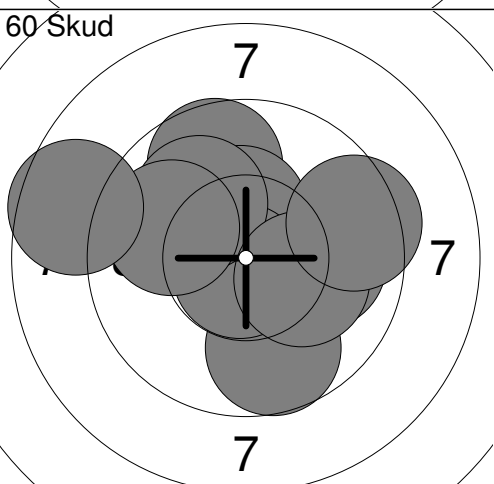
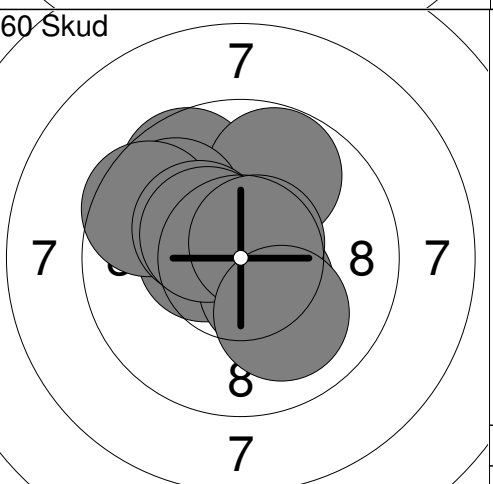
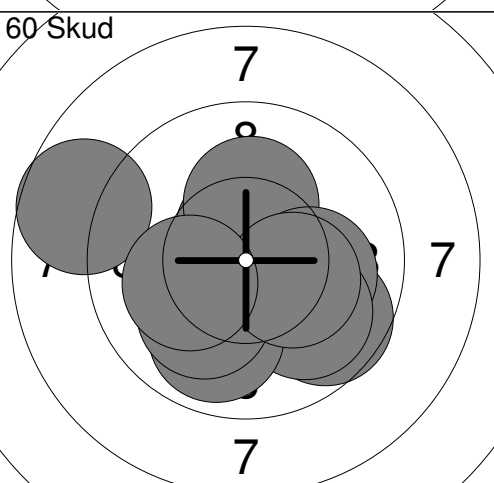
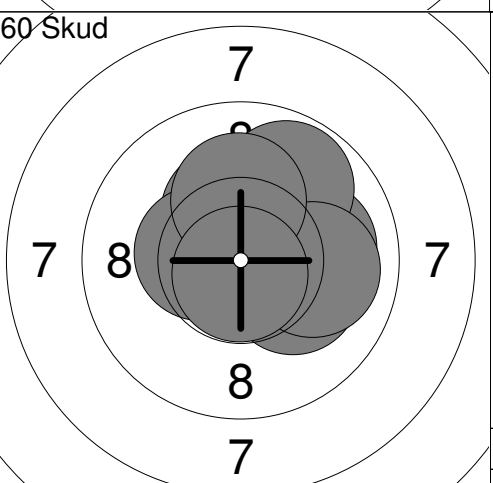


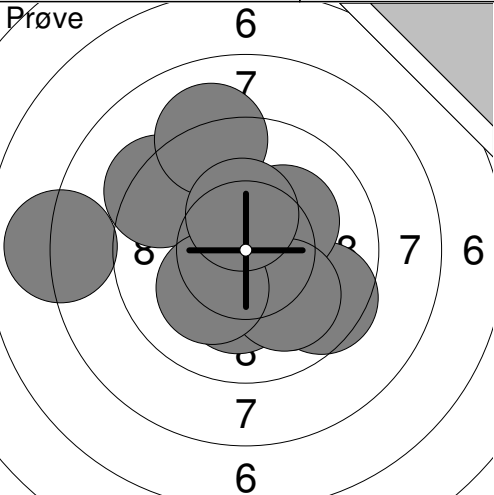
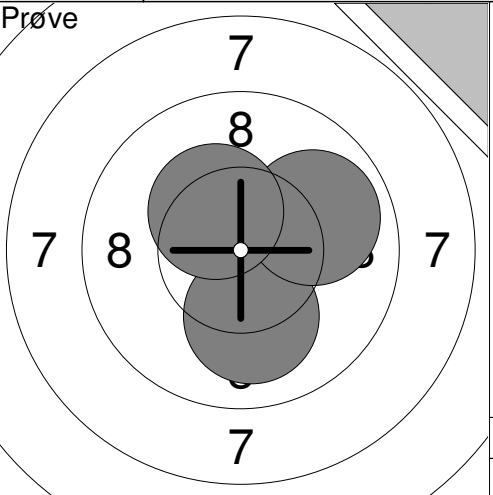
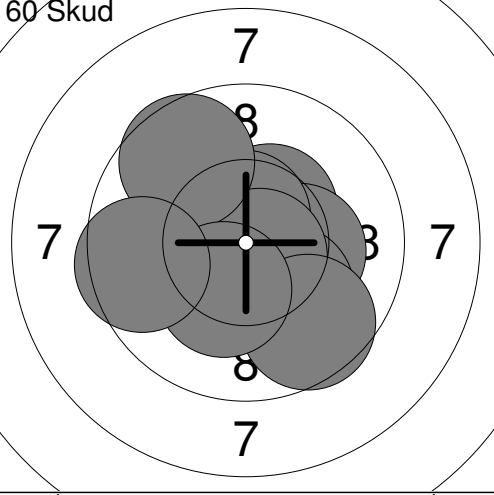
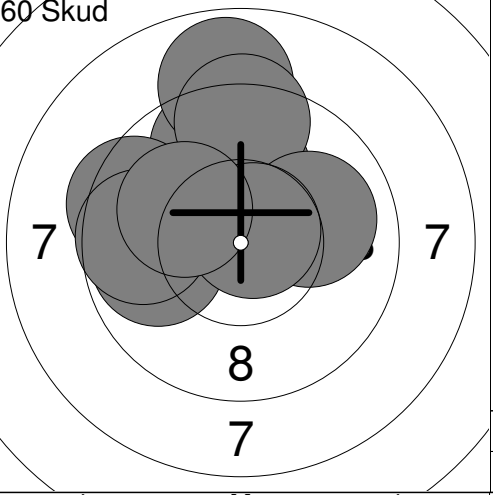
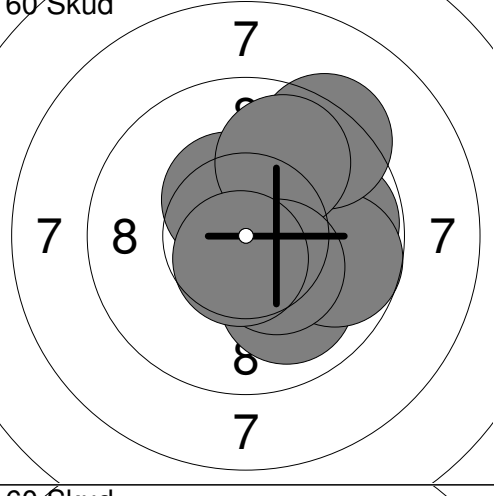
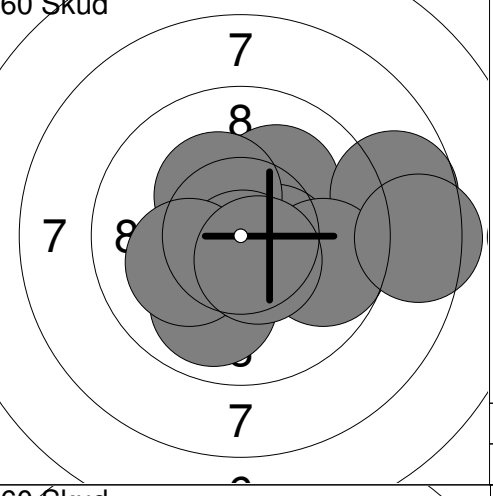
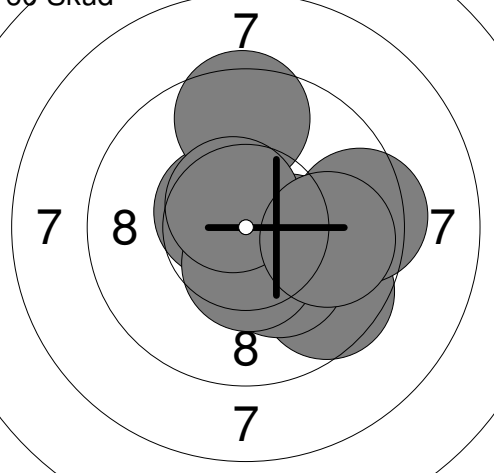
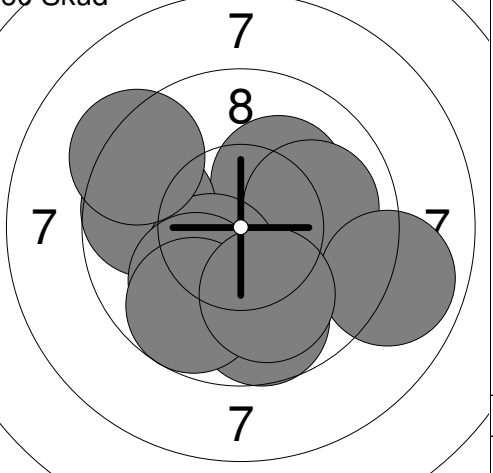
Serie	98.0
Total	592.0

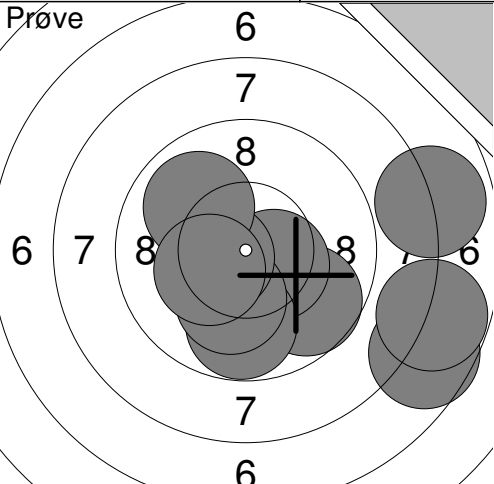
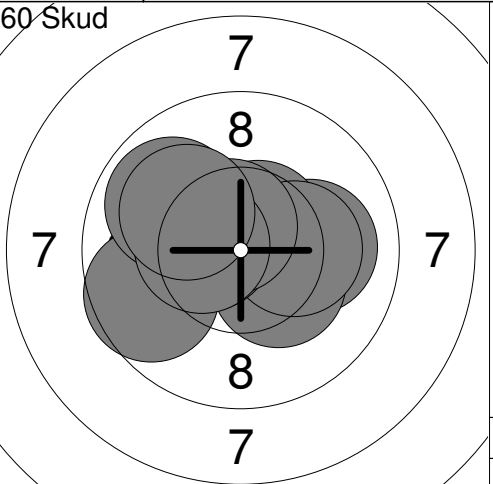
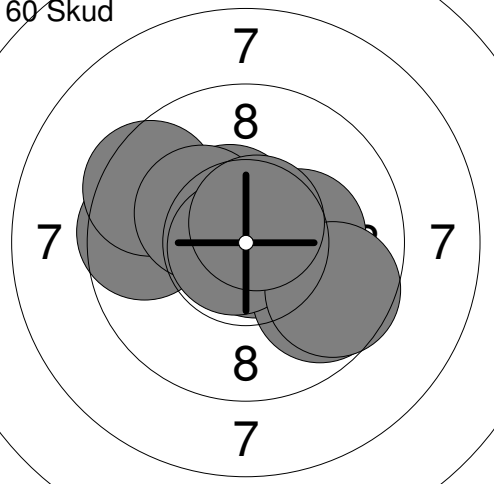
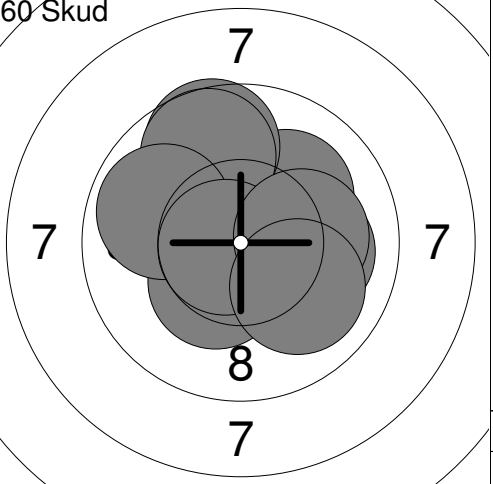
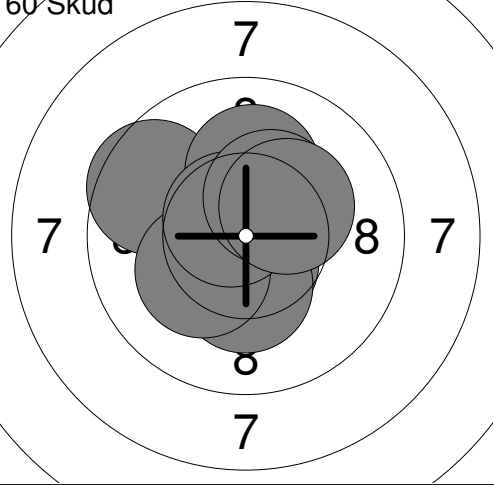
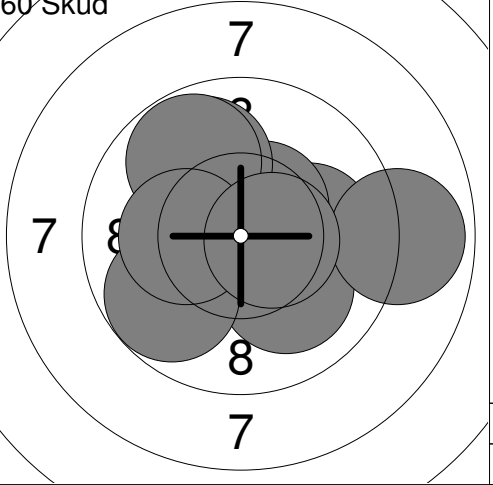
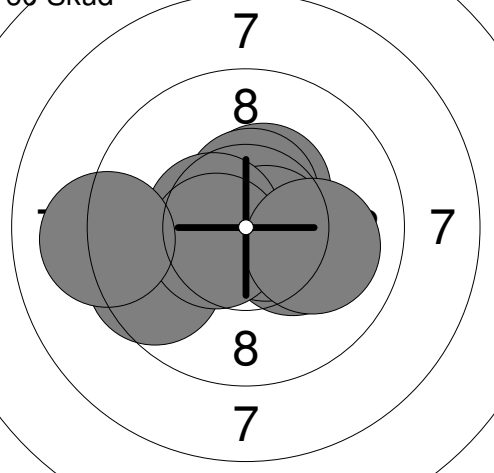


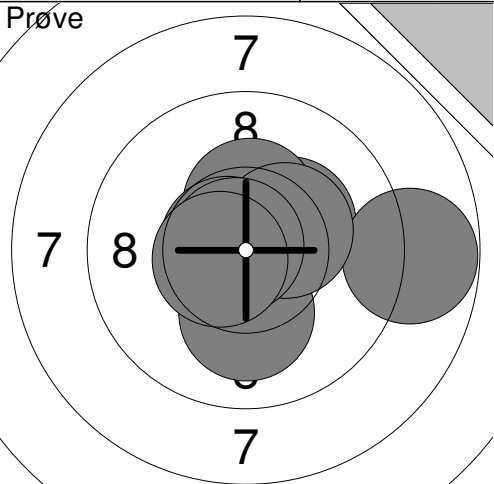
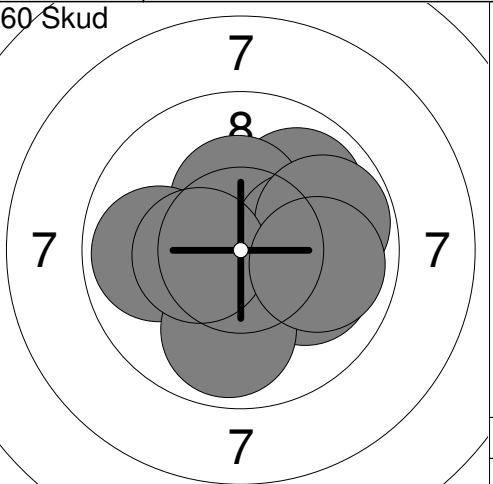
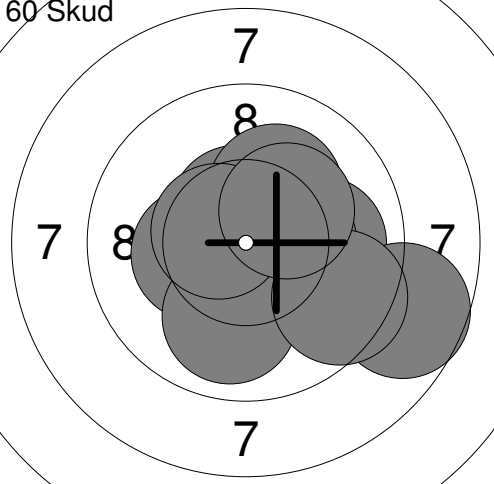
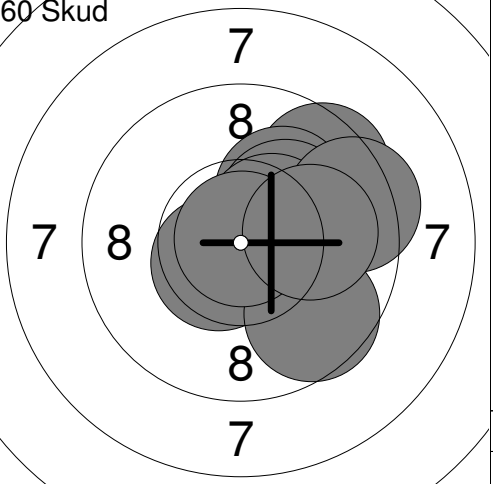
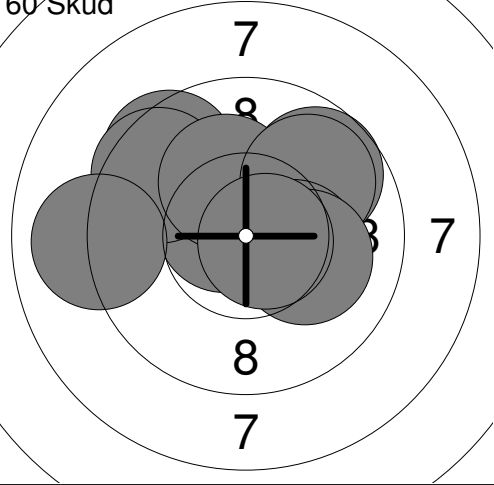
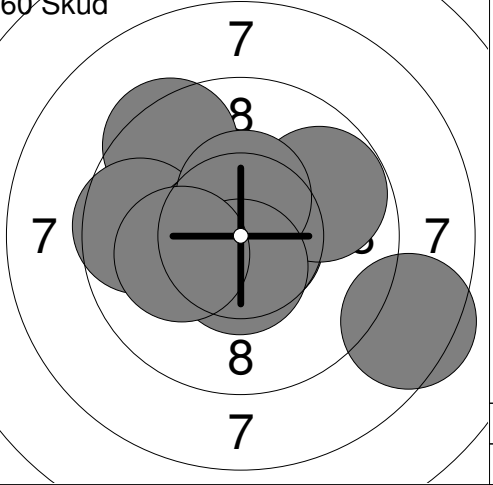
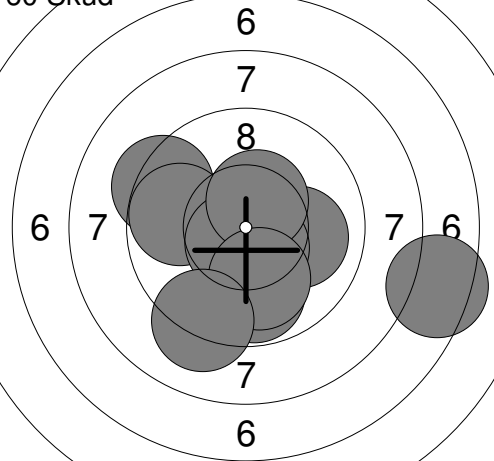
<p>Prøve</p>  <p style="text-align: center;">7 8 7</p>	<table border="1" style="width:100%; border-collapse: collapse;"> <tr><td>1:</td><td>9.1</td><td>→</td></tr> <tr><td>2:</td><td>9.9</td><td>→</td></tr> <tr><td>3:</td><td>10.1</td><td>↑</td></tr> <tr><td>4:</td><td>9.2</td><td>←</td></tr> <tr><td>5:</td><td>*10.9</td><td>↗</td></tr> <tr><td>6:</td><td>9.2</td><td>↘</td></tr> <tr><td>7:</td><td>10.0</td><td>↗</td></tr> <tr><td>8:</td><td>9.8</td><td>↘</td></tr> <tr><td>9:</td><td>*10.2</td><td>↗</td></tr> <tr><td>10:</td><td>9.6</td><td>←</td></tr> <tr><td colspan="2">Serie</td><td>94.0</td></tr> <tr><td colspan="2">Total</td><td>0.0</td></tr> </table>	1:	9.1	→	2:	9.9	→	3:	10.1	↑	4:	9.2	←	5:	*10.9	↗	6:	9.2	↘	7:	10.0	↗	8:	9.8	↘	9:	*10.2	↗	10:	9.6	←	Serie		94.0	Total		0.0	<p>Prøve</p>  <p style="text-align: center;">7 8 7</p>	<table border="1" style="width:100%; border-collapse: collapse;"> <tr><td>11:</td><td>*10.2</td><td>↓</td></tr> <tr><td>12:</td><td>9.3</td><td>→</td></tr> <tr><td>13:</td><td>*10.5</td><td>→</td></tr> <tr><td>14:</td><td>*10.7</td><td>↗</td></tr> <tr><td>15:</td><td>9.7</td><td>↓</td></tr> <tr><td>16:</td><td>10.1</td><td>↘</td></tr> <tr><td>17:</td><td>*10.5</td><td>↗</td></tr> <tr><td>18:</td><td>*10.3</td><td>↗</td></tr> <tr><td colspan="2">Serie</td><td>78.0</td></tr> <tr><td colspan="2">Total</td><td>0.0</td></tr> </table>	11:	*10.2	↓	12:	9.3	→	13:	*10.5	→	14:	*10.7	↗	15:	9.7	↓	16:	10.1	↘	17:	*10.5	↗	18:	*10.3	↗	Serie		78.0	Total		0.0						
1:	9.1	→																																																																									
2:	9.9	→																																																																									
3:	10.1	↑																																																																									
4:	9.2	←																																																																									
5:	*10.9	↗																																																																									
6:	9.2	↘																																																																									
7:	10.0	↗																																																																									
8:	9.8	↘																																																																									
9:	*10.2	↗																																																																									
10:	9.6	←																																																																									
Serie		94.0																																																																									
Total		0.0																																																																									
11:	*10.2	↓																																																																									
12:	9.3	→																																																																									
13:	*10.5	→																																																																									
14:	*10.7	↗																																																																									
15:	9.7	↓																																																																									
16:	10.1	↘																																																																									
17:	*10.5	↗																																																																									
18:	*10.3	↗																																																																									
Serie		78.0																																																																									
Total		0.0																																																																									
<p>60 Skud</p>  <p style="text-align: center;">7 8 7</p>	<table border="1" style="width:100%; border-collapse: collapse;"> <tr><td>1:</td><td>10.1</td><td>↗</td></tr> <tr><td>2:</td><td>*10.4</td><td>↗</td></tr> <tr><td>3:</td><td>*10.2</td><td>↑</td></tr> <tr><td>4:</td><td>9.0</td><td>↗</td></tr> <tr><td>5:</td><td>9.8</td><td>↗</td></tr> <tr><td>6:</td><td>8.4</td><td>↗</td></tr> <tr><td>7:</td><td>*10.5</td><td>→</td></tr> <tr><td>8:</td><td>9.9</td><td>↗</td></tr> <tr><td>9:</td><td>*10.4</td><td>↘</td></tr> <tr><td>10:</td><td>10.0</td><td>←</td></tr> <tr><td colspan="2">Serie</td><td>95.0</td></tr> <tr><td colspan="2">Total</td><td>95.0</td></tr> </table>	1:	10.1	↗	2:	*10.4	↗	3:	*10.2	↑	4:	9.0	↗	5:	9.8	↗	6:	8.4	↗	7:	*10.5	→	8:	9.9	↗	9:	*10.4	↘	10:	10.0	←	Serie		95.0	Total		95.0	<p>60 Skud</p>  <p style="text-align: center;">7 8 7</p>	<table border="1" style="width:100%; border-collapse: collapse;"> <tr><td>11:</td><td>*10.2</td><td>←</td></tr> <tr><td>12:</td><td>9.5</td><td>↘</td></tr> <tr><td>13:</td><td>9.5</td><td>→</td></tr> <tr><td>14:</td><td>*10.5</td><td>←</td></tr> <tr><td>15:</td><td>9.7</td><td>↘</td></tr> <tr><td>16:</td><td>*10.3</td><td>↘</td></tr> <tr><td>17:</td><td>8.4</td><td>↘</td></tr> <tr><td>18:</td><td>*10.3</td><td>→</td></tr> <tr><td>19:</td><td>*10.4</td><td>↑</td></tr> <tr><td>20:</td><td>9.6</td><td>←</td></tr> <tr><td colspan="2">Serie</td><td>94.0</td></tr> <tr><td colspan="2">Total</td><td>189.0</td></tr> </table>	11:	*10.2	←	12:	9.5	↘	13:	9.5	→	14:	*10.5	←	15:	9.7	↘	16:	*10.3	↘	17:	8.4	↘	18:	*10.3	→	19:	*10.4	↑	20:	9.6	←	Serie		94.0	Total		189.0
1:	10.1	↗																																																																									
2:	*10.4	↗																																																																									
3:	*10.2	↑																																																																									
4:	9.0	↗																																																																									
5:	9.8	↗																																																																									
6:	8.4	↗																																																																									
7:	*10.5	→																																																																									
8:	9.9	↗																																																																									
9:	*10.4	↘																																																																									
10:	10.0	←																																																																									
Serie		95.0																																																																									
Total		95.0																																																																									
11:	*10.2	←																																																																									
12:	9.5	↘																																																																									
13:	9.5	→																																																																									
14:	*10.5	←																																																																									
15:	9.7	↘																																																																									
16:	*10.3	↘																																																																									
17:	8.4	↘																																																																									
18:	*10.3	→																																																																									
19:	*10.4	↑																																																																									
20:	9.6	←																																																																									
Serie		94.0																																																																									
Total		189.0																																																																									
<p>60 Skud</p>  <p style="text-align: center;">7 8 7</p>	<table border="1" style="width:100%; border-collapse: collapse;"> <tr><td>21:</td><td>9.4</td><td>←</td></tr> <tr><td>22:</td><td>*10.2</td><td>↘</td></tr> <tr><td>23:</td><td>10.0</td><td>←</td></tr> <tr><td>24:</td><td>*10.2</td><td>↗</td></tr> <tr><td>25:</td><td>10.0</td><td>→</td></tr> <tr><td>26:</td><td>9.6</td><td>↘</td></tr> <tr><td>27:</td><td>*10.2</td><td>→</td></tr> <tr><td>28:</td><td>9.9</td><td>←</td></tr> <tr><td>29:</td><td>9.6</td><td>→</td></tr> <tr><td>30:</td><td>10.0</td><td>↓</td></tr> <tr><td colspan="2">Serie</td><td>96.0</td></tr> <tr><td colspan="2">Total</td><td>285.0</td></tr> </table>	21:	9.4	←	22:	*10.2	↘	23:	10.0	←	24:	*10.2	↗	25:	10.0	→	26:	9.6	↘	27:	*10.2	→	28:	9.9	←	29:	9.6	→	30:	10.0	↓	Serie		96.0	Total		285.0	<p>60 Skud</p>  <p style="text-align: center;">7 8 7</p>	<table border="1" style="width:100%; border-collapse: collapse;"> <tr><td>31:</td><td>9.5</td><td>←</td></tr> <tr><td>32:</td><td>*10.7</td><td>↗</td></tr> <tr><td>33:</td><td>9.7</td><td>↗</td></tr> <tr><td>34:</td><td>*10.3</td><td>←</td></tr> <tr><td>35:</td><td>10.0</td><td>↘</td></tr> <tr><td>36:</td><td>9.4</td><td>→</td></tr> <tr><td>37:</td><td>10.1</td><td>↓</td></tr> <tr><td>38:</td><td>*10.7</td><td>↓</td></tr> <tr><td>39:</td><td>9.5</td><td>←</td></tr> <tr><td>40:</td><td>*10.4</td><td>←</td></tr> <tr><td colspan="2">Serie</td><td>96.0</td></tr> <tr><td colspan="2">Total</td><td>381.0</td></tr> </table>	31:	9.5	←	32:	*10.7	↗	33:	9.7	↗	34:	*10.3	←	35:	10.0	↘	36:	9.4	→	37:	10.1	↓	38:	*10.7	↓	39:	9.5	←	40:	*10.4	←	Serie		96.0	Total		381.0
21:	9.4	←																																																																									
22:	*10.2	↘																																																																									
23:	10.0	←																																																																									
24:	*10.2	↗																																																																									
25:	10.0	→																																																																									
26:	9.6	↘																																																																									
27:	*10.2	→																																																																									
28:	9.9	←																																																																									
29:	9.6	→																																																																									
30:	10.0	↓																																																																									
Serie		96.0																																																																									
Total		285.0																																																																									
31:	9.5	←																																																																									
32:	*10.7	↗																																																																									
33:	9.7	↗																																																																									
34:	*10.3	←																																																																									
35:	10.0	↘																																																																									
36:	9.4	→																																																																									
37:	10.1	↓																																																																									
38:	*10.7	↓																																																																									
39:	9.5	←																																																																									
40:	*10.4	←																																																																									
Serie		96.0																																																																									
Total		381.0																																																																									
<p>60 Skud</p>  <p style="text-align: center;">7 8 7</p>	<table border="1" style="width:100%; border-collapse: collapse;"> <tr><td>41:</td><td>9.7</td><td>←</td></tr> <tr><td>42:</td><td>9.6</td><td>↑</td></tr> <tr><td>43:</td><td>*10.3</td><td>↑</td></tr> <tr><td>44:</td><td>*10.8</td><td>↗</td></tr> <tr><td>45:</td><td>9.8</td><td>→</td></tr> <tr><td>46:</td><td>9.4</td><td>←</td></tr> <tr><td>47:</td><td>*10.3</td><td>↘</td></tr> <tr><td>48:</td><td>10.1</td><td>↗</td></tr> <tr><td>49:</td><td>*10.8</td><td>↘</td></tr> <tr><td>50:</td><td>9.5</td><td>↑</td></tr> <tr><td colspan="2">Serie</td><td>95.0</td></tr> <tr><td colspan="2">Total</td><td>476.0</td></tr> </table>	41:	9.7	←	42:	9.6	↑	43:	*10.3	↑	44:	*10.8	↗	45:	9.8	→	46:	9.4	←	47:	*10.3	↘	48:	10.1	↗	49:	*10.8	↘	50:	9.5	↑	Serie		95.0	Total		476.0	<p>60 Skud</p>  <p style="text-align: center;">7 8 7</p>	<table border="1" style="width:100%; border-collapse: collapse;"> <tr><td>51:</td><td>9.4</td><td>↖</td></tr> <tr><td>52:</td><td>9.9</td><td>↑</td></tr> <tr><td>53:</td><td>10.0</td><td>↗</td></tr> <tr><td>54:</td><td>9.6</td><td>→</td></tr> <tr><td>55:</td><td>9.4</td><td>←</td></tr> <tr><td>56:</td><td>9.2</td><td>←</td></tr> <tr><td>57:</td><td>*10.3</td><td>↗</td></tr> <tr><td>58:</td><td>10.0</td><td>→</td></tr> <tr><td>59:</td><td>*10.4</td><td>↘</td></tr> <tr><td>60:</td><td>*10.9</td><td>↗</td></tr> <tr><td colspan="2">Serie</td><td>95.0</td></tr> <tr><td colspan="2">Total</td><td>571.0</td></tr> </table>	51:	9.4	↖	52:	9.9	↑	53:	10.0	↗	54:	9.6	→	55:	9.4	←	56:	9.2	←	57:	*10.3	↗	58:	10.0	→	59:	*10.4	↘	60:	*10.9	↗	Serie		95.0	Total		571.0
41:	9.7	←																																																																									
42:	9.6	↑																																																																									
43:	*10.3	↑																																																																									
44:	*10.8	↗																																																																									
45:	9.8	→																																																																									
46:	9.4	←																																																																									
47:	*10.3	↘																																																																									
48:	10.1	↗																																																																									
49:	*10.8	↘																																																																									
50:	9.5	↑																																																																									
Serie		95.0																																																																									
Total		476.0																																																																									
51:	9.4	↖																																																																									
52:	9.9	↑																																																																									
53:	10.0	↗																																																																									
54:	9.6	→																																																																									
55:	9.4	←																																																																									
56:	9.2	←																																																																									
57:	*10.3	↗																																																																									
58:	10.0	→																																																																									
59:	*10.4	↘																																																																									
60:	*10.9	↗																																																																									
Serie		95.0																																																																									
Total		571.0																																																																									

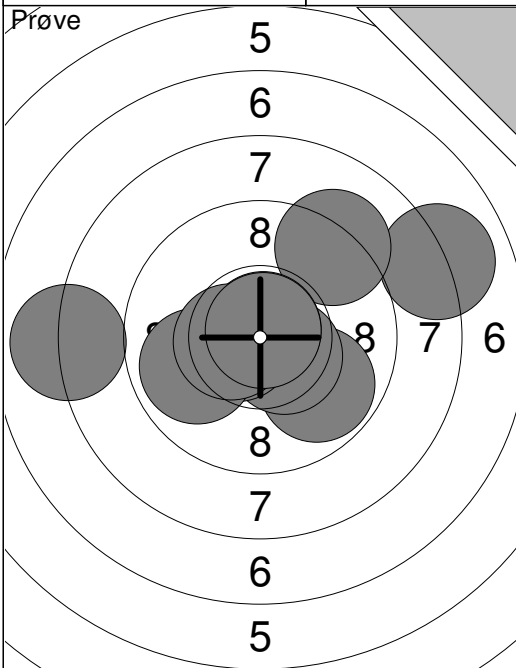
<p>Prøve</p> 	<p>1: 9.5 ↓ 2: *10.4 ↗ 3: *10.8 ↗ 4: 9.8 ↑ 5: 9.6 ↓ 6: *10.3 ↑ 7: 9.0 ↗ 8: *10.6 → 9: 8.9 → 10: 9.3 →</p> <p>Serie 93.0 Total 0.0</p>	<p>Prøve</p> 	<p>11: *10.9 ↗ 12: 10.1 ↗ 13: *10.3 → 14: *10.5 →</p> <p>Serie 40.0 Total 0.0</p>
<p>60 Skud</p> 	<p>1: 9.8 → 2: *10.7 → 3: *10.2 ↑ 4: 10.0 → 5: *10.3 ↗ 6: 9.8 ↑ 7: 9.2 ← 8: 9.9 ← 9: *10.7 ↓ 10: 9.9 ↓</p> <p>Serie 95.0 Total 95.0</p>	<p>60 Skud</p> 	<p>11: 9.5 ↓ 12: 9.0 ← 13: 9.9 ← 14: 9.9 ↑ 15: 9.9 ↗ 16: 9.2 ↑ 17: 8.9 → 18: 9.6 ↗ 19: 9.6 ↗ 20: *10.2 ↗</p> <p>Serie 90.0 Total 185.0</p>
<p>60 Skud</p> 	<p>21: *10.4 → 22: 9.8 → 23: *10.4 → 24: 9.5 ↗ 25: *10.6 ↗ 26: 9.3 → 27: 10.0 ↗ 28: *10.4 → 29: *10.6 ← 30: 9.4 ↑</p> <p>Serie 96.0 Total 281.0</p>	<p>60 Skud</p> 	<p>31: *10.4 → 32: 10.1 ← 33: *10.2 ↑ 34: *10.3 → 35: 9.2 ↗ 36: 10.1 ↑ 37: 9.7 ↗ 38: 9.2 ↗ 39: 10.1 ↗ 40: 8.5 ←</p> <p>Serie 95.0 Total 376.0</p>
<p>60 Skud</p> 	<p>41: 9.9 ↗ 42: 9.1 ← 43: 9.5 ← 44: 9.7 ← 45: *10.2 ↓ 46: *10.6 ↗ 47: *10.4 ↗ 48: *10.3 ↗ 49: 9.3 ↗ 50: 9.9 →</p> <p>Serie 94.0 Total 470.0</p>	<p>60 Skud</p> 	<p>51: *10.4 ↓ 52: 10.1 → 53: 9.1 → 54: 10.1 ↗ 55: 9.9 ↗ 56: *10.2 ↑ 57: *10.8 ↑ 58: 9.7 ↓ 59: *10.5 ↓ 60: 9.4 ↓</p> <p>Serie 96.0 Total 566.0</p>

<p>Prøve</p> 	<table border="1" style="width:100%; border-collapse: collapse;"> <tr><td>1:</td><td>9.4</td><td>↘</td></tr> <tr><td>2:</td><td>*10.6</td><td>↓</td></tr> <tr><td>3:</td><td>9.6</td><td>→</td></tr> <tr><td>4:</td><td>9.9</td><td>↙</td></tr> <tr><td>5:</td><td>*10.2</td><td>↓</td></tr> <tr><td>6:</td><td>9.5</td><td>→</td></tr> <tr><td>7:</td><td>10.1</td><td>↑</td></tr> <tr><td>8:</td><td>9.7</td><td>→</td></tr> <tr><td>9:</td><td>*10.2</td><td>→</td></tr> <tr><td>10:</td><td>*10.3</td><td>→</td></tr> <tr><td colspan="2">Serie</td><td>95.0</td></tr> <tr><td colspan="2">Total</td><td>0.0</td></tr> </table>	1:	9.4	↘	2:	*10.6	↓	3:	9.6	→	4:	9.9	↙	5:	*10.2	↓	6:	9.5	→	7:	10.1	↑	8:	9.7	→	9:	*10.2	→	10:	*10.3	→	Serie		95.0	Total		0.0	<p>Prøve</p>  <table border="1" style="width:100%; border-collapse: collapse;"> <tr><td>11:</td><td>9.9</td><td>→</td></tr> <tr><td>12:</td><td>9.5</td><td>↑</td></tr> <tr><td>13:</td><td>9.9</td><td>↗</td></tr> <tr><td>14:</td><td>*10.9</td><td>↓</td></tr> <tr><td>15:</td><td>9.9</td><td>→</td></tr> <tr><td>16:</td><td>10.0</td><td>↑</td></tr> <tr><td>17:</td><td>*10.2</td><td>↘</td></tr> <tr><td colspan="2">Serie</td><td>66.0</td></tr> <tr><td colspan="2">Total</td><td>0.0</td></tr> </table>	11:	9.9	→	12:	9.5	↑	13:	9.9	↗	14:	*10.9	↓	15:	9.9	→	16:	10.0	↑	17:	*10.2	↘	Serie		66.0	Total		0.0									
1:	9.4	↘																																																																								
2:	*10.6	↓																																																																								
3:	9.6	→																																																																								
4:	9.9	↙																																																																								
5:	*10.2	↓																																																																								
6:	9.5	→																																																																								
7:	10.1	↑																																																																								
8:	9.7	→																																																																								
9:	*10.2	→																																																																								
10:	*10.3	→																																																																								
Serie		95.0																																																																								
Total		0.0																																																																								
11:	9.9	→																																																																								
12:	9.5	↑																																																																								
13:	9.9	↗																																																																								
14:	*10.9	↓																																																																								
15:	9.9	→																																																																								
16:	10.0	↑																																																																								
17:	*10.2	↘																																																																								
Serie		66.0																																																																								
Total		0.0																																																																								
<p>60 Skud</p> 	<table border="1" style="width:100%; border-collapse: collapse;"> <tr><td>1:</td><td>*10.5</td><td>↖</td></tr> <tr><td>2:</td><td>*10.5</td><td>↓</td></tr> <tr><td>3:</td><td>*10.4</td><td>↑</td></tr> <tr><td>4:</td><td>10.0</td><td>→</td></tr> <tr><td>5:</td><td>*10.7</td><td>↘</td></tr> <tr><td>6:</td><td>*10.4</td><td>↗</td></tr> <tr><td>7:</td><td>*10.6</td><td>↓</td></tr> <tr><td>8:</td><td>*10.2</td><td>←</td></tr> <tr><td>9:</td><td>*10.4</td><td>←</td></tr> <tr><td>10:</td><td>10.1</td><td>→</td></tr> <tr><td colspan="2">Serie</td><td>100.0</td></tr> <tr><td colspan="2">Total</td><td>100.0</td></tr> </table>	1:	*10.5	↖	2:	*10.5	↓	3:	*10.4	↑	4:	10.0	→	5:	*10.7	↘	6:	*10.4	↗	7:	*10.6	↓	8:	*10.2	←	9:	*10.4	←	10:	10.1	→	Serie		100.0	Total		100.0	<p>60 Skud</p>  <table border="1" style="width:100%; border-collapse: collapse;"> <tr><td>11:</td><td>9.9</td><td>→</td></tr> <tr><td>12:</td><td>10.1</td><td>↑</td></tr> <tr><td>13:</td><td>*10.4</td><td>↖</td></tr> <tr><td>14:</td><td>9.9</td><td>↓</td></tr> <tr><td>15:</td><td>*10.4</td><td>↘</td></tr> <tr><td>16:</td><td>9.4</td><td>↖</td></tr> <tr><td>17:</td><td>9.6</td><td>→</td></tr> <tr><td>18:</td><td>*10.3</td><td>↓</td></tr> <tr><td>19:</td><td>*10.6</td><td>↑</td></tr> <tr><td>20:</td><td>*10.4</td><td>↘</td></tr> <tr><td colspan="2">Serie</td><td>96.0</td></tr> <tr><td colspan="2">Total</td><td>196.0</td></tr> </table>	11:	9.9	→	12:	10.1	↑	13:	*10.4	↖	14:	9.9	↓	15:	*10.4	↘	16:	9.4	↖	17:	9.6	→	18:	*10.3	↓	19:	*10.6	↑	20:	*10.4	↘	Serie		96.0	Total		196.0
1:	*10.5	↖																																																																								
2:	*10.5	↓																																																																								
3:	*10.4	↑																																																																								
4:	10.0	→																																																																								
5:	*10.7	↘																																																																								
6:	*10.4	↗																																																																								
7:	*10.6	↓																																																																								
8:	*10.2	←																																																																								
9:	*10.4	←																																																																								
10:	10.1	→																																																																								
Serie		100.0																																																																								
Total		100.0																																																																								
11:	9.9	→																																																																								
12:	10.1	↑																																																																								
13:	*10.4	↖																																																																								
14:	9.9	↓																																																																								
15:	*10.4	↘																																																																								
16:	9.4	↖																																																																								
17:	9.6	→																																																																								
18:	*10.3	↓																																																																								
19:	*10.6	↑																																																																								
20:	*10.4	↘																																																																								
Serie		96.0																																																																								
Total		196.0																																																																								
<p>60 Skud</p> 	<table border="1" style="width:100%; border-collapse: collapse;"> <tr><td>21:</td><td>9.7</td><td>↓</td></tr> <tr><td>22:</td><td>10.0</td><td>→</td></tr> <tr><td>23:</td><td>9.7</td><td>↑</td></tr> <tr><td>24:</td><td>*10.4</td><td>↑</td></tr> <tr><td>25:</td><td>*10.8</td><td>↓</td></tr> <tr><td>26:</td><td>10.0</td><td>↗</td></tr> <tr><td>27:</td><td>*10.2</td><td>→</td></tr> <tr><td>28:</td><td>9.9</td><td>↗</td></tr> <tr><td>29:</td><td>8.6</td><td>↖</td></tr> <tr><td>30:</td><td>9.4</td><td>→</td></tr> <tr><td colspan="2">Serie</td><td>94.0</td></tr> <tr><td colspan="2">Total</td><td>290.0</td></tr> </table>	21:	9.7	↓	22:	10.0	→	23:	9.7	↑	24:	*10.4	↑	25:	*10.8	↓	26:	10.0	↗	27:	*10.2	→	28:	9.9	↗	29:	8.6	↖	30:	9.4	→	Serie		94.0	Total		290.0	<p>60 Skud</p>  <table border="1" style="width:100%; border-collapse: collapse;"> <tr><td>31:</td><td>*10.5</td><td>↖</td></tr> <tr><td>32:</td><td>9.7</td><td>↑</td></tr> <tr><td>33:</td><td>9.8</td><td>↑</td></tr> <tr><td>34:</td><td>9.9</td><td>↗</td></tr> <tr><td>35:</td><td>9.6</td><td>↗</td></tr> <tr><td>36:</td><td>*10.4</td><td>↓</td></tr> <tr><td>37:</td><td>*10.3</td><td>↗</td></tr> <tr><td>38:</td><td>*10.4</td><td>↗</td></tr> <tr><td>39:</td><td>*10.7</td><td>↗</td></tr> <tr><td>40:</td><td>10.0</td><td>↘</td></tr> <tr><td colspan="2">Serie</td><td>96.0</td></tr> <tr><td colspan="2">Total</td><td>386.0</td></tr> </table>	31:	*10.5	↖	32:	9.7	↑	33:	9.8	↑	34:	9.9	↗	35:	9.6	↗	36:	*10.4	↓	37:	*10.3	↗	38:	*10.4	↗	39:	*10.7	↗	40:	10.0	↘	Serie		96.0	Total		386.0
21:	9.7	↓																																																																								
22:	10.0	→																																																																								
23:	9.7	↑																																																																								
24:	*10.4	↑																																																																								
25:	*10.8	↓																																																																								
26:	10.0	↗																																																																								
27:	*10.2	→																																																																								
28:	9.9	↗																																																																								
29:	8.6	↖																																																																								
30:	9.4	→																																																																								
Serie		94.0																																																																								
Total		290.0																																																																								
31:	*10.5	↖																																																																								
32:	9.7	↑																																																																								
33:	9.8	↑																																																																								
34:	9.9	↗																																																																								
35:	9.6	↗																																																																								
36:	*10.4	↓																																																																								
37:	*10.3	↗																																																																								
38:	*10.4	↗																																																																								
39:	*10.7	↗																																																																								
40:	10.0	↘																																																																								
Serie		96.0																																																																								
Total		386.0																																																																								
<p>60 Skud</p> 	<table border="1" style="width:100%; border-collapse: collapse;"> <tr><td>41:</td><td>*10.6</td><td>↑</td></tr> <tr><td>42:</td><td>9.7</td><td>↓</td></tr> <tr><td>43:</td><td>*10.2</td><td>↑</td></tr> <tr><td>44:</td><td>10.1</td><td>→</td></tr> <tr><td>45:</td><td>9.9</td><td>↓</td></tr> <tr><td>46:</td><td>9.9</td><td>↓</td></tr> <tr><td>47:</td><td>10.1</td><td>↙</td></tr> <tr><td>48:</td><td>*10.3</td><td>→</td></tr> <tr><td>49:</td><td>8.7</td><td>↖</td></tr> <tr><td>50:</td><td>*10.2</td><td>↖</td></tr> <tr><td colspan="2">Serie</td><td>95.0</td></tr> <tr><td colspan="2">Total</td><td>481.0</td></tr> </table>	41:	*10.6	↑	42:	9.7	↓	43:	*10.2	↑	44:	10.1	→	45:	9.9	↓	46:	9.9	↓	47:	10.1	↙	48:	*10.3	→	49:	8.7	↖	50:	*10.2	↖	Serie		95.0	Total		481.0	<p>60 Skud</p>  <table border="1" style="width:100%; border-collapse: collapse;"> <tr><td>51:</td><td>*10.2</td><td>↘</td></tr> <tr><td>52:</td><td>*10.4</td><td>↗</td></tr> <tr><td>53:</td><td>10.0</td><td>→</td></tr> <tr><td>54:</td><td>*10.3</td><td>↑</td></tr> <tr><td>55:</td><td>*10.7</td><td>↗</td></tr> <tr><td>56:</td><td>9.8</td><td>↗</td></tr> <tr><td>57:</td><td>10.0</td><td>→</td></tr> <tr><td>58:</td><td>*10.4</td><td>←</td></tr> <tr><td>59:</td><td>*10.2</td><td>↑</td></tr> <tr><td>60:</td><td>*10.8</td><td>↓</td></tr> <tr><td colspan="2">Serie</td><td>99.0</td></tr> <tr><td colspan="2">Total</td><td>580.0</td></tr> </table>	51:	*10.2	↘	52:	*10.4	↗	53:	10.0	→	54:	*10.3	↑	55:	*10.7	↗	56:	9.8	↗	57:	10.0	→	58:	*10.4	←	59:	*10.2	↑	60:	*10.8	↓	Serie		99.0	Total		580.0
41:	*10.6	↑																																																																								
42:	9.7	↓																																																																								
43:	*10.2	↑																																																																								
44:	10.1	→																																																																								
45:	9.9	↓																																																																								
46:	9.9	↓																																																																								
47:	10.1	↙																																																																								
48:	*10.3	→																																																																								
49:	8.7	↖																																																																								
50:	*10.2	↖																																																																								
Serie		95.0																																																																								
Total		481.0																																																																								
51:	*10.2	↘																																																																								
52:	*10.4	↗																																																																								
53:	10.0	→																																																																								
54:	*10.3	↑																																																																								
55:	*10.7	↗																																																																								
56:	9.8	↗																																																																								
57:	10.0	→																																																																								
58:	*10.4	←																																																																								
59:	*10.2	↑																																																																								
60:	*10.8	↓																																																																								
Serie		99.0																																																																								
Total		580.0																																																																								

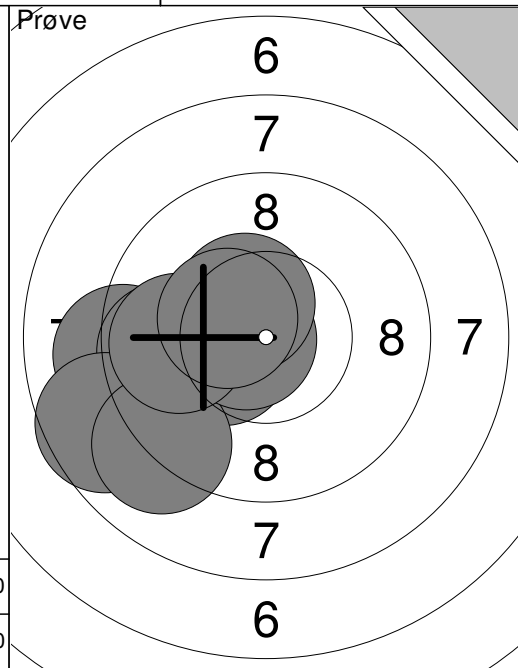
<p>Prøve</p>  <p style="text-align: center;">6 7 8 7 6</p>	<table border="1" style="width:100%; border-collapse: collapse;"> <tr><td>1:</td><td>9.3</td><td>↗</td></tr> <tr><td>2:</td><td>*10.2</td><td>↓</td></tr> <tr><td>3:</td><td>10.0</td><td>↘</td></tr> <tr><td>4:</td><td>8.0</td><td>←</td></tr> <tr><td>5:</td><td>9.5</td><td>↘</td></tr> <tr><td>6:</td><td>9.1</td><td>↗</td></tr> <tr><td>7:</td><td>*10.2</td><td>↗</td></tr> <tr><td>8:</td><td>10.0</td><td>↘</td></tr> <tr><td>9:</td><td>10.1</td><td>↙</td></tr> <tr><td>10:</td><td>*10.4</td><td>↑</td></tr> <tr><td colspan="2">Serie</td><td>95.0</td></tr> <tr><td colspan="2">Total</td><td>0.0</td></tr> </table>	1:	9.3	↗	2:	*10.2	↓	3:	10.0	↘	4:	8.0	←	5:	9.5	↘	6:	9.1	↗	7:	*10.2	↗	8:	10.0	↘	9:	10.1	↙	10:	*10.4	↑	Serie		95.0	Total		0.0	<p>Prøve</p>  <p style="text-align: center;">7 8 7</p>	<table border="1" style="width:100%; border-collapse: collapse;"> <tr><td>11:</td><td>10.1</td><td>↓</td></tr> <tr><td>12:</td><td>9.9</td><td>↗</td></tr> <tr><td>13:</td><td>*10.3</td><td>↖</td></tr> <tr><td colspan="2">Serie</td><td>29.0</td></tr> <tr><td colspan="2">Total</td><td>0.0</td></tr> </table>	11:	10.1	↓	12:	9.9	↗	13:	*10.3	↖	Serie		29.0	Total		0.0																					
1:	9.3	↗																																																																									
2:	*10.2	↓																																																																									
3:	10.0	↘																																																																									
4:	8.0	←																																																																									
5:	9.5	↘																																																																									
6:	9.1	↗																																																																									
7:	*10.2	↗																																																																									
8:	10.0	↘																																																																									
9:	10.1	↙																																																																									
10:	*10.4	↑																																																																									
Serie		95.0																																																																									
Total		0.0																																																																									
11:	10.1	↓																																																																									
12:	9.9	↗																																																																									
13:	*10.3	↖																																																																									
Serie		29.0																																																																									
Total		0.0																																																																									
<p>60 Skud</p>  <p style="text-align: center;">7 8 7</p>	<table border="1" style="width:100%; border-collapse: collapse;"> <tr><td>1:</td><td>*10.4</td><td>↗</td></tr> <tr><td>2:</td><td>*10.9</td><td>↑</td></tr> <tr><td>3:</td><td>*10.3</td><td>→</td></tr> <tr><td>4:</td><td>*10.6</td><td>↑</td></tr> <tr><td>5:</td><td>10.1</td><td>↘</td></tr> <tr><td>6:</td><td>*10.7</td><td>↘</td></tr> <tr><td>7:</td><td>9.6</td><td>↘</td></tr> <tr><td>8:</td><td>9.6</td><td>↗</td></tr> <tr><td>9:</td><td>*10.3</td><td>↘</td></tr> <tr><td>10:</td><td>9.6</td><td>←</td></tr> <tr><td colspan="2">Serie</td><td>97.0</td></tr> <tr><td colspan="2">Total</td><td>97.0</td></tr> </table>	1:	*10.4	↗	2:	*10.9	↑	3:	*10.3	→	4:	*10.6	↑	5:	10.1	↘	6:	*10.7	↘	7:	9.6	↘	8:	9.6	↗	9:	*10.3	↘	10:	9.6	←	Serie		97.0	Total		97.0	<p>60 Skud</p>  <p style="text-align: center;">7 8 7</p>	<table border="1" style="width:100%; border-collapse: collapse;"> <tr><td>11:</td><td>9.7</td><td>↑</td></tr> <tr><td>12:</td><td>9.4</td><td>←</td></tr> <tr><td>13:</td><td>9.8</td><td>←</td></tr> <tr><td>14:</td><td>8.9</td><td>↑</td></tr> <tr><td>15:</td><td>9.7</td><td>←</td></tr> <tr><td>16:</td><td>10.0</td><td>↑</td></tr> <tr><td>17:</td><td>9.4</td><td>↑</td></tr> <tr><td>18:</td><td>10.0</td><td>→</td></tr> <tr><td>19:</td><td>*10.7</td><td>↗</td></tr> <tr><td>20:</td><td>10.1</td><td>↖</td></tr> <tr><td colspan="2">Serie</td><td>93.0</td></tr> <tr><td colspan="2">Total</td><td>190.0</td></tr> </table>	11:	9.7	↑	12:	9.4	←	13:	9.8	←	14:	8.9	↑	15:	9.7	←	16:	10.0	↑	17:	9.4	↑	18:	10.0	→	19:	*10.7	↗	20:	10.1	↖	Serie		93.0	Total		190.0
1:	*10.4	↗																																																																									
2:	*10.9	↑																																																																									
3:	*10.3	→																																																																									
4:	*10.6	↑																																																																									
5:	10.1	↘																																																																									
6:	*10.7	↘																																																																									
7:	9.6	↘																																																																									
8:	9.6	↗																																																																									
9:	*10.3	↘																																																																									
10:	9.6	←																																																																									
Serie		97.0																																																																									
Total		97.0																																																																									
11:	9.7	↑																																																																									
12:	9.4	←																																																																									
13:	9.8	←																																																																									
14:	8.9	↑																																																																									
15:	9.7	←																																																																									
16:	10.0	↑																																																																									
17:	9.4	↑																																																																									
18:	10.0	→																																																																									
19:	*10.7	↗																																																																									
20:	10.1	↖																																																																									
Serie		93.0																																																																									
Total		190.0																																																																									
<p>60 Skud</p>  <p style="text-align: center;">7 8 7</p>	<table border="1" style="width:100%; border-collapse: collapse;"> <tr><td>21:</td><td>9.8</td><td>→</td></tr> <tr><td>22:</td><td>*10.4</td><td>↗</td></tr> <tr><td>23:</td><td>10.1</td><td>↘</td></tr> <tr><td>24:</td><td>10.0</td><td>↘</td></tr> <tr><td>25:</td><td>*10.3</td><td>→</td></tr> <tr><td>26:</td><td>9.7</td><td>→</td></tr> <tr><td>27:</td><td>9.3</td><td>↗</td></tr> <tr><td>28:</td><td>9.9</td><td>↗</td></tr> <tr><td>29:</td><td>*10.4</td><td>↘</td></tr> <tr><td>30:</td><td>*10.6</td><td>↘</td></tr> <tr><td colspan="2">Serie</td><td>96.0</td></tr> <tr><td colspan="2">Total</td><td>286.0</td></tr> </table>	21:	9.8	→	22:	*10.4	↗	23:	10.1	↘	24:	10.0	↘	25:	*10.3	→	26:	9.7	→	27:	9.3	↗	28:	9.9	↗	29:	*10.4	↘	30:	*10.6	↘	Serie		96.0	Total		286.0	<p>60 Skud</p>  <p style="text-align: center;">7 8 7</p>	<table border="1" style="width:100%; border-collapse: collapse;"> <tr><td>31:</td><td>10.1</td><td>↗</td></tr> <tr><td>32:</td><td>9.9</td><td>↓</td></tr> <tr><td>33:</td><td>*10.5</td><td>→</td></tr> <tr><td>34:</td><td>*10.3</td><td>↗</td></tr> <tr><td>35:</td><td>*10.7</td><td>↓</td></tr> <tr><td>36:</td><td>8.7</td><td>→</td></tr> <tr><td>37:</td><td>10.1</td><td>←</td></tr> <tr><td>38:</td><td>9.7</td><td>→</td></tr> <tr><td>39:</td><td>8.5</td><td>→</td></tr> <tr><td>40:</td><td>*10.5</td><td>↘</td></tr> <tr><td colspan="2">Serie</td><td>94.0</td></tr> <tr><td colspan="2">Total</td><td>380.0</td></tr> </table>	31:	10.1	↗	32:	9.9	↓	33:	*10.5	→	34:	*10.3	↗	35:	*10.7	↓	36:	8.7	→	37:	10.1	←	38:	9.7	→	39:	8.5	→	40:	*10.5	↘	Serie		94.0	Total		380.0
21:	9.8	→																																																																									
22:	*10.4	↗																																																																									
23:	10.1	↘																																																																									
24:	10.0	↘																																																																									
25:	*10.3	→																																																																									
26:	9.7	→																																																																									
27:	9.3	↗																																																																									
28:	9.9	↗																																																																									
29:	*10.4	↘																																																																									
30:	*10.6	↘																																																																									
Serie		96.0																																																																									
Total		286.0																																																																									
31:	10.1	↗																																																																									
32:	9.9	↓																																																																									
33:	*10.5	→																																																																									
34:	*10.3	↗																																																																									
35:	*10.7	↓																																																																									
36:	8.7	→																																																																									
37:	10.1	←																																																																									
38:	9.7	→																																																																									
39:	8.5	→																																																																									
40:	*10.5	↘																																																																									
Serie		94.0																																																																									
Total		380.0																																																																									
<p>60 Skud</p>  <p style="text-align: center;">7 8 7</p>	<table border="1" style="width:100%; border-collapse: collapse;"> <tr><td>41:</td><td>*10.4</td><td>↘</td></tr> <tr><td>42:</td><td>*10.4</td><td>→</td></tr> <tr><td>43:</td><td>9.6</td><td>↘</td></tr> <tr><td>44:</td><td>*10.2</td><td>↘</td></tr> <tr><td>45:</td><td>9.4</td><td>→</td></tr> <tr><td>46:</td><td>*10.6</td><td>↗</td></tr> <tr><td>47:</td><td>*10.5</td><td>↘</td></tr> <tr><td>48:</td><td>9.5</td><td>↑</td></tr> <tr><td>49:</td><td>*10.6</td><td>↗</td></tr> <tr><td>50:</td><td>9.9</td><td>→</td></tr> <tr><td colspan="2">Serie</td><td>96.0</td></tr> <tr><td colspan="2">Total</td><td>476.0</td></tr> </table>	41:	*10.4	↘	42:	*10.4	→	43:	9.6	↘	44:	*10.2	↘	45:	9.4	→	46:	*10.6	↗	47:	*10.5	↘	48:	9.5	↑	49:	*10.6	↗	50:	9.9	→	Serie		96.0	Total		476.0	<p>60 Skud</p>  <p style="text-align: center;">7 8 7</p>	<table border="1" style="width:100%; border-collapse: collapse;"> <tr><td>51:</td><td>9.7</td><td>↓</td></tr> <tr><td>52:</td><td>*10.2</td><td>↗</td></tr> <tr><td>53:</td><td>10.0</td><td>→</td></tr> <tr><td>54:</td><td>8.9</td><td>→</td></tr> <tr><td>55:</td><td>9.7</td><td>←</td></tr> <tr><td>56:</td><td>*10.4</td><td>↘</td></tr> <tr><td>57:</td><td>10.0</td><td>↘</td></tr> <tr><td>58:</td><td>9.7</td><td>↘</td></tr> <tr><td>59:</td><td>10.0</td><td>↘</td></tr> <tr><td>60:</td><td>9.3</td><td>↖</td></tr> <tr><td colspan="2">Serie</td><td>94.0</td></tr> <tr><td colspan="2">Total</td><td>570.0</td></tr> </table>	51:	9.7	↓	52:	*10.2	↗	53:	10.0	→	54:	8.9	→	55:	9.7	←	56:	*10.4	↘	57:	10.0	↘	58:	9.7	↘	59:	10.0	↘	60:	9.3	↖	Serie		94.0	Total		570.0
41:	*10.4	↘																																																																									
42:	*10.4	→																																																																									
43:	9.6	↘																																																																									
44:	*10.2	↘																																																																									
45:	9.4	→																																																																									
46:	*10.6	↗																																																																									
47:	*10.5	↘																																																																									
48:	9.5	↑																																																																									
49:	*10.6	↗																																																																									
50:	9.9	→																																																																									
Serie		96.0																																																																									
Total		476.0																																																																									
51:	9.7	↓																																																																									
52:	*10.2	↗																																																																									
53:	10.0	→																																																																									
54:	8.9	→																																																																									
55:	9.7	←																																																																									
56:	*10.4	↘																																																																									
57:	10.0	↘																																																																									
58:	9.7	↘																																																																									
59:	10.0	↘																																																																									
60:	9.3	↖																																																																									
Serie		94.0																																																																									
Total		570.0																																																																									

<p>Prøve</p> 	<p>1: 7.6 →</p> <p>2: 7.8 →</p> <p>3: 9.7 ↘</p> <p>4: *10.4 ↘</p> <p>5: 7.9 →</p> <p>6: 9.8 ↓</p> <p>7: 10.1 ↓</p> <p>8: *10.5 ←</p> <p>9: 9.9 ↗</p> <p>10: *10.3 ←</p> <p>Serie 88.0</p> <p>Total 0.0</p>	<p>60 Skud</p>  <p>1: 10.0 →</p> <p>2: 9.6 ←</p> <p>3: 9.9 ↗</p> <p>4: *10.6 ↗</p> <p>5: *10.3 ↘</p> <p>6: *10.2 →</p> <p>7: *10.5 ←</p> <p>8: *10.6 ↗</p> <p>9: *10.4 ←</p> <p>10: 10.1 ↗</p> <p>Serie 98.0</p> <p>Total 98.0</p>
<p>60 Skud</p> 	<p>11: 9.6 ←</p> <p>12: *10.5 ↗</p> <p>13: *10.3 →</p> <p>14: *10.8 ↘</p> <p>15: 9.5 ↗</p> <p>16: *10.3 ↗</p> <p>17: 9.8 ↓</p> <p>18: *10.8 ←</p> <p>19: 9.6 ↘</p> <p>20: *10.7 ↗</p> <p>Serie 96.0</p> <p>Total 194.0</p>	<p>60 Skud</p>  <p>21: 10.1 ↗</p> <p>22: 9.6 ↗</p> <p>23: 10.1 →</p> <p>24: *10.5 ←</p> <p>25: *10.3 ↘</p> <p>26: 9.7 ↗</p> <p>27: 9.9 ←</p> <p>28: *10.7 ←</p> <p>29: *10.2 →</p> <p>30: 10.0 ↘</p> <p>Serie 97.0</p> <p>Total 291.0</p>
<p>60 Skud</p> 	<p>31: *10.6 ↘</p> <p>32: 9.6 ↗</p> <p>33: *10.6 ↘</p> <p>34: *10.4 ↘</p> <p>35: *10.3 ↘</p> <p>36: *10.2 ←</p> <p>37: 10.1 ↑</p> <p>38: *10.6 ↗</p> <p>39: *10.3 ↗</p> <p>40: *10.3 ↗</p> <p>Serie 99.0</p> <p>Total 390.0</p>	<p>60 Skud</p>  <p>41: *10.2 ←</p> <p>42: 10.1 →</p> <p>43: 10.1 ↘</p> <p>44: 8.9 →</p> <p>45: *10.5 ↗</p> <p>46: 9.9 ↗</p> <p>47: 9.8 ↗</p> <p>48: 9.8 ←</p> <p>49: *10.2 ←</p> <p>50: *10.5 →</p> <p>Serie 95.0</p> <p>Total 485.0</p>
<p>60 Skud</p> 	<p>51: 9.6 ←</p> <p>52: *10.8 →</p> <p>53: *10.3 ↘</p> <p>54: *10.4 ↗</p> <p>55: *10.5 ↑</p> <p>56: *10.7 ↘</p> <p>57: *10.5 ←</p> <p>58: *10.5 ←</p> <p>59: 10.0 →</p> <p>60: 9.1 ←</p> <p>Serie 98.0</p> <p>Total 583.0</p>	

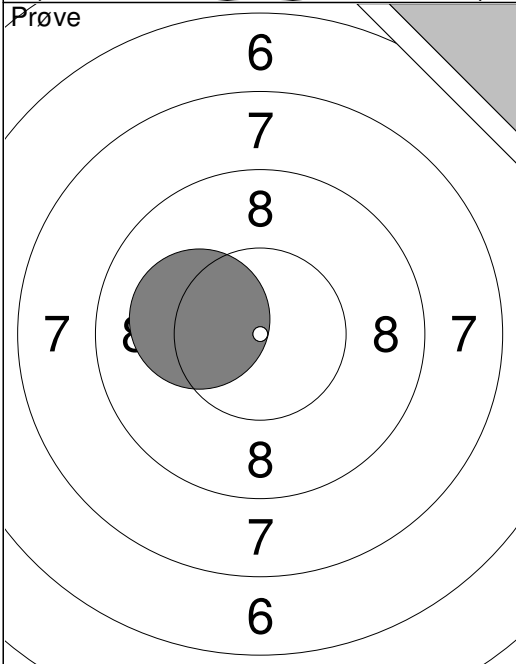
Prøve 	<table border="1" style="width:100%; border-collapse: collapse;"> <tr><td>1:</td><td>10.1</td><td>↓</td></tr> <tr><td>2:</td><td>*10.3</td><td>↗</td></tr> <tr><td>3:</td><td>8.8</td><td>→</td></tr> <tr><td>4:</td><td>*10.4</td><td>↑</td></tr> <tr><td>5:</td><td>*10.4</td><td>↗</td></tr> <tr><td>6:</td><td>*10.7</td><td>↖</td></tr> <tr><td>7:</td><td>*10.8</td><td>↖</td></tr> <tr><td>8:</td><td>*10.6</td><td>↖</td></tr> <tr><td colspan="2">Serie</td><td>78.0</td></tr> <tr><td colspan="2">Total</td><td>0.0</td></tr> </table>	1:	10.1	↓	2:	*10.3	↗	3:	8.8	→	4:	*10.4	↑	5:	*10.4	↗	6:	*10.7	↖	7:	*10.8	↖	8:	*10.6	↖	Serie		78.0	Total		0.0	60 Skud  <table border="1" style="width:100%; border-collapse: collapse;"> <tr><td>1:</td><td>9.9</td><td>↗</td></tr> <tr><td>2:</td><td>*10.5</td><td>↗</td></tr> <tr><td>3:</td><td>*10.3</td><td>↑</td></tr> <tr><td>4:</td><td>10.0</td><td>→</td></tr> <tr><td>5:</td><td>10.1</td><td>→</td></tr> <tr><td>6:</td><td>9.9</td><td>↖</td></tr> <tr><td>7:</td><td>9.8</td><td>↗</td></tr> <tr><td>8:</td><td>9.9</td><td>↓</td></tr> <tr><td>9:</td><td>*10.4</td><td>↖</td></tr> <tr><td>10:</td><td>9.9</td><td>→</td></tr> <tr><td colspan="2">Serie</td><td>95.0</td></tr> <tr><td colspan="2">Total</td><td>95.0</td></tr> </table>	1:	9.9	↗	2:	*10.5	↗	3:	*10.3	↑	4:	10.0	→	5:	10.1	→	6:	9.9	↖	7:	9.8	↗	8:	9.9	↓	9:	*10.4	↖	10:	9.9	→	Serie		95.0	Total		95.0						
1:	10.1	↓																																																																								
2:	*10.3	↗																																																																								
3:	8.8	→																																																																								
4:	*10.4	↑																																																																								
5:	*10.4	↗																																																																								
6:	*10.7	↖																																																																								
7:	*10.8	↖																																																																								
8:	*10.6	↖																																																																								
Serie		78.0																																																																								
Total		0.0																																																																								
1:	9.9	↗																																																																								
2:	*10.5	↗																																																																								
3:	*10.3	↑																																																																								
4:	10.0	→																																																																								
5:	10.1	→																																																																								
6:	9.9	↖																																																																								
7:	9.8	↗																																																																								
8:	9.9	↓																																																																								
9:	*10.4	↖																																																																								
10:	9.9	→																																																																								
Serie		95.0																																																																								
Total		95.0																																																																								
60 Skud 	<table border="1" style="width:100%; border-collapse: collapse;"> <tr><td>11:</td><td>10.0</td><td>→</td></tr> <tr><td>12:</td><td>*10.3</td><td>↖</td></tr> <tr><td>13:</td><td>*10.4</td><td>→</td></tr> <tr><td>14:</td><td>8.7</td><td>→</td></tr> <tr><td>15:</td><td>10.0</td><td>↓</td></tr> <tr><td>16:</td><td>*10.5</td><td>↑</td></tr> <tr><td>17:</td><td>*10.2</td><td>↗</td></tr> <tr><td>18:</td><td>9.5</td><td>↘</td></tr> <tr><td>19:</td><td>*10.6</td><td>↖</td></tr> <tr><td>20:</td><td>*10.3</td><td>↗</td></tr> <tr><td colspan="2">Serie</td><td>97.0</td></tr> <tr><td colspan="2">Total</td><td>192.0</td></tr> </table>	11:	10.0	→	12:	*10.3	↖	13:	*10.4	→	14:	8.7	→	15:	10.0	↓	16:	*10.5	↑	17:	*10.2	↗	18:	9.5	↘	19:	*10.6	↖	20:	*10.3	↗	Serie		97.0	Total		192.0	60 Skud  <table border="1" style="width:100%; border-collapse: collapse;"> <tr><td>21:</td><td>*10.4</td><td>↗</td></tr> <tr><td>22:</td><td>9.5</td><td>↗</td></tr> <tr><td>23:</td><td>10.1</td><td>↗</td></tr> <tr><td>24:</td><td>*10.2</td><td>↗</td></tr> <tr><td>25:</td><td>*10.6</td><td>↖</td></tr> <tr><td>26:</td><td>*10.5</td><td>↗</td></tr> <tr><td>27:</td><td>9.4</td><td>→</td></tr> <tr><td>28:</td><td>9.6</td><td>↘</td></tr> <tr><td>29:</td><td>*10.9</td><td>↗</td></tr> <tr><td>30:</td><td>10.0</td><td>→</td></tr> <tr><td colspan="2">Serie</td><td>97.0</td></tr> <tr><td colspan="2">Total</td><td>289.0</td></tr> </table>	21:	*10.4	↗	22:	9.5	↗	23:	10.1	↗	24:	*10.2	↗	25:	*10.6	↖	26:	*10.5	↗	27:	9.4	→	28:	9.6	↘	29:	*10.9	↗	30:	10.0	→	Serie		97.0	Total		289.0
11:	10.0	→																																																																								
12:	*10.3	↖																																																																								
13:	*10.4	→																																																																								
14:	8.7	→																																																																								
15:	10.0	↓																																																																								
16:	*10.5	↑																																																																								
17:	*10.2	↗																																																																								
18:	9.5	↘																																																																								
19:	*10.6	↖																																																																								
20:	*10.3	↗																																																																								
Serie		97.0																																																																								
Total		192.0																																																																								
21:	*10.4	↗																																																																								
22:	9.5	↗																																																																								
23:	10.1	↗																																																																								
24:	*10.2	↗																																																																								
25:	*10.6	↖																																																																								
26:	*10.5	↗																																																																								
27:	9.4	→																																																																								
28:	9.6	↘																																																																								
29:	*10.9	↗																																																																								
30:	10.0	→																																																																								
Serie		97.0																																																																								
Total		289.0																																																																								
60 Skud 	<table border="1" style="width:100%; border-collapse: collapse;"> <tr><td>31:</td><td>9.5</td><td>↖</td></tr> <tr><td>32:</td><td>9.7</td><td>↗</td></tr> <tr><td>33:</td><td>*10.6</td><td>↗</td></tr> <tr><td>34:</td><td>9.6</td><td>↗</td></tr> <tr><td>35:</td><td>*10.2</td><td>↗</td></tr> <tr><td>36:</td><td>9.9</td><td>↗</td></tr> <tr><td>37:</td><td>*10.3</td><td>→</td></tr> <tr><td>38:</td><td>9.0</td><td>↖</td></tr> <tr><td>39:</td><td>10.1</td><td>→</td></tr> <tr><td>40:</td><td>*10.7</td><td>→</td></tr> <tr><td colspan="2">Serie</td><td>95.0</td></tr> <tr><td colspan="2">Total</td><td>384.0</td></tr> </table>	31:	9.5	↖	32:	9.7	↗	33:	*10.6	↗	34:	9.6	↗	35:	*10.2	↗	36:	9.9	↗	37:	*10.3	→	38:	9.0	↖	39:	10.1	→	40:	*10.7	→	Serie		95.0	Total		384.0	60 Skud  <table border="1" style="width:100%; border-collapse: collapse;"> <tr><td>41:</td><td>9.4</td><td>↖</td></tr> <tr><td>42:</td><td>*10.7</td><td>→</td></tr> <tr><td>43:</td><td>9.8</td><td>↗</td></tr> <tr><td>44:</td><td>9.6</td><td>↖</td></tr> <tr><td>45:</td><td>*10.8</td><td>↖</td></tr> <tr><td>46:</td><td>*10.7</td><td>↖</td></tr> <tr><td>47:</td><td>*10.5</td><td>↑</td></tr> <tr><td>48:</td><td>*10.5</td><td>↓</td></tr> <tr><td>49:</td><td>10.1</td><td>↖</td></tr> <tr><td>50:</td><td>8.5</td><td>↘</td></tr> <tr><td colspan="2">Serie</td><td>95.0</td></tr> <tr><td colspan="2">Total</td><td>479.0</td></tr> </table>	41:	9.4	↖	42:	*10.7	→	43:	9.8	↗	44:	9.6	↖	45:	*10.8	↖	46:	*10.7	↖	47:	*10.5	↑	48:	*10.5	↓	49:	10.1	↖	50:	8.5	↘	Serie		95.0	Total		479.0
31:	9.5	↖																																																																								
32:	9.7	↗																																																																								
33:	*10.6	↗																																																																								
34:	9.6	↗																																																																								
35:	*10.2	↗																																																																								
36:	9.9	↗																																																																								
37:	*10.3	→																																																																								
38:	9.0	↖																																																																								
39:	10.1	→																																																																								
40:	*10.7	→																																																																								
Serie		95.0																																																																								
Total		384.0																																																																								
41:	9.4	↖																																																																								
42:	*10.7	→																																																																								
43:	9.8	↗																																																																								
44:	9.6	↖																																																																								
45:	*10.8	↖																																																																								
46:	*10.7	↖																																																																								
47:	*10.5	↑																																																																								
48:	*10.5	↓																																																																								
49:	10.1	↖																																																																								
50:	8.5	↘																																																																								
Serie		95.0																																																																								
Total		479.0																																																																								
60 Skud 	<table border="1" style="width:100%; border-collapse: collapse;"> <tr><td>51:</td><td>10.0</td><td>→</td></tr> <tr><td>52:</td><td>9.8</td><td>↓</td></tr> <tr><td>53:</td><td>9.3</td><td>↖</td></tr> <tr><td>54:</td><td>*10.5</td><td>↘</td></tr> <tr><td>55:</td><td>7.4</td><td>→</td></tr> <tr><td>56:</td><td>9.8</td><td>↖</td></tr> <tr><td>57:</td><td>*10.6</td><td>↖</td></tr> <tr><td>58:</td><td>*10.4</td><td>↗</td></tr> <tr><td>59:</td><td>10.0</td><td>↓</td></tr> <tr><td>60:</td><td>9.2</td><td>↘</td></tr> <tr><td colspan="2">Serie</td><td>93.0</td></tr> <tr><td colspan="2">Total</td><td>572.0</td></tr> </table>	51:	10.0	→	52:	9.8	↓	53:	9.3	↖	54:	*10.5	↘	55:	7.4	→	56:	9.8	↖	57:	*10.6	↖	58:	*10.4	↗	59:	10.0	↓	60:	9.2	↘	Serie		93.0	Total		572.0																																					
51:	10.0	→																																																																								
52:	9.8	↓																																																																								
53:	9.3	↖																																																																								
54:	*10.5	↘																																																																								
55:	7.4	→																																																																								
56:	9.8	↖																																																																								
57:	*10.6	↖																																																																								
58:	*10.4	↗																																																																								
59:	10.0	↓																																																																								
60:	9.2	↘																																																																								
Serie		93.0																																																																								
Total		572.0																																																																								



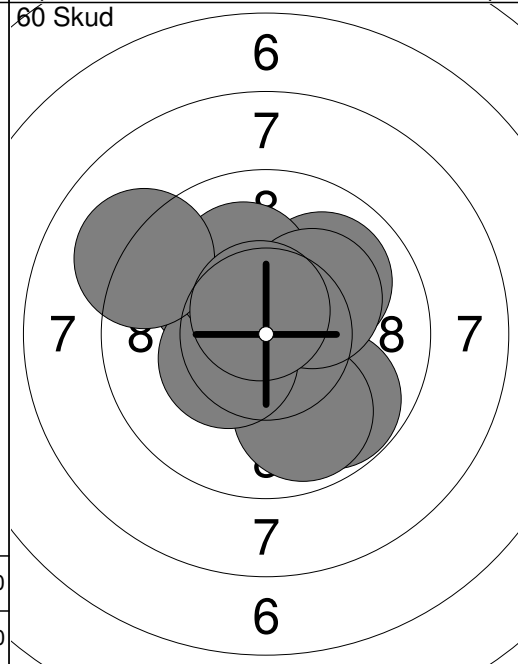
1:	9.8	↘
2:	*10.5	↘
3:	8.0	→
4:	*10.6	←
5:	9.2	↗
6:	8.0	←
7:	9.9	←
8:	*10.8	↗
9:	*10.5	←
10:	*10.8	↗
Serie		93.0
Total		0.0



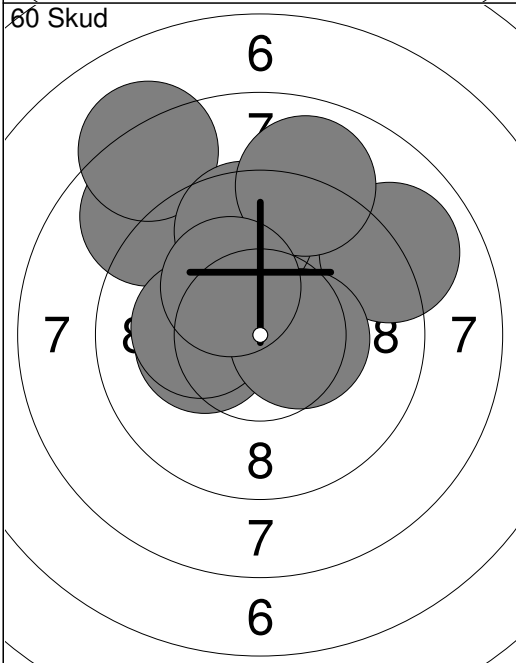
11:	9.1	←
12:	*10.4	←
13:	*10.4	←
14:	9.7	←
15:	8.6	←
16:	9.0	↘
17:	*10.7	←
18:	*10.4	↗
19:	9.8	←
20:	*10.4	↘
Serie		94.0
Total		0.0



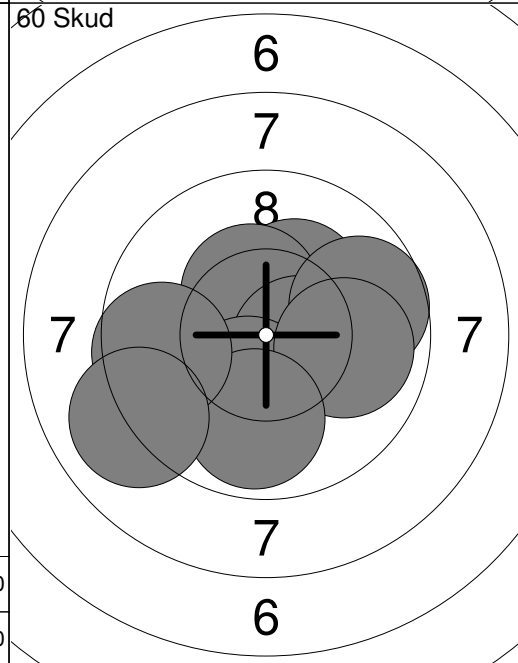
21:	10.1	←
Serie		10.0
Total		0.0



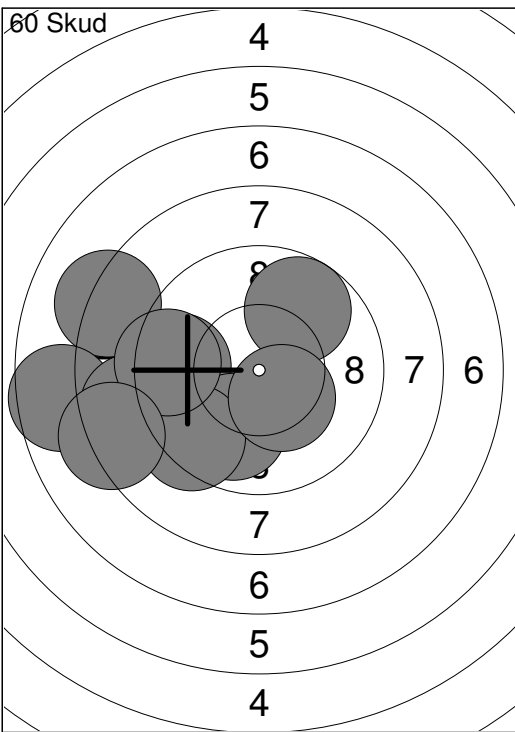
1:	10.1	↗
2:	9.8	↘
3:	10.0	↗
4:	9.9	↘
5:	10.1	↗
6:	*10.4	←
7:	10.1	↗
8:	*10.2	↗
9:	9.1	↘
10:	*10.6	↗
Serie		97.0
Total		97.0



11:	8.9	↘
12:	*10.3	↗
13:	9.0	↗
14:	8.2	↗
15:	9.6	↗
16:	*10.2	←
17:	*10.2	←
18:	9.0	↗
19:	*10.4	→
20:	*10.2	↗
Serie		93.0
Total		190.0

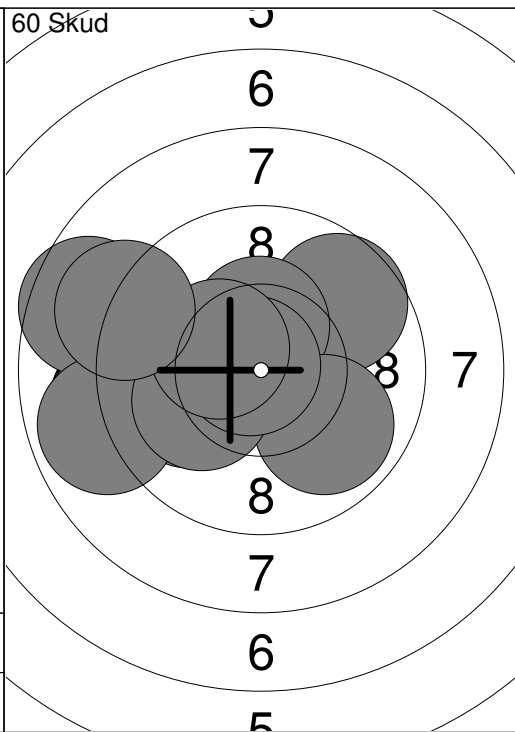


21:	10.0	←
22:	*10.3	↗
23:	*10.4	↗
24:	*10.5	→
25:	*10.3	↘
26:	9.7	→
27:	9.9	→
28:	9.9	↘
29:	9.6	←
30:	9.0	←
Serie		95.0
Total		285.0



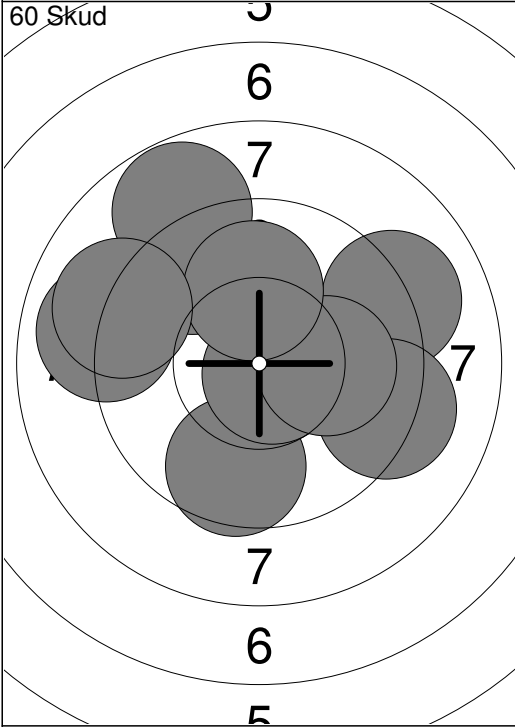
31:	8.2	↖
32:	9.6	←
33:	9.9	↙
34:	9.8	↗
35:	7.6	←
36:	8.8	←
37:	9.3	↙
38:	*10.3	↘
39:	9.4	←
40:	8.2	←

Serie	86.0
Total	371.0



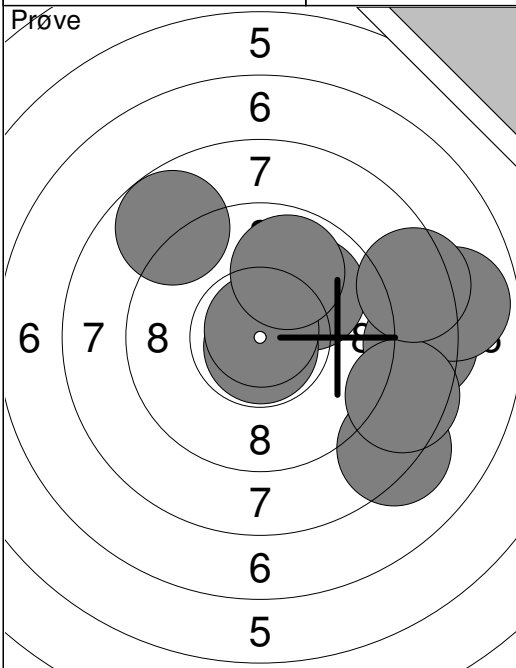
41:	9.7	↗
42:	10.0	←
43:	8.6	↖
44:	*10.4	↑
45:	8.9	←
46:	9.9	↘
47:	10.1	↖
48:	*10.8	↖
49:	*10.3	↖
50:	9.1	↖

Serie	93.0
Total	464.0

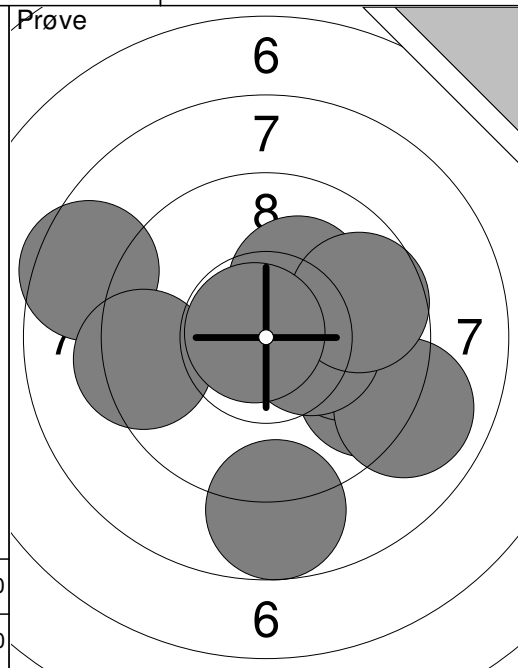


51:	9.1	↗
52:	9.6	↙
53:	9.2	→
54:	9.4	↗
55:	9.0	←
56:	8.8	↗
57:	*10.7	↘
58:	10.1	→
59:	10.0	↑
60:	9.1	↖

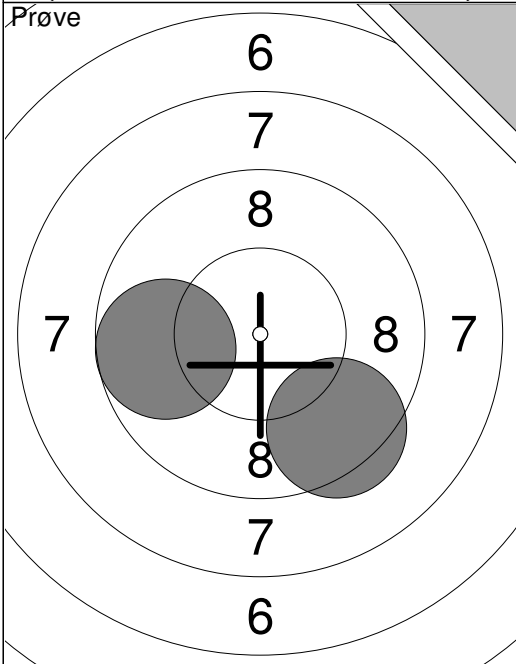
Serie	92.0
Total	556.0



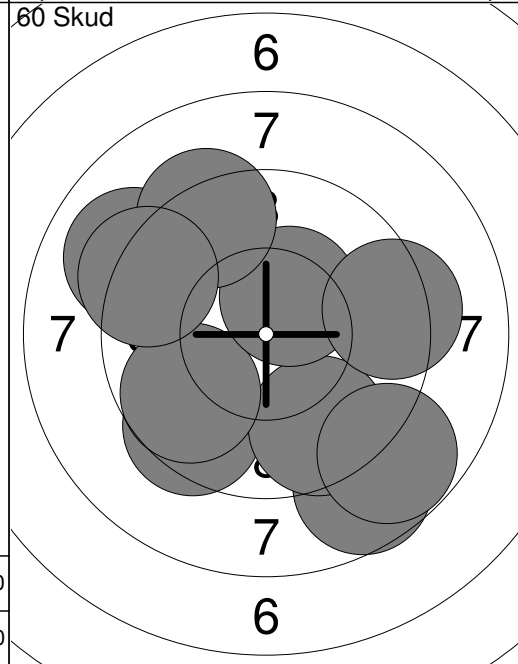
1:	8.8	↗
2:	9.9	↗
3:	8.2	↘
4:	8.4	→
5:	*10.8	↘
6:	7.9	→
7:	*10.8	↗
8:	9.8	↗
9:	8.5	→
10:	8.4	→
Serie		85.0
Total		0.0



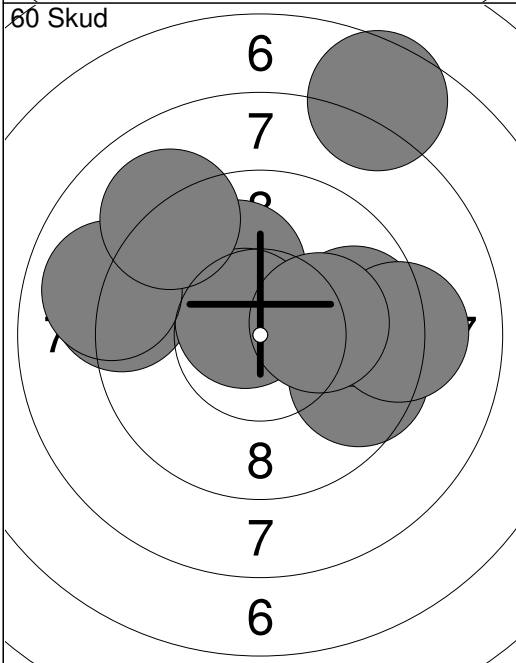
11:	9.5	↘
12:	*10.2	↗
13:	8.5	↖
14:	9.4	↖
15:	9.9	→
16:	8.7	↘
17:	9.0	↘
18:	*10.4	→
19:	9.7	↗
20:	*10.8	↖
Serie		91.0
Total		0.0



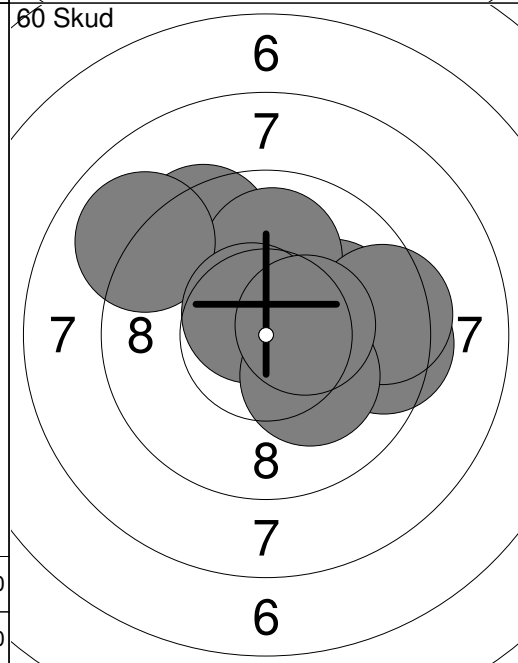
21:	9.7	↖
22:	9.4	↘
Serie		18.0
Total		0.0



1:	8.7	↘
2:	9.5	↖
3:	9.6	↘
4:	8.8	↘
5:	9.0	↗
6:	9.7	↖
7:	*10.4	↗
8:	9.3	↗
9:	9.3	→
10:	9.3	↖
Serie		89.0
Total		89.0

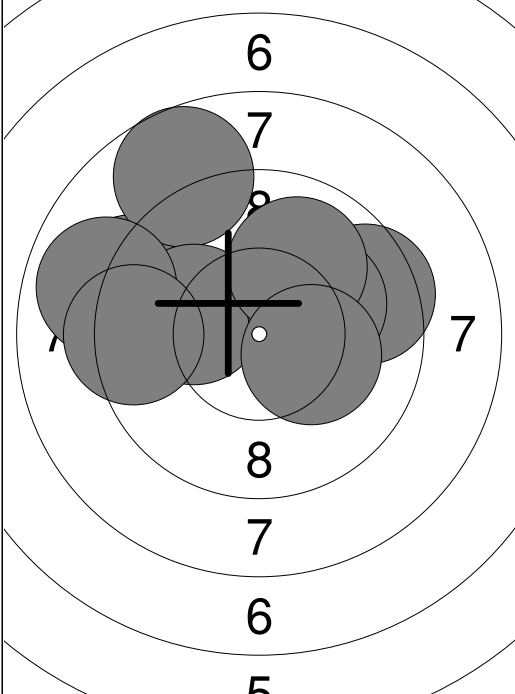


11:	9.6	↘
12:	10.1	↗
13:	9.1	↖
14:	*10.7	↗
15:	9.7	→
16:	9.0	↖
17:	9.1	↗
18:	7.6	↗
19:	9.2	→
20:	*10.2	→
Serie		91.0
Total		180.0



21:	*10.3	↗
22:	9.4	↗
23:	10.1	↗
24:	9.4	→
25:	10.0	↗
26:	9.0	↗
27:	9.4	→
28:	*10.6	↗
29:	*10.2	↘
30:	*10.4	→
Serie		96.0
Total		276.0

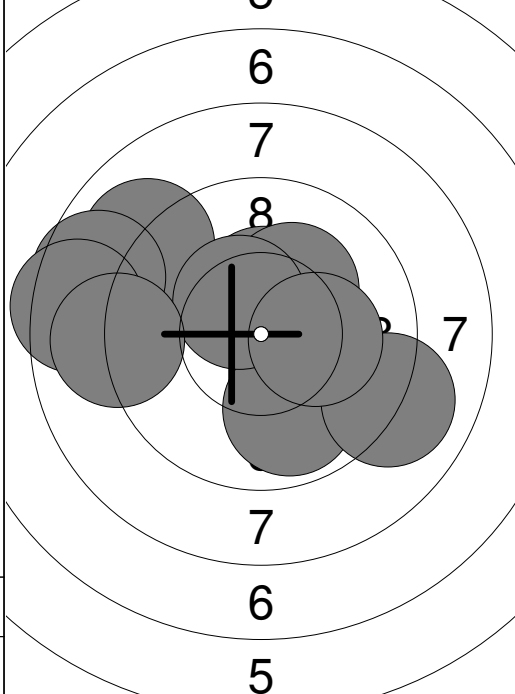
60 Skud



31:	9.4	↖
32:	9.2	↖
33:	8.7	↗
34:	10.1	↖
35:	9.5	↗
36:	10.1	↗
37:	10.0	↗
38:	8.9	↖
39:	*10.2	↗
40:	9.3	↖

Serie	92.0
Total	368.0

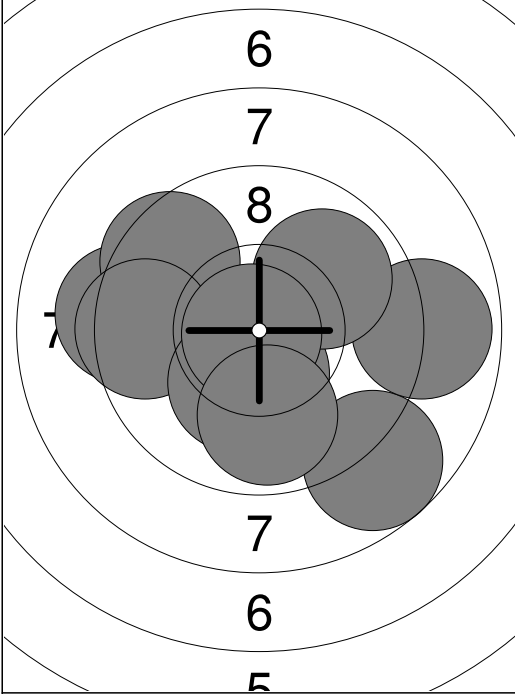
60 Skud



41:	*10.4	↗
42:	9.9	↘
43:	*10.2	↗
44:	9.0	↗
45:	8.6	↖
46:	8.5	↖
47:	9.0	↘
48:	*10.4	↗
49:	9.0	↖
50:	*10.2	↗

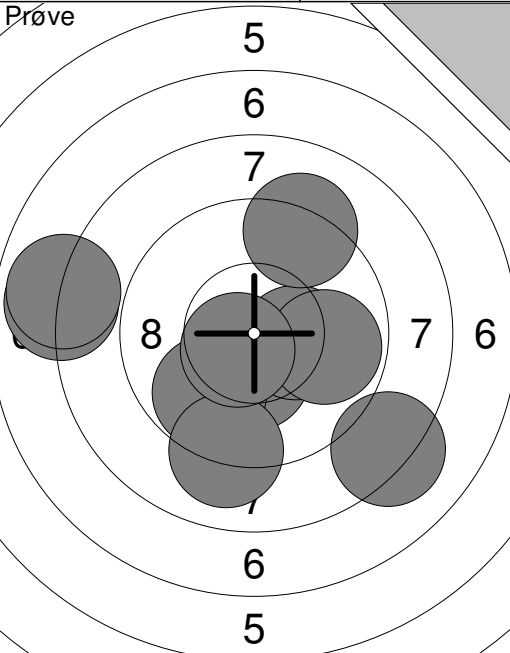
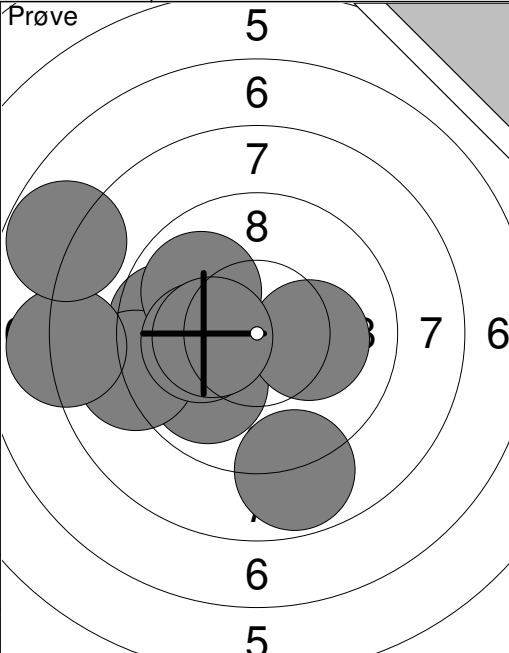
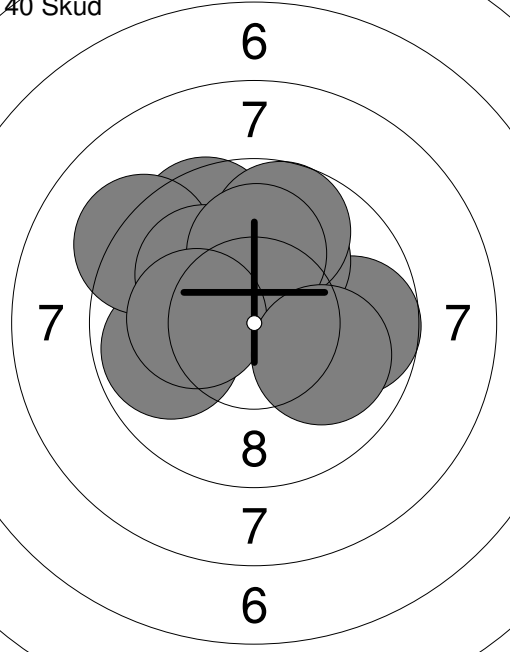
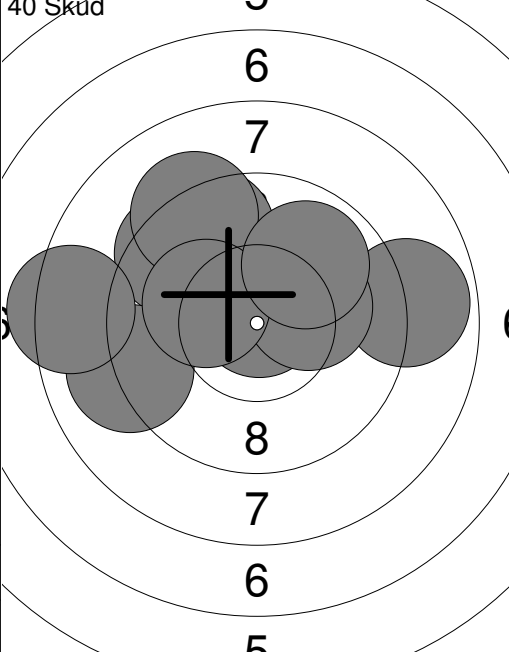
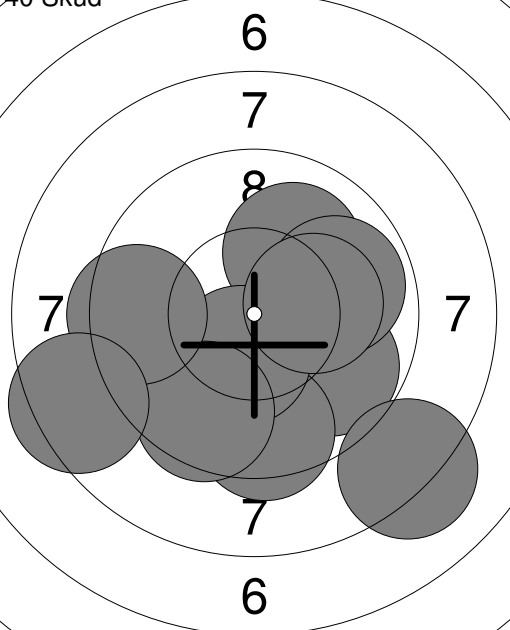
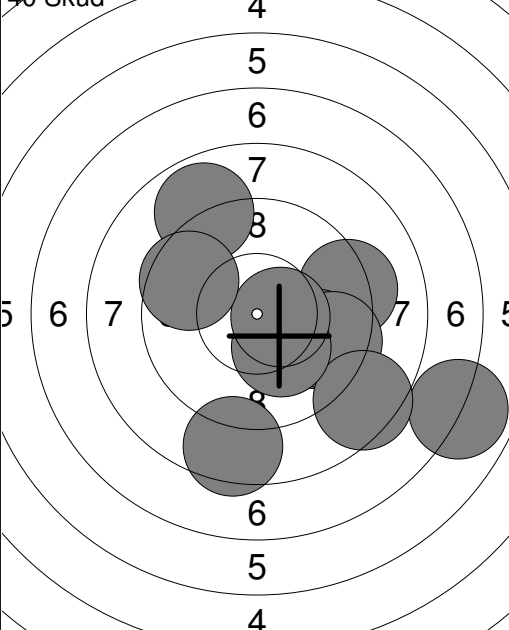
Serie	92.0
Total	460.0

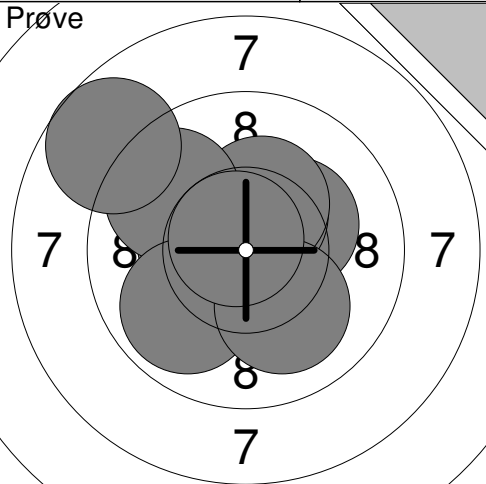
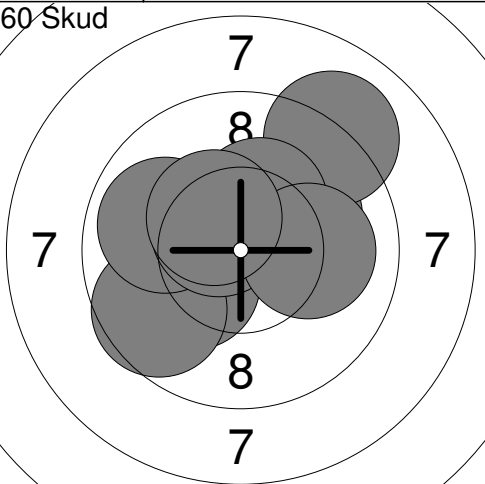
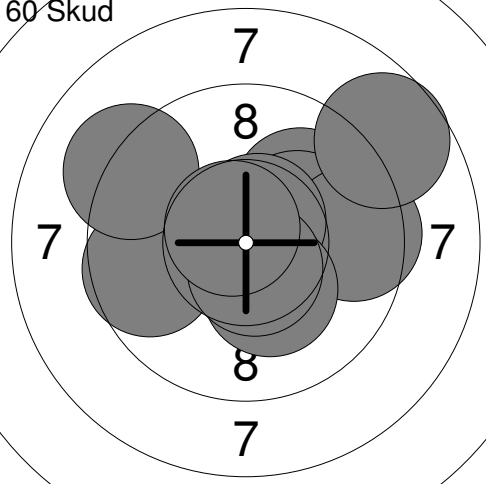
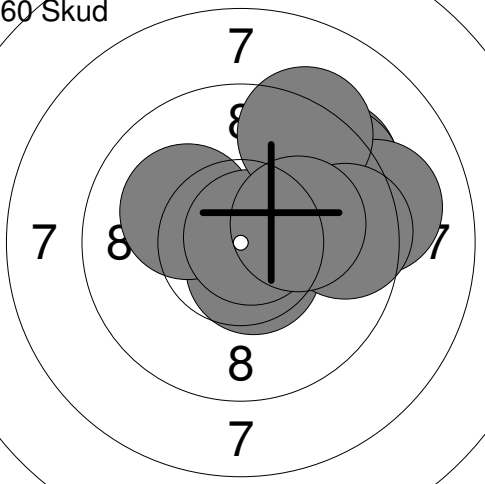
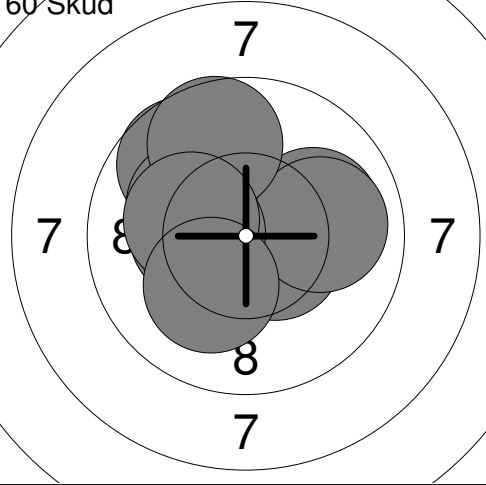
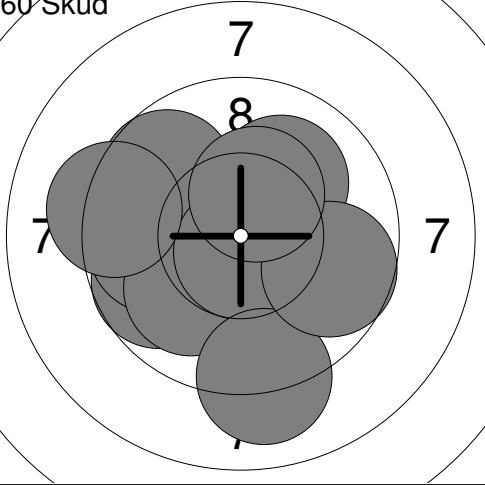
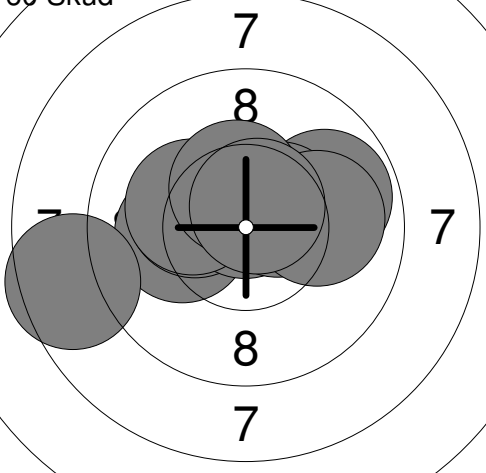
60 Skud

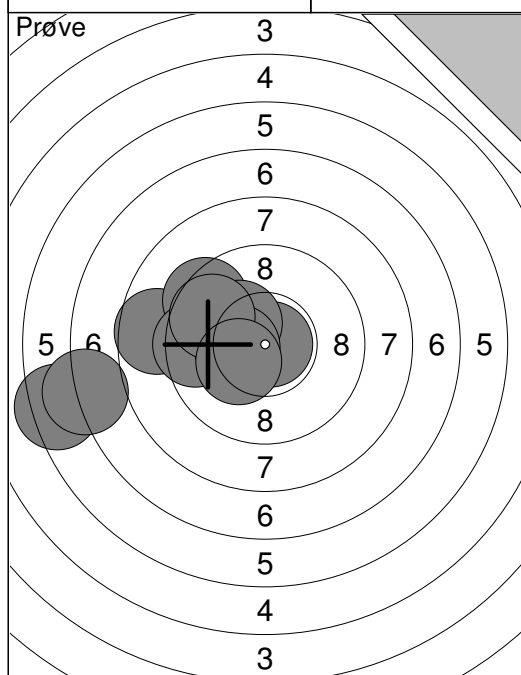


51:	9.2	↖
52:	9.5	↗
53:	8.7	↘
54:	8.9	→
55:	9.5	↖
56:	*10.4	↓
57:	*10.2	↓
58:	9.9	↗
59:	*10.8	↖
60:	9.9	↓

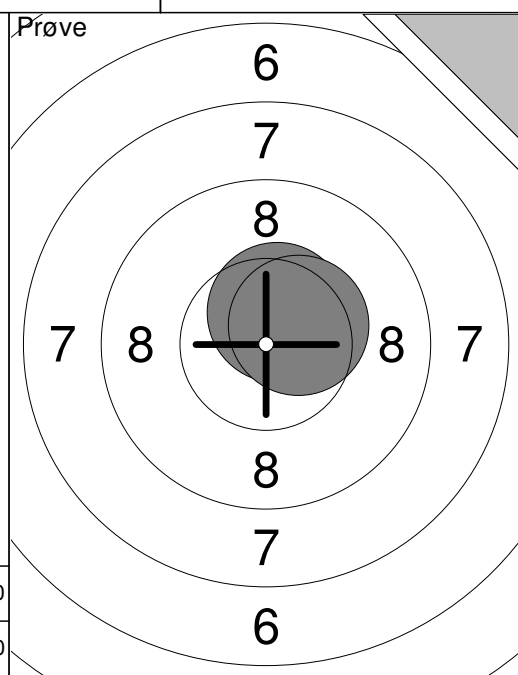
Serie	91.0
Total	551.0

<p>Prøve</p>  <p style="text-align: center;">5 6 7 8 7 6 6 5</p>	<p>1: *10.3 ↓ 2: 8.2 ↘ 3: *10.3 → 4: 9.8 → 5: 9.8 ↘ 6: 9.1 ↓ 7: *10.6 ↘ 8: 7.9 ← 9: 7.9 ← 10: 9.2 ↗</p> <table border="1" style="width:100%; border-collapse: collapse;"> <tr><td>Serie</td><td style="text-align: right;">88.0</td></tr> <tr><td>Total</td><td style="text-align: right;">0.0</td></tr> </table>	Serie	88.0	Total	0.0	<p>Prøve</p>  <p style="text-align: center;">5 6 7 8 7 6 6 5</p>	<p>11: 9.6 ← 12: 9.9 ↘ 13: 9.1 ← 14: 8.1 ← 15: 9.9 ↗ 16: 8.8 ↓ 17: 10.1 ← 18: *10.2 → 19: 7.8 ↗ 20: *10.3 ←</p> <table border="1" style="width:100%; border-collapse: collapse;"> <tr><td>Serie</td><td style="text-align: right;">89.0</td></tr> <tr><td>Total</td><td style="text-align: right;">0.0</td></tr> </table>	Serie	89.0	Total	0.0
Serie	88.0										
Total	0.0										
Serie	89.0										
Total	0.0										
<p>40 Skud</p>  <p style="text-align: center;">6 7 7 7 8 7 6</p>	<p>1: 9.6 ↗ 2: 9.7 → 3: 9.8 ← 4: 10.1 ↗ 5: 9.2 ↗ 6: 9.7 ↗ 7: 10.1 ↗ 8: 10.1 ↑ 9: *10.2 ← 10: 10.0 →</p> <table border="1" style="width:100%; border-collapse: collapse;"> <tr><td>Serie</td><td style="text-align: right;">95.0</td></tr> <tr><td>Total</td><td style="text-align: right;">95.0</td></tr> </table>	Serie	95.0	Total	95.0	<p>40 Skud</p>  <p style="text-align: center;">6 7 7 7 8 7 6</p>	<p>11: 9.5 ↗ 12: 9.5 ↗ 13: 9.1 ← 14: 8.3 ← 15: *10.8 ↑ 16: 9.2 ↗ 17: 8.9 → 18: *10.2 → 19: *10.2 ← 20: 9.9 ↗</p> <table border="1" style="width:100%; border-collapse: collapse;"> <tr><td>Serie</td><td style="text-align: right;">91.0</td></tr> <tr><td>Total</td><td style="text-align: right;">186.0</td></tr> </table>	Serie	91.0	Total	186.0
Serie	95.0										
Total	95.0										
Serie	91.0										
Total	186.0										
<p>40 Skud</p>  <p style="text-align: center;">6 7 8 7 7 7 6</p>	<p>21: 9.8 ↘ 22: 9.5 ↓ 23: 10.0 ↗ 24: *10.4 ↓ 25: 9.9 → 26: 9.6 ↓ 27: 9.5 ← 28: *10.2 → 29: 8.4 ← 30: 8.2 ↘</p> <table border="1" style="width:100%; border-collapse: collapse;"> <tr><td>Serie</td><td style="text-align: right;">91.0</td></tr> <tr><td>Total</td><td style="text-align: right;">277.0</td></tr> </table>	Serie	91.0	Total	277.0	<p>40 Skud</p>  <p style="text-align: center;">5 4 5 6 7 8 7 6 5 6 7 6 5 5 4</p>	<p>31: 9.2 → 32: 8.9 ↗ 33: 6.9 ↘ 34: 9.8 → 35: 9.5 → 36: 8.5 ↓ 37: 8.5 ↓ 38: *10.2 ↓ 39: *10.5 → 40: 9.6 ←</p> <table border="1" style="width:100%; border-collapse: collapse;"> <tr><td>Serie</td><td style="text-align: right;">86.0</td></tr> <tr><td>Total</td><td style="text-align: right;">363.0</td></tr> </table>	Serie	86.0	Total	363.0
Serie	91.0										
Total	277.0										
Serie	86.0										
Total	363.0										

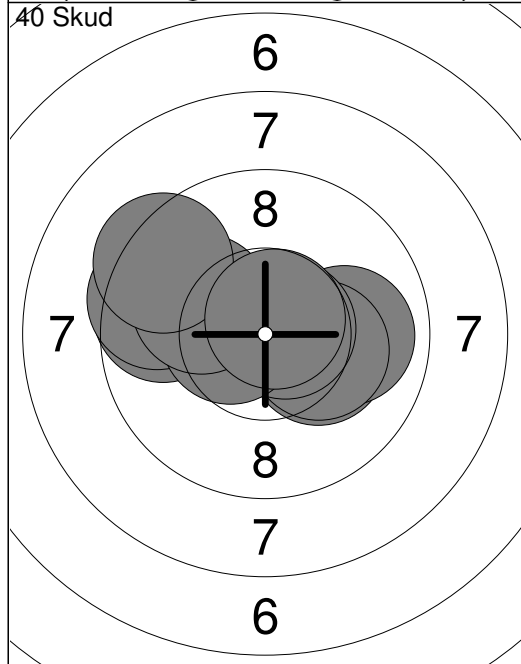
<p>Prøve</p> 	<p>1: *10.3 ↗</p> <p>2: *10.4 ←</p> <p>3: *10.2 ↘</p> <p>4: *10.4 ↗</p> <p>5: *10.3 ↗</p> <p>6: 9.7 ↗</p> <p>7: 8.7 ↗</p> <p>8: 9.9 ↘</p> <p>9: 10.1 ↘</p> <p>10: *10.8 ↗</p> <hr/> <p>Serie 96.0</p> <p>Total 0.0</p>	<p>60 Skud</p> 	<p>1: *10.2 ↖</p> <p>2: *10.2 ←</p> <p>3: 10.1 ↗</p> <p>4: 9.6 ↘</p> <p>5: 9.9 ↖</p> <p>6: 9.1 ↗</p> <p>7: *10.3 ↗</p> <p>8: *10.5 ↗</p> <p>9: 10.1 →</p> <p>10: *10.4 ↗</p> <hr/> <p>Serie 97.0</p> <p>Total 97.0</p>
<p>60 Skud</p> 	<p>11: 10.0 ↗</p> <p>12: *10.2 ↗</p> <p>13: 9.5 →</p> <p>14: 9.6 ←</p> <p>15: *10.6 ↗</p> <p>16: *10.3 ↘</p> <p>17: 9.2 ↗</p> <p>18: 8.7 ↗</p> <p>19: *10.6 ↘</p> <p>20: *10.7 ↗</p> <hr/> <p>Serie 95.0</p> <p>Total 192.0</p>	<p>60 Skud</p> 	<p>21: 9.4 ↗</p> <p>22: 10.0 →</p> <p>23: 9.4 ↗</p> <p>24: *10.6 ↘</p> <p>25: 9.1 →</p> <p>26: 10.1 ↖</p> <p>27: *10.8 ↗</p> <p>28: 9.3 ↗</p> <p>29: 9.6 →</p> <p>30: *10.2 →</p> <hr/> <p>Serie 95.0</p> <p>Total 287.0</p>
<p>60 Skud</p> 	<p>31: *10.4 ←</p> <p>32: 10.0 →</p> <p>33: *10.5 ↘</p> <p>34: 9.7 ↗</p> <p>35: *10.2 ↗</p> <p>36: 10.0 →</p> <p>37: *10.3 ←</p> <p>38: 9.7 ↗</p> <p>39: *10.2 ←</p> <p>40: *10.2 ↘</p> <hr/> <p>Serie 98.0</p> <p>Total 385.0</p>	<p>60 Skud</p> 	<p>41: 9.7 ↖</p> <p>42: 9.8 ←</p> <p>43: 9.7 ↖</p> <p>44: 10.0 ↘</p> <p>45: 10.1 ↗</p> <p>46: *10.7 ↘</p> <p>47: 9.1 ↘</p> <p>48: 9.2 ←</p> <p>49: 9.7 →</p> <p>50: *10.4 ↗</p> <hr/> <p>Serie 94.0</p> <p>Total 479.0</p>
<p>60 Skud</p> 	<p>51: 10.1 ←</p> <p>52: 9.8 →</p> <p>53: *10.2 ↖</p> <p>54: 8.6 ←</p> <p>55: *10.7 ↗</p> <p>56: *10.5 ↗</p> <p>57: *10.2 ↖</p> <p>58: *10.4 ↗</p> <p>59: 10.0 →</p> <p>60: *10.6 ↗</p> <hr/> <p>Serie 97.0</p> <p>Total 576.0</p>		



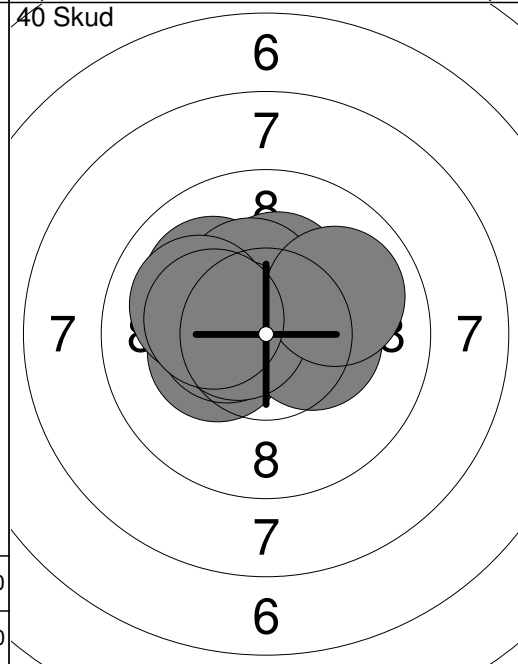
1:	6.4	←
2:	7.0	←
3:	8.7	←
4:	9.4	↗
5:	*10.9	→
6:	9.5	←
7:	*10.3	↗
8:	*10.4	←
9:	9.7	↖
10:	*10.3	↙
Serie		88.0
Total		0.0



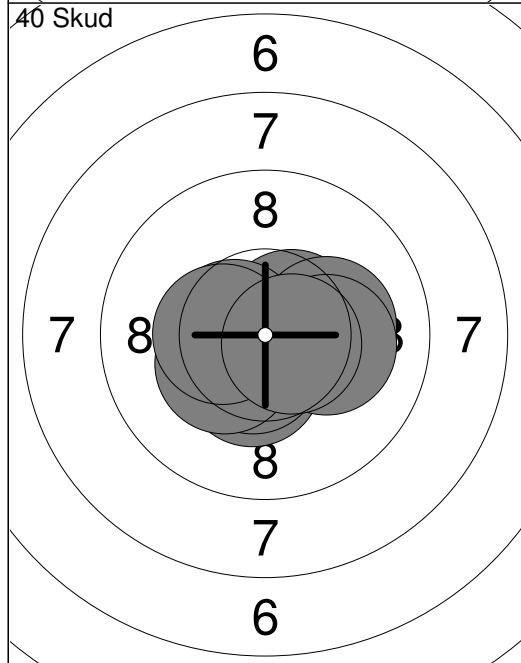
11:	*10.5	↗
12:	*10.5	↘
Serie		20.0
Total		0.0



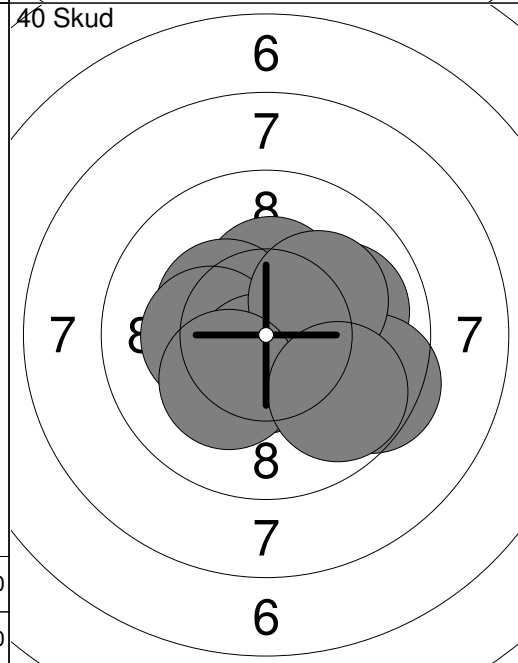
1:	*10.2	→
2:	9.6	←
3:	9.5	←
4:	9.9	→
5:	*10.2	→
6:	*10.7	→
7:	*10.5	←
8:	10.1	↖
9:	9.4	↗
10:	*10.7	↗
Serie		96.0
Total		96.0



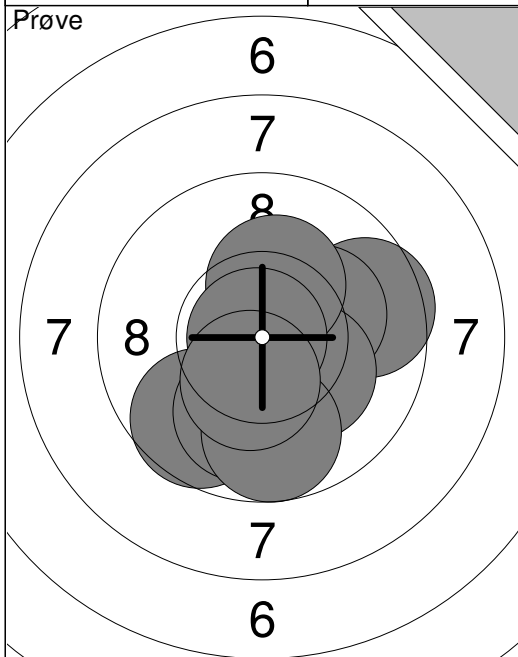
11:	*10.3	↗
12:	*10.3	←
13:	*10.4	→
14:	10.0	↖
15:	*10.5	←
16:	*10.3	↗
17:	*10.6	←
18:	10.0	↖
19:	9.9	↘
20:	*10.3	←
Serie		99.0
Total		195.0



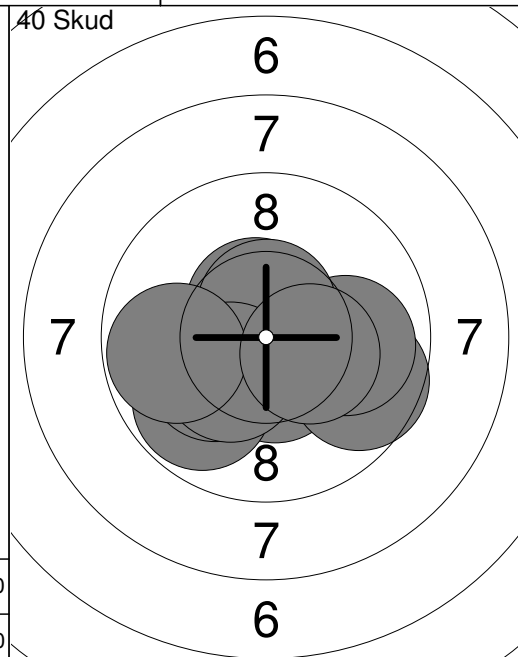
21:	*10.2	→
22:	*10.6	↘
23:	*10.5	←
24:	*10.4	↓
25:	*10.5	↓
26:	*10.3	←
27:	*10.2	→
28:	*10.2	→
29:	*10.4	←
30:	*10.6	→
Serie		100.0
Total		295.0



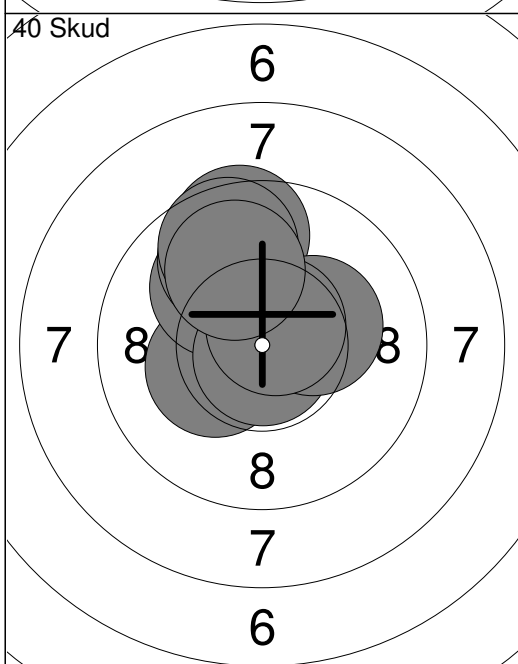
31:	*10.3	↗
32:	10.0	→
33:	*10.3	↖
34:	*10.3	→
35:	*10.2	←
36:	9.5	→
37:	*10.6	↓
38:	*10.2	↘
39:	*10.2	↙
40:	9.8	↘
Serie		98.0
Total		393.0



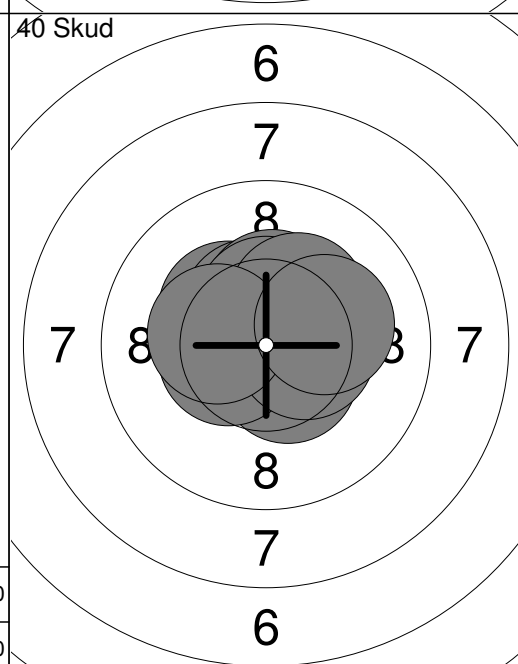
1:	10.1	↓
2:	9.7	↙
3:	10.0	↓
4:	9.6	→
5:	*10.2	→
6:	*10.2	↘
7:	*10.3	↑
8:	9.7	↓
9:	*10.9	←
10:	*10.4	↓
Serie		97.0
Total		0.0



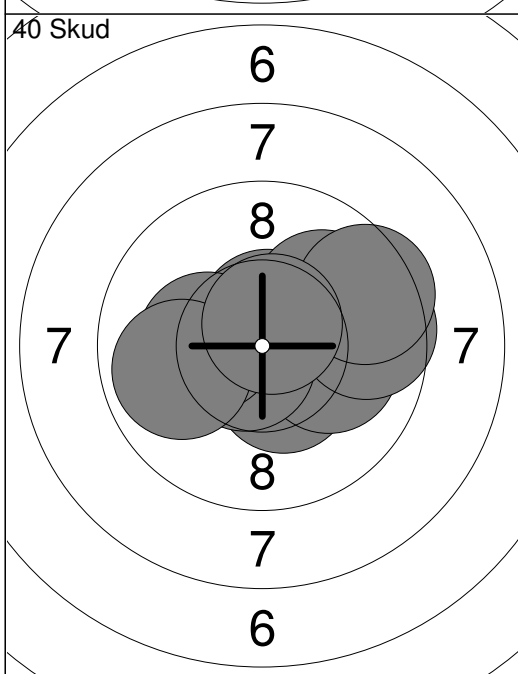
1:	*10.5	↓
2:	9.6	→
3:	9.8	↙
4:	*10.6	↑
5:	9.9	→
6:	*10.2	↘
7:	*10.6	↑
8:	*10.3	↙
9:	9.8	←
10:	*10.3	→
Serie		96.0
Total		96.0



11:	*10.3	↑
12:	*10.3	←
13:	10.0	↖
14:	*10.8	↓
15:	9.5	↑
16:	9.8	↑
17:	9.6	↑
18:	*10.3	→
19:	*10.6	↗
20:	9.9	↑
Serie		96.0
Total		192.0

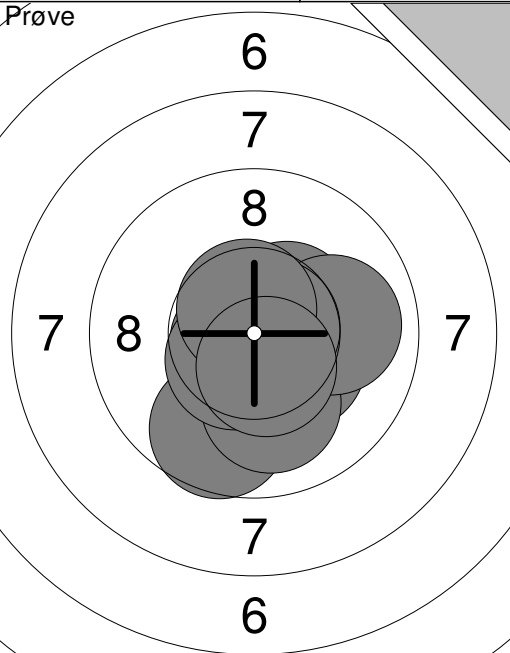
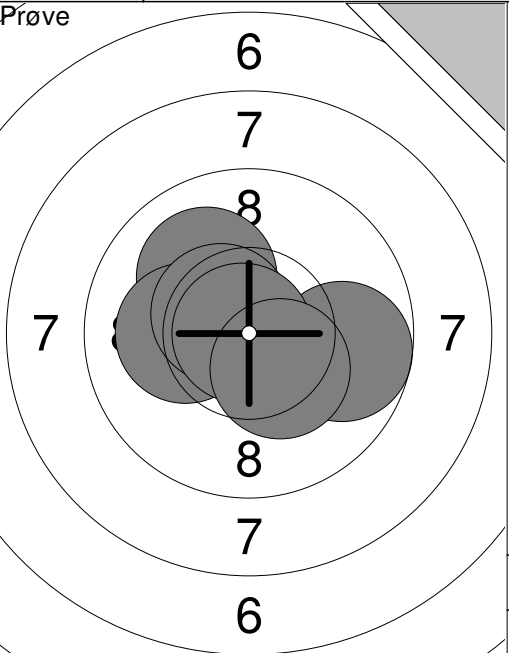
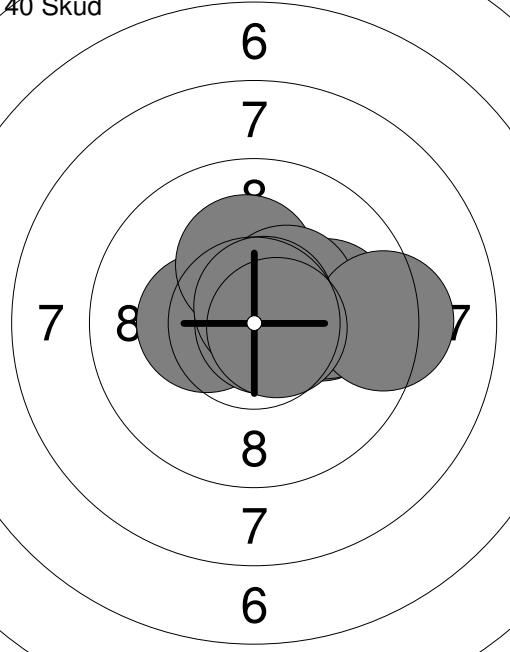
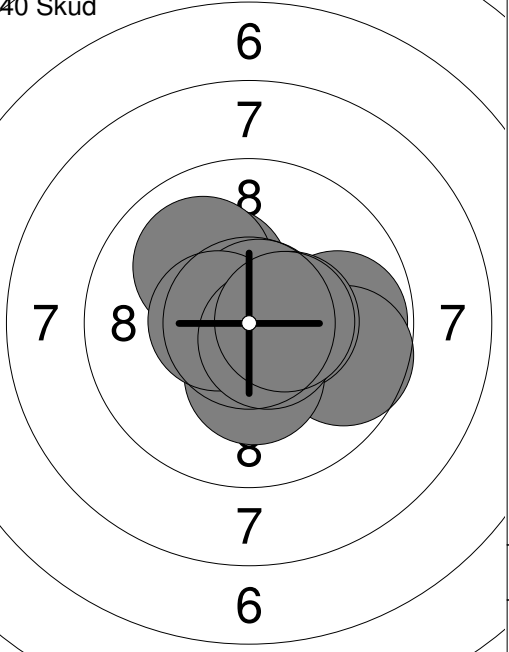
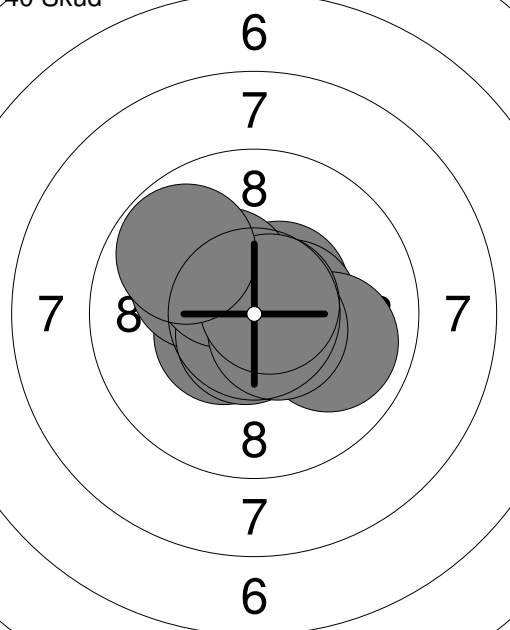
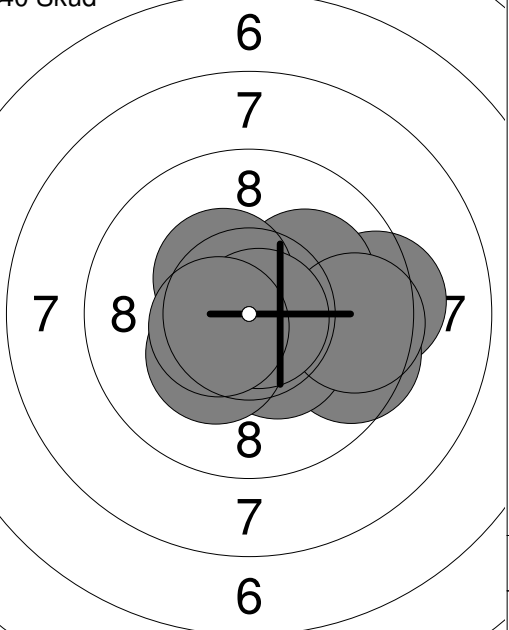


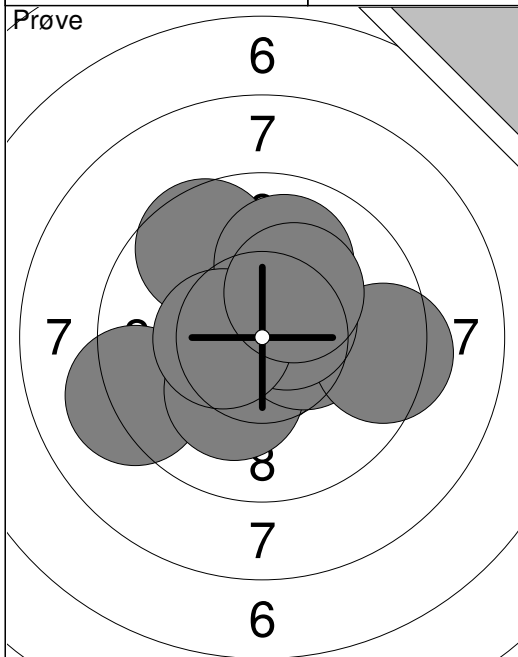
21:	*10.3	↖
22:	*10.4	↑
23:	*10.4	↑
24:	*10.5	↘
25:	*10.4	←
26:	*10.5	↑
27:	*10.3	↗
28:	*10.4	→
29:	*10.3	←
30:	*10.2	→
Serie		100.0
Total		292.0



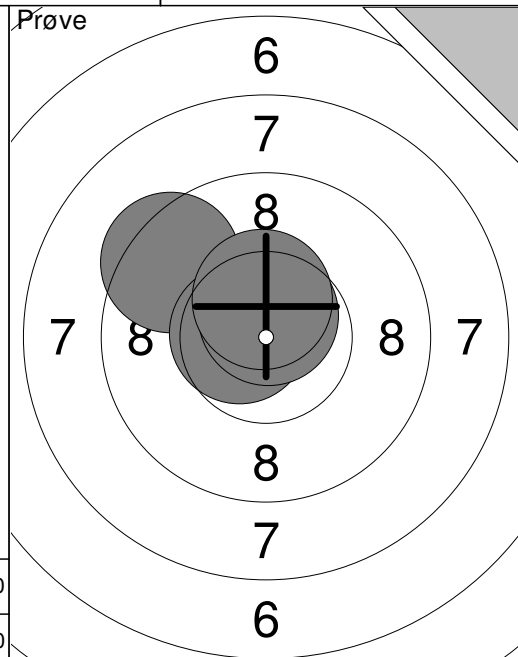
31:	*10.4	↓
32:	10.1	→
33:	*10.6	↑
34:	*10.7	↙
35:	10.0	↗
36:	9.6	→
37:	*10.2	←
38:	9.5	→
39:	9.9	←
40:	*10.6	↑
Serie		97.0
Total		389.0

<p>Prøve</p>	<table border="1" style="width:100%; border-collapse: collapse;"> <tr><td>1:</td><td>8.9</td><td>↖</td></tr> <tr><td>2:</td><td>9.2</td><td>↗</td></tr> <tr><td>3:</td><td>9.0</td><td>↗</td></tr> <tr><td>4:</td><td>9.6</td><td>↘</td></tr> <tr><td>5:</td><td>9.2</td><td>→</td></tr> <tr><td>6:</td><td>10.1</td><td>→</td></tr> <tr><td>7:</td><td>10.0</td><td>→</td></tr> <tr><td>8:</td><td>9.9</td><td>↗</td></tr> <tr><td>9:</td><td>*10.2</td><td>→</td></tr> <tr><td>10:</td><td>10.1</td><td>↖</td></tr> <tr><td colspan="2">Serie</td><td>93.0</td></tr> <tr><td colspan="2">Total</td><td>0.0</td></tr> </table>	1:	8.9	↖	2:	9.2	↗	3:	9.0	↗	4:	9.6	↘	5:	9.2	→	6:	10.1	→	7:	10.0	→	8:	9.9	↗	9:	*10.2	→	10:	10.1	↖	Serie		93.0	Total		0.0	<p>Prøve</p>	<table border="1" style="width:100%; border-collapse: collapse;"> <tr><td>11:</td><td>10.0</td><td>↖</td></tr> <tr><td>12:</td><td>9.5</td><td>↖</td></tr> <tr><td>13:</td><td>10.1</td><td>↖</td></tr> <tr><td>14:</td><td>9.6</td><td>→</td></tr> <tr><td>15:</td><td>*10.6</td><td>↘</td></tr> <tr><td>16:</td><td>*10.6</td><td>↓</td></tr> <tr><td colspan="2">Serie</td><td>58.0</td></tr> <tr><td colspan="2">Total</td><td>0.0</td></tr> </table>	11:	10.0	↖	12:	9.5	↖	13:	10.1	↖	14:	9.6	→	15:	*10.6	↘	16:	*10.6	↓	Serie		58.0	Total		0.0												
1:	8.9	↖																																																																									
2:	9.2	↗																																																																									
3:	9.0	↗																																																																									
4:	9.6	↘																																																																									
5:	9.2	→																																																																									
6:	10.1	→																																																																									
7:	10.0	→																																																																									
8:	9.9	↗																																																																									
9:	*10.2	→																																																																									
10:	10.1	↖																																																																									
Serie		93.0																																																																									
Total		0.0																																																																									
11:	10.0	↖																																																																									
12:	9.5	↖																																																																									
13:	10.1	↖																																																																									
14:	9.6	→																																																																									
15:	*10.6	↘																																																																									
16:	*10.6	↓																																																																									
Serie		58.0																																																																									
Total		0.0																																																																									
<p>60 Skud</p>	<table border="1" style="width:100%; border-collapse: collapse;"> <tr><td>1:</td><td>9.0</td><td>←</td></tr> <tr><td>2:</td><td>9.2</td><td>→</td></tr> <tr><td>3:</td><td>9.2</td><td>→</td></tr> <tr><td>4:</td><td>*10.7</td><td>↓</td></tr> <tr><td>5:</td><td>9.9</td><td>↗</td></tr> <tr><td>6:</td><td>*10.4</td><td>←</td></tr> <tr><td>7:</td><td>9.9</td><td>↗</td></tr> <tr><td>8:</td><td>*10.5</td><td>↗</td></tr> <tr><td>9:</td><td>9.5</td><td>↘</td></tr> <tr><td>10:</td><td>9.2</td><td>↘</td></tr> <tr><td colspan="2">Serie</td><td>93.0</td></tr> <tr><td colspan="2">Total</td><td>93.0</td></tr> </table>	1:	9.0	←	2:	9.2	→	3:	9.2	→	4:	*10.7	↓	5:	9.9	↗	6:	*10.4	←	7:	9.9	↗	8:	*10.5	↗	9:	9.5	↘	10:	9.2	↘	Serie		93.0	Total		93.0	<p>60 Skud</p>	<table border="1" style="width:100%; border-collapse: collapse;"> <tr><td>11:</td><td>9.9</td><td>↘</td></tr> <tr><td>12:</td><td>9.9</td><td>←</td></tr> <tr><td>13:</td><td>*10.8</td><td>↓</td></tr> <tr><td>14:</td><td>*10.3</td><td>↘</td></tr> <tr><td>15:</td><td>9.5</td><td>→</td></tr> <tr><td>16:</td><td>*10.5</td><td>←</td></tr> <tr><td>17:</td><td>10.0</td><td>→</td></tr> <tr><td>18:</td><td>9.6</td><td>↗</td></tr> <tr><td>19:</td><td>9.2</td><td>→</td></tr> <tr><td>20:</td><td>*10.3</td><td>↓</td></tr> <tr><td colspan="2">Serie</td><td>95.0</td></tr> <tr><td colspan="2">Total</td><td>188.0</td></tr> </table>	11:	9.9	↘	12:	9.9	←	13:	*10.8	↓	14:	*10.3	↘	15:	9.5	→	16:	*10.5	←	17:	10.0	→	18:	9.6	↗	19:	9.2	→	20:	*10.3	↓	Serie		95.0	Total		188.0
1:	9.0	←																																																																									
2:	9.2	→																																																																									
3:	9.2	→																																																																									
4:	*10.7	↓																																																																									
5:	9.9	↗																																																																									
6:	*10.4	←																																																																									
7:	9.9	↗																																																																									
8:	*10.5	↗																																																																									
9:	9.5	↘																																																																									
10:	9.2	↘																																																																									
Serie		93.0																																																																									
Total		93.0																																																																									
11:	9.9	↘																																																																									
12:	9.9	←																																																																									
13:	*10.8	↓																																																																									
14:	*10.3	↘																																																																									
15:	9.5	→																																																																									
16:	*10.5	←																																																																									
17:	10.0	→																																																																									
18:	9.6	↗																																																																									
19:	9.2	→																																																																									
20:	*10.3	↓																																																																									
Serie		95.0																																																																									
Total		188.0																																																																									
<p>60 Skud</p>	<table border="1" style="width:100%; border-collapse: collapse;"> <tr><td>21:</td><td>9.6</td><td>←</td></tr> <tr><td>22:</td><td>*10.6</td><td>↓</td></tr> <tr><td>23:</td><td>9.7</td><td>↖</td></tr> <tr><td>24:</td><td>9.4</td><td>→</td></tr> <tr><td>25:</td><td>9.6</td><td>↓</td></tr> <tr><td>26:</td><td>*10.3</td><td>←</td></tr> <tr><td>27:</td><td>*10.3</td><td>→</td></tr> <tr><td>28:</td><td>*10.8</td><td>↘</td></tr> <tr><td>29:</td><td>*10.2</td><td>↗</td></tr> <tr><td>30:</td><td>9.3</td><td>↘</td></tr> <tr><td colspan="2">Serie</td><td>95.0</td></tr> <tr><td colspan="2">Total</td><td>283.0</td></tr> </table>	21:	9.6	←	22:	*10.6	↓	23:	9.7	↖	24:	9.4	→	25:	9.6	↓	26:	*10.3	←	27:	*10.3	→	28:	*10.8	↘	29:	*10.2	↗	30:	9.3	↘	Serie		95.0	Total		283.0	<p>60 Skud</p>	<table border="1" style="width:100%; border-collapse: collapse;"> <tr><td>31:</td><td>10.1</td><td>←</td></tr> <tr><td>32:</td><td>*10.4</td><td>↗</td></tr> <tr><td>33:</td><td>9.5</td><td>→</td></tr> <tr><td>34:</td><td>9.9</td><td>↓</td></tr> <tr><td>35:</td><td>9.6</td><td>↘</td></tr> <tr><td>36:</td><td>9.7</td><td>←</td></tr> <tr><td>37:</td><td>*10.4</td><td>↗</td></tr> <tr><td>38:</td><td>10.0</td><td>↗</td></tr> <tr><td>39:</td><td>9.6</td><td>↘</td></tr> <tr><td>40:</td><td>9.8</td><td>↑</td></tr> <tr><td colspan="2">Serie</td><td>94.0</td></tr> <tr><td colspan="2">Total</td><td>377.0</td></tr> </table>	31:	10.1	←	32:	*10.4	↗	33:	9.5	→	34:	9.9	↓	35:	9.6	↘	36:	9.7	←	37:	*10.4	↗	38:	10.0	↗	39:	9.6	↘	40:	9.8	↑	Serie		94.0	Total		377.0
21:	9.6	←																																																																									
22:	*10.6	↓																																																																									
23:	9.7	↖																																																																									
24:	9.4	→																																																																									
25:	9.6	↓																																																																									
26:	*10.3	←																																																																									
27:	*10.3	→																																																																									
28:	*10.8	↘																																																																									
29:	*10.2	↗																																																																									
30:	9.3	↘																																																																									
Serie		95.0																																																																									
Total		283.0																																																																									
31:	10.1	←																																																																									
32:	*10.4	↗																																																																									
33:	9.5	→																																																																									
34:	9.9	↓																																																																									
35:	9.6	↘																																																																									
36:	9.7	←																																																																									
37:	*10.4	↗																																																																									
38:	10.0	↗																																																																									
39:	9.6	↘																																																																									
40:	9.8	↑																																																																									
Serie		94.0																																																																									
Total		377.0																																																																									
<p>60 Skud</p>	<table border="1" style="width:100%; border-collapse: collapse;"> <tr><td>41:</td><td>9.0</td><td>←</td></tr> <tr><td>42:</td><td>9.8</td><td>→</td></tr> <tr><td>43:</td><td>*10.2</td><td>↘</td></tr> <tr><td>44:</td><td>9.7</td><td>→</td></tr> <tr><td>45:</td><td>9.2</td><td>↘</td></tr> <tr><td>46:</td><td>*10.5</td><td>↗</td></tr> <tr><td>47:</td><td>*10.3</td><td>↘</td></tr> <tr><td>48:</td><td>10.1</td><td>←</td></tr> <tr><td>49:</td><td>9.9</td><td>↓</td></tr> <tr><td>50:</td><td>9.6</td><td>↘</td></tr> <tr><td colspan="2">Serie</td><td>94.0</td></tr> <tr><td colspan="2">Total</td><td>471.0</td></tr> </table>	41:	9.0	←	42:	9.8	→	43:	*10.2	↘	44:	9.7	→	45:	9.2	↘	46:	*10.5	↗	47:	*10.3	↘	48:	10.1	←	49:	9.9	↓	50:	9.6	↘	Serie		94.0	Total		471.0	<p>60 Skud</p>	<table border="1" style="width:100%; border-collapse: collapse;"> <tr><td>51:</td><td>*10.2</td><td>↘</td></tr> <tr><td>52:</td><td>*10.6</td><td>↓</td></tr> <tr><td>53:</td><td>*10.4</td><td>↓</td></tr> <tr><td>54:</td><td>9.6</td><td>↘</td></tr> <tr><td>55:</td><td>*10.8</td><td>→</td></tr> <tr><td>56:</td><td>9.5</td><td>→</td></tr> <tr><td>57:</td><td>*10.2</td><td>→</td></tr> <tr><td>58:</td><td>*10.3</td><td>↗</td></tr> <tr><td>59:</td><td>*10.5</td><td>↗</td></tr> <tr><td>60:</td><td>9.3</td><td>←</td></tr> <tr><td colspan="2">Serie</td><td>97.0</td></tr> <tr><td colspan="2">Total</td><td>568.0</td></tr> </table>	51:	*10.2	↘	52:	*10.6	↓	53:	*10.4	↓	54:	9.6	↘	55:	*10.8	→	56:	9.5	→	57:	*10.2	→	58:	*10.3	↗	59:	*10.5	↗	60:	9.3	←	Serie		97.0	Total		568.0
41:	9.0	←																																																																									
42:	9.8	→																																																																									
43:	*10.2	↘																																																																									
44:	9.7	→																																																																									
45:	9.2	↘																																																																									
46:	*10.5	↗																																																																									
47:	*10.3	↘																																																																									
48:	10.1	←																																																																									
49:	9.9	↓																																																																									
50:	9.6	↘																																																																									
Serie		94.0																																																																									
Total		471.0																																																																									
51:	*10.2	↘																																																																									
52:	*10.6	↓																																																																									
53:	*10.4	↓																																																																									
54:	9.6	↘																																																																									
55:	*10.8	→																																																																									
56:	9.5	→																																																																									
57:	*10.2	→																																																																									
58:	*10.3	↗																																																																									
59:	*10.5	↗																																																																									
60:	9.3	←																																																																									
Serie		97.0																																																																									
Total		568.0																																																																									

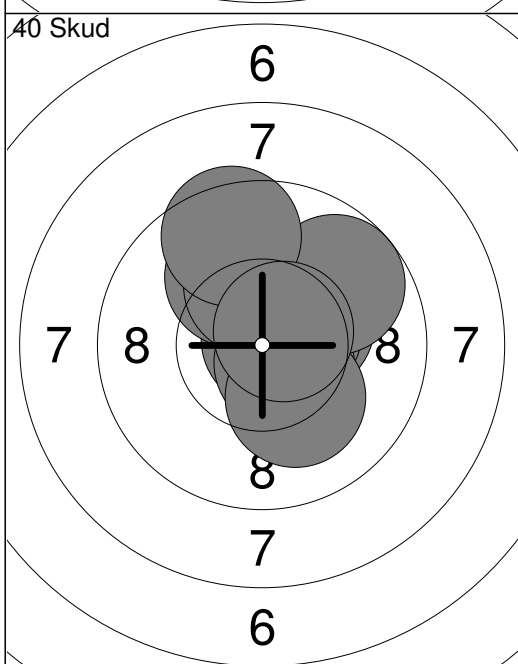
<p>Prøve</p>  <p style="text-align: center;">6 7 8 7 7 6</p>	<p>1: *10.3 → 2: 9.7 ↓ 3: *10.7 ↙ 4: 10.0 ↓ 5: *10.5 ↙ 6: *10.5 ↗ 7: 10.0 → 8: *10.7 → 9: *10.6 ↑ 10: *10.5 ↓</p> <table border="1" style="width:100%; border-collapse: collapse;"> <tr><td>Serie</td><td style="text-align: right;">99.0</td></tr> <tr><td>Total</td><td style="text-align: right;">0.0</td></tr> </table>	Serie	99.0	Total	0.0	<p>Prøve</p>  <p style="text-align: center;">6 7 8 7 7 6</p> <p>11: 9.7 → 12: 10.1 ↗ 13: 10.1 ← 14: *10.5 ↗ 15: *10.9 ← 16: *10.3 ↓</p> <table border="1" style="width:100%; border-collapse: collapse;"> <tr><td>Serie</td><td style="text-align: right;">59.0</td></tr> <tr><td>Total</td><td style="text-align: right;">0.0</td></tr> </table>	Serie	59.0	Total	0.0
Serie	99.0									
Total	0.0									
Serie	59.0									
Total	0.0									
<p>40 Skud</p>  <p style="text-align: center;">6 7 8 7 8 7 6</p>	<p>1: *10.3 ← 2: *10.8 → 3: 10.1 → 4: *10.7 ↗ 5: *10.2 ↑ 6: 10.0 → 7: *10.4 ↗ 8: 9.3 → 9: *10.7 ↗ 10: *10.7 →</p> <table border="1" style="width:100%; border-collapse: collapse;"> <tr><td>Serie</td><td style="text-align: right;">99.0</td></tr> <tr><td>Total</td><td style="text-align: right;">99.0</td></tr> </table>	Serie	99.0	Total	99.0	<p>40 Skud</p>  <p style="text-align: center;">6 7 8 7 8 7 6</p> <p>11: *10.2 ↗ 12: 10.0 ↗ 13: *10.7 ↗ 14: 9.8 → 15: 9.7 → 16: *10.4 → 17: *10.3 ↓ 18: *10.6 ← 19: *10.6 ↓ 20: *10.5 →</p> <table border="1" style="width:100%; border-collapse: collapse;"> <tr><td>Serie</td><td style="text-align: right;">98.0</td></tr> <tr><td>Total</td><td style="text-align: right;">197.0</td></tr> </table>	Serie	98.0	Total	197.0
Serie	99.0									
Total	99.0									
Serie	98.0									
Total	197.0									
<p>40 Skud</p>  <p style="text-align: center;">6 7 8 7 8 7 6</p>	<p>21: *10.5 ↗ 22: *10.5 → 23: *10.5 ↙ 24: 10.1 ↗ 25: *10.7 ↓ 26: 9.9 → 27: *10.3 ↗ 28: *10.6 ↓ 29: *10.7 ↗ 30: 9.8 ↙</p> <table border="1" style="width:100%; border-collapse: collapse;"> <tr><td>Serie</td><td style="text-align: right;">98.0</td></tr> <tr><td>Total</td><td style="text-align: right;">295.0</td></tr> </table>	Serie	98.0	Total	295.0	<p>40 Skud</p>  <p style="text-align: center;">6 7 8 7 8 7 6</p> <p>31: 9.3 → 32: 10.1 ↗ 33: 9.6 → 34: *10.7 ↗ 35: *10.4 ↓ 36: *10.3 ↙ 37: 9.6 → 38: *10.4 ↗ 39: *10.8 ↓ 40: *10.5 ←</p> <table border="1" style="width:100%; border-collapse: collapse;"> <tr><td>Serie</td><td style="text-align: right;">97.0</td></tr> <tr><td>Total</td><td style="text-align: right;">392.0</td></tr> </table>	Serie	97.0	Total	392.0
Serie	98.0									
Total	295.0									
Serie	97.0									
Total	392.0									



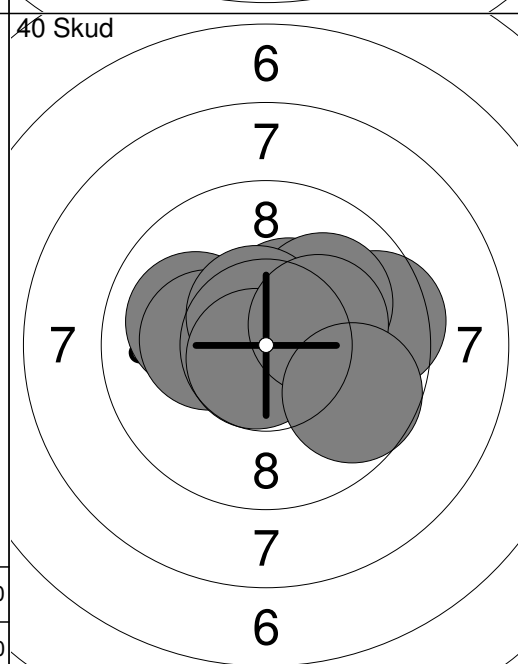
1:	*10.7	↓
2:	9.2	←
3:	*10.2	↓
4:	*10.4	→
5:	9.4	→
6:	9.6	↗
7:	*10.6	↗
8:	10.0	↑
9:	*10.5	←
10:	*10.3	↗
Serie		97.0
Total		0.0



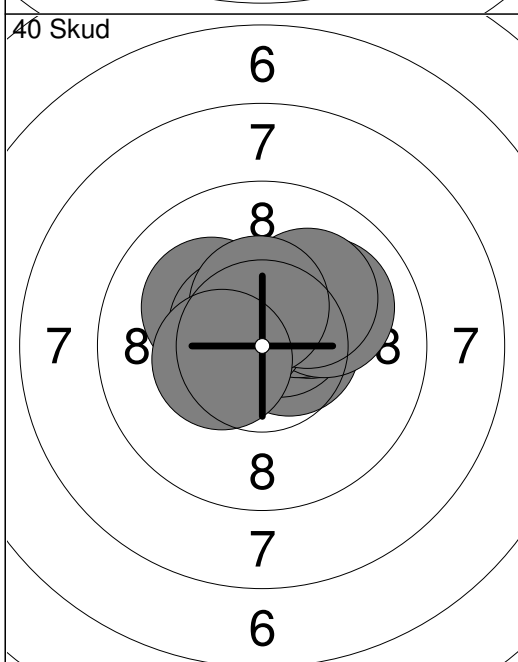
11:	9.4	↖
12:	*10.6	←
13:	*10.7	↑
14:	*10.5	↑
Serie		39.0
Total		0.0



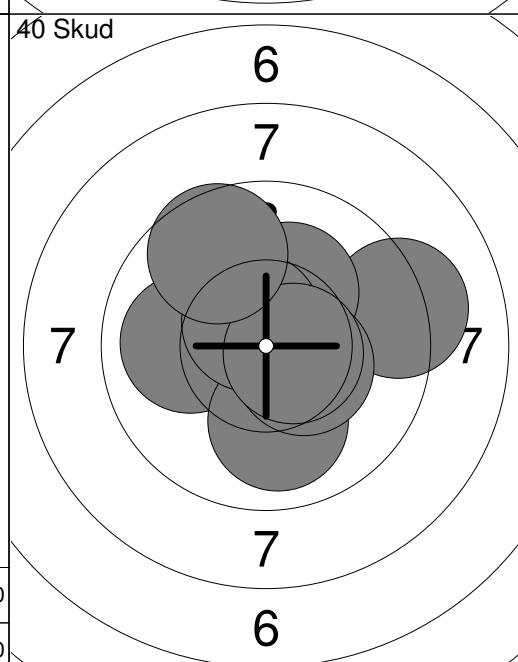
1:	*10.8	↗
2:	10.0	↑
3:	*10.3	↗
4:	*10.5	↗
5:	*10.2	↑
6:	*10.6	↘
7:	9.7	↗
8:	9.5	↑
9:	*10.2	↓
10:	*10.6	↗
Serie		98.0
Total		98.0



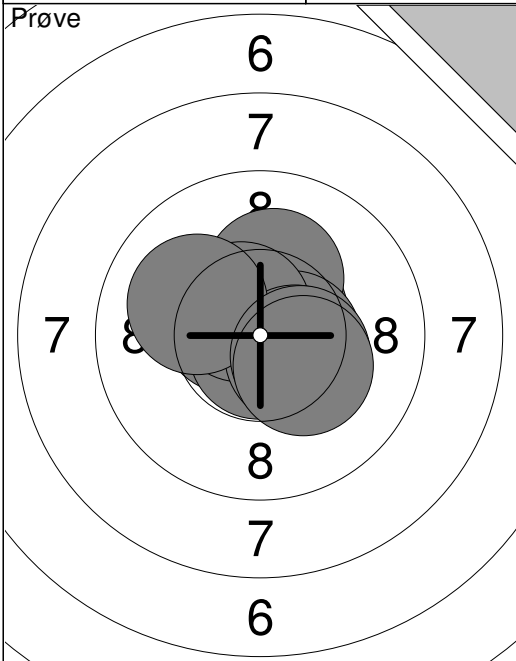
11:	10.0	←
12:	*10.4	↗
13:	9.5	→
14:	*10.6	↗
15:	10.0	↗
16:	*10.2	←
17:	*10.6	↑
18:	*10.7	↘
19:	*10.2	→
20:	9.7	↘
Serie		98.0
Total		196.0



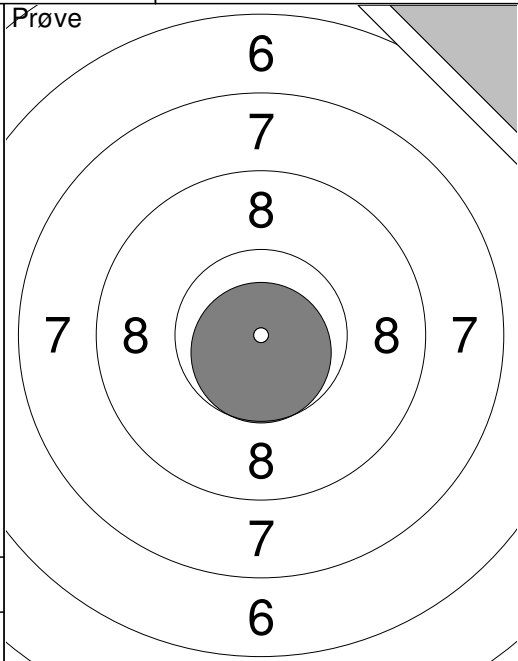
21:	*10.6	→
22:	*10.6	↗
23:	*10.2	↗
24:	*10.3	↗
25:	10.0	↗
26:	10.1	↖
27:	*10.6	↖
28:	10.1	↗
29:	*10.4	↑
30:	*10.4	←
Serie		100.0
Total		296.0



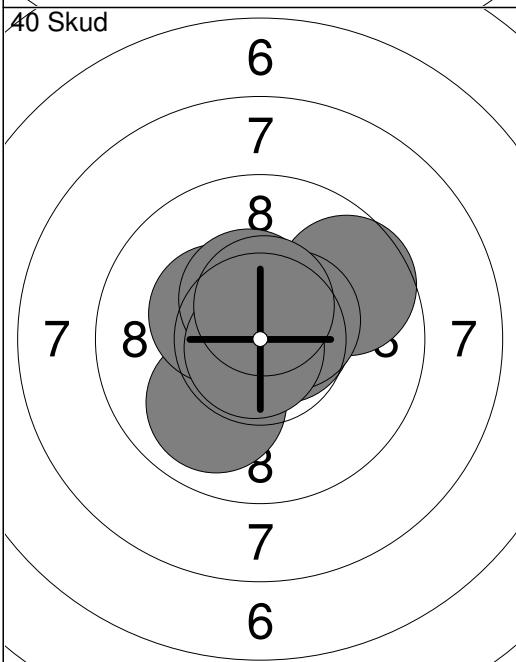
31:	9.2	→
32:	*10.6	↓
33:	*10.4	↑
34:	10.0	←
35:	*10.2	↑
36:	10.0	↓
37:	*10.6	↗
38:	*10.4	↘
39:	*10.6	↘
40:	9.6	↗
Serie		98.0
Total		394.0



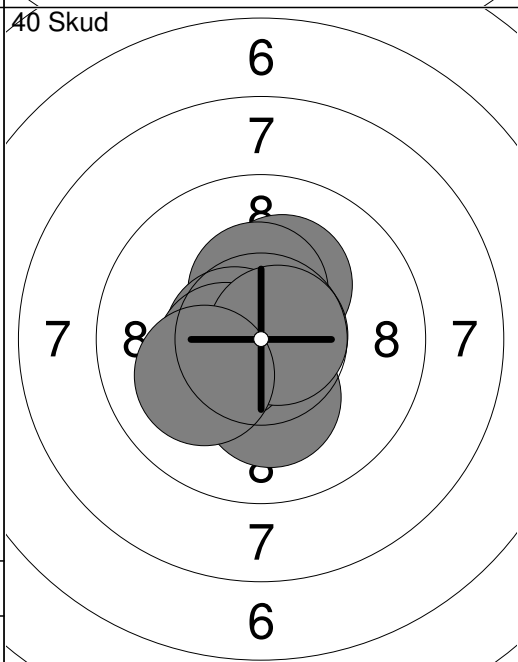
1:	*10.6	↗
2:	*10.5	↖
3:	*10.2	↑
4:	*10.5	→
5:	*10.8	↓
6:	*10.6	↗
7:	*10.4	↘
8:	10.1	↗
9:	*10.4	↘
10:	*10.3	↘
Serie		100.0
Total		0.0



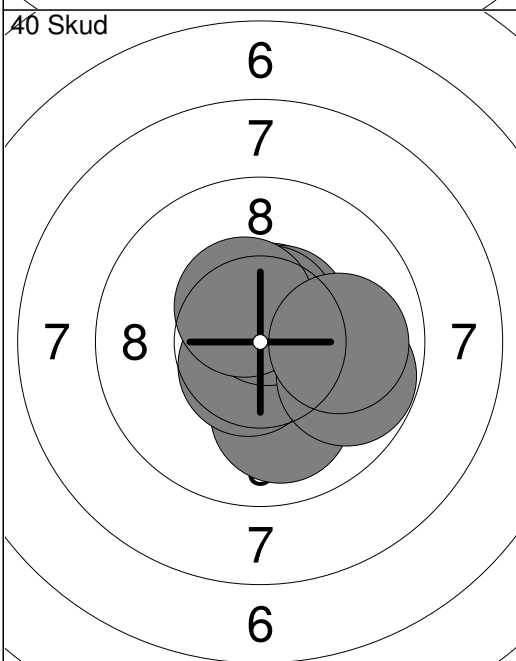
11:	*10.7	↓
Serie		10.0
Total		0.0



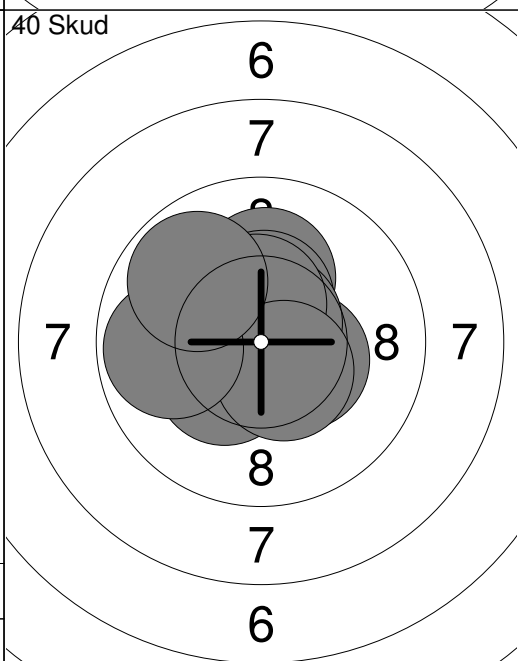
1:	*10.8	↑
2:	10.0	↘
3:	*10.7	→
4:	*10.9	↖
5:	*10.3	↖
6:	9.7	↗
7:	*10.5	↗
8:	*10.4	↑
9:	*10.8	↘
10:	*10.5	↑
Serie		99.0
Total		99.0



11:	*10.4	↖
12:	*10.2	↑
13:	*10.3	↑
14:	*10.8	→
15:	*10.6	↖
16:	*10.5	↖
17:	*10.2	↓
18:	*10.5	↖
19:	*10.7	→
20:	10.1	↖
Serie		100.0
Total		199.0



21:	*10.5	↘
22:	*10.6	↑
23:	*10.6	↓
24:	10.0	↓
25:	*10.5	↗
26:	*10.6	↘
27:	*10.6	↑
28:	*10.5	↗
29:	9.8	→
30:	9.9	→
Serie		98.0
Total		297.0

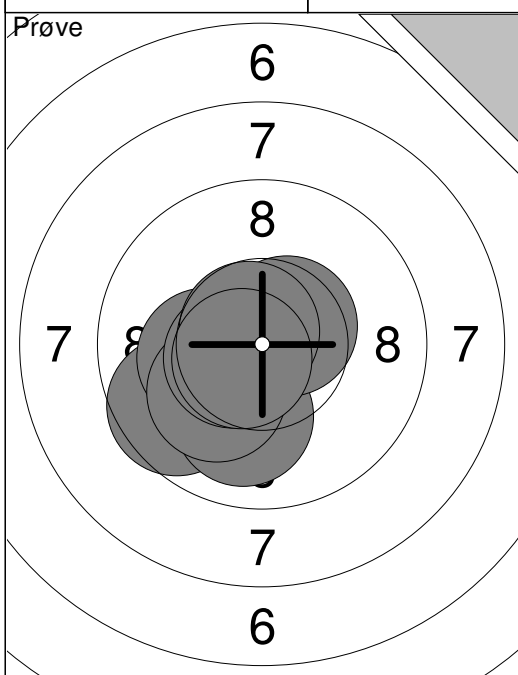


31:	10.1	↑
32:	*10.4	→
33:	*10.4	↑
34:	*10.7	↗
35:	*10.6	↖
36:	*10.5	↑
37:	*10.3	↖
38:	*10.5	↓
39:	9.8	↖
40:	9.8	↖
Serie		98.0
Total		395.0

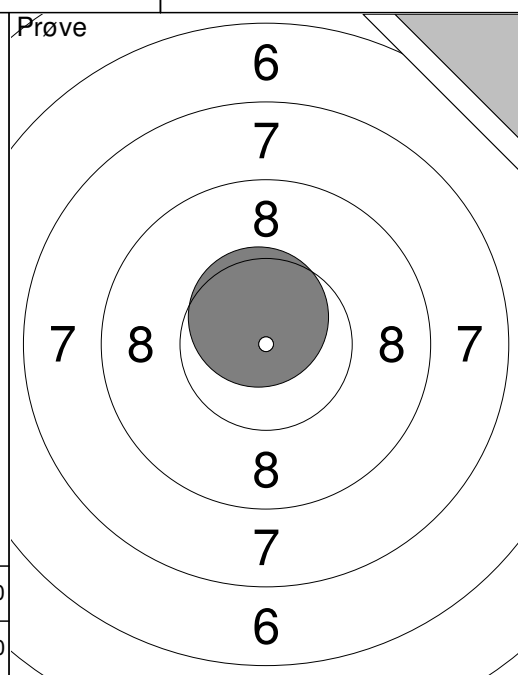
<p>Prøve</p>	<p>1: 10.1 →</p> <p>2: *10.6 ↖</p> <p>3: 10.1 →</p> <p>4: 9.9 →</p> <p>5: 9.7 ↗</p> <p>6: 9.8 →</p> <p>7: 9.8 ↗</p> <p>8: *10.7 ←</p> <p>9: 10.1 ←</p> <p>10: *10.5 ↑</p>	<p>Prøve</p>	<p>11: *10.4 ←</p> <p>12: *10.8 ↓</p> <p>13: *10.7 ↗</p>
Serie 96.0	Total 0.0	Serie 30.0	Total 0.0

<p>40 Skud</p>	<p>1: *10.5 ↗</p> <p>2: 10.0 →</p> <p>3: *10.2 →</p> <p>4: *10.4 ↘</p> <p>5: 9.5 ↑</p> <p>6: *10.4 ↘</p> <p>7: *10.5 →</p> <p>8: *10.3 ↑</p> <p>9: *10.5 ↖</p> <p>10: *10.5 ↘</p>	<p>40 Skud</p>	<p>11: *10.4 ↖</p> <p>12: *10.6 ↖</p> <p>13: *10.3 ↘</p> <p>14: *10.7 ↗</p> <p>15: *10.3 ↗</p> <p>16: *10.8 ↗</p> <p>17: *10.7 ↑</p> <p>18: *10.8 ↑</p> <p>19: 10.0 →</p> <p>20: *10.6 ↖</p>
Serie 99.0	Total 99.0	Serie 100.0	Total 199.0

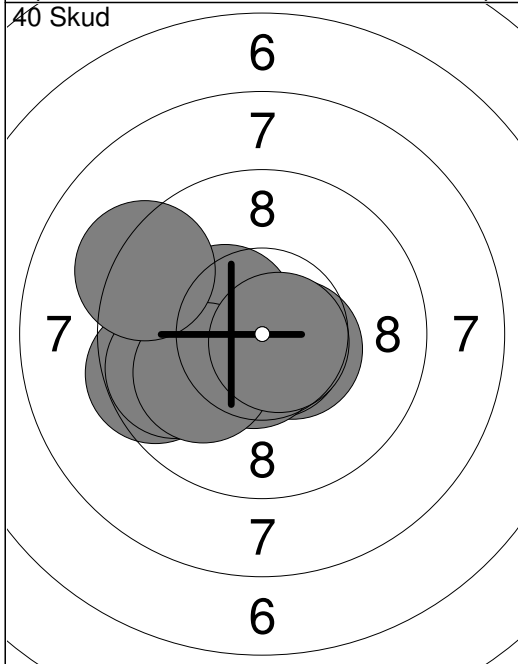
<p>40 Skud</p>	<p>21: 9.9 ↘</p> <p>22: *10.7 ↘</p> <p>23: *10.5 ↘</p> <p>24: 9.9 ↗</p> <p>25: 10.1 ↗</p> <p>26: 10.1 ←</p> <p>27: *10.4 ↘</p> <p>28: 10.0 ←</p> <p>29: *10.4 ↑</p> <p>30: *10.4 ↘</p>	<p>40 Skud</p>	<p>31: *10.5 ↗</p> <p>32: *10.5 ↓</p> <p>33: *10.3 ↑</p> <p>34: *10.5 ↗</p> <p>35: *10.7 →</p> <p>36: *10.5 ↘</p> <p>37: *10.9 →</p> <p>38: *10.7 ↘</p> <p>39: *10.8 ↑</p> <p>40: *10.4 →</p>
Serie 98.0	Total 297.0	Serie 100.0	Total 397.0



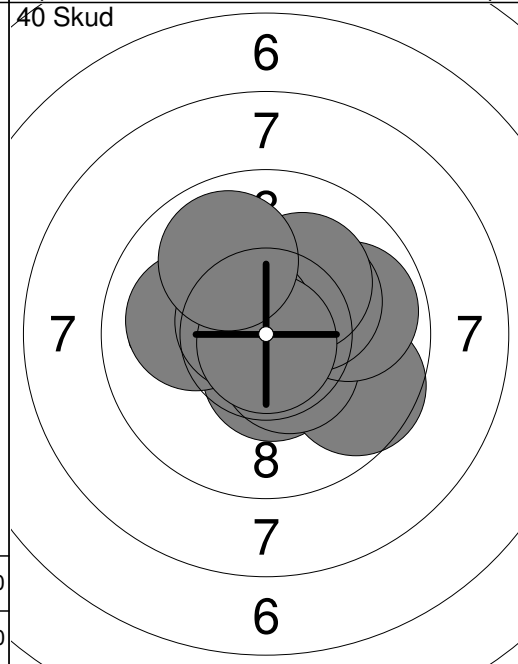
1:	9.6	↙
2:	*10.6	↙
3:	10.0	↓
4:	*10.2	↙
5:	*10.7	↙
6:	*10.6	↗
7:	10.1	↘
8:	*10.5	↙
9:	*10.7	↖
10:	*10.6	↙
Serie		99.0
Total		0.0



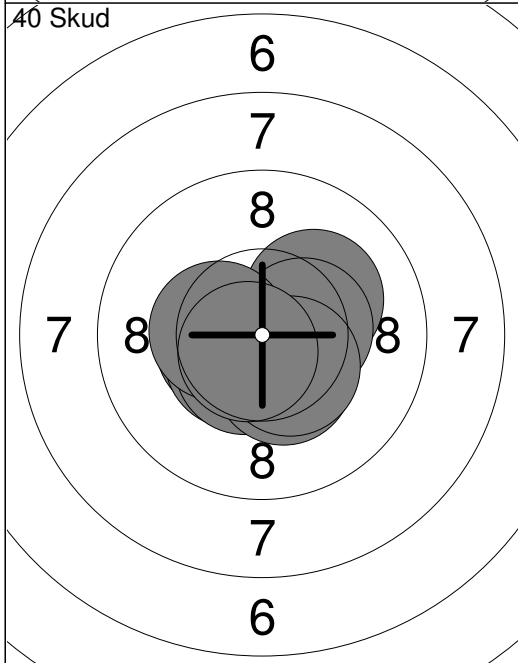
11:	*10.6	↗
Serie		10.0
Total		0.0



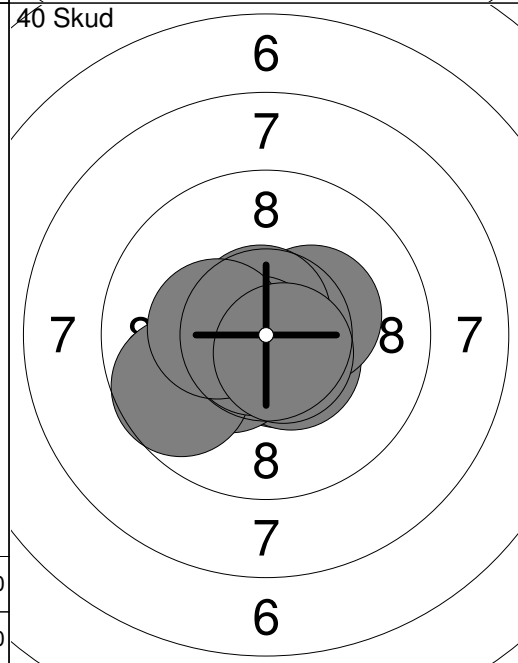
1:	9.5	↙
2:	9.8	↙
3:	*10.5	↘
4:	*10.4	↙
5:	*10.7	↘
6:	*10.6	↘
7:	*10.4	↙
8:	10.1	↙
9:	9.3	↙
10:	*10.7	↘
Serie		97.0
Total		97.0



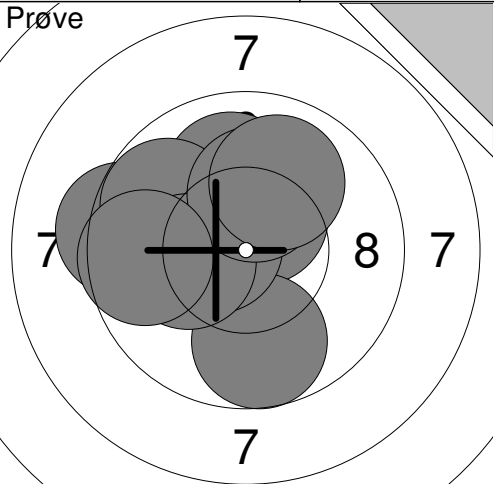
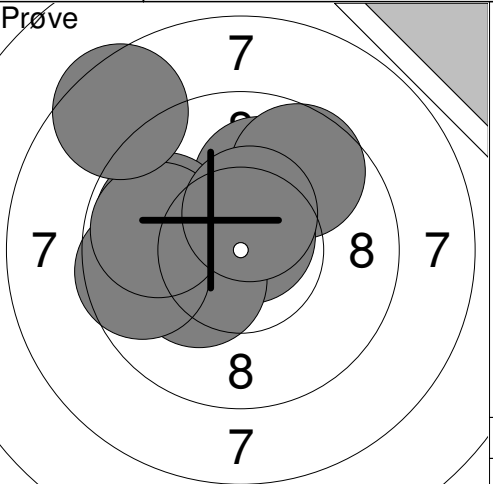
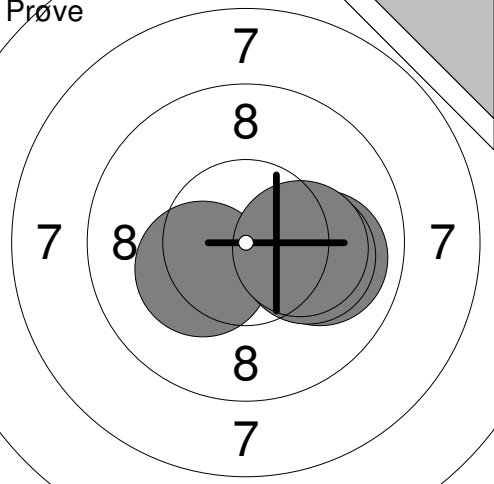
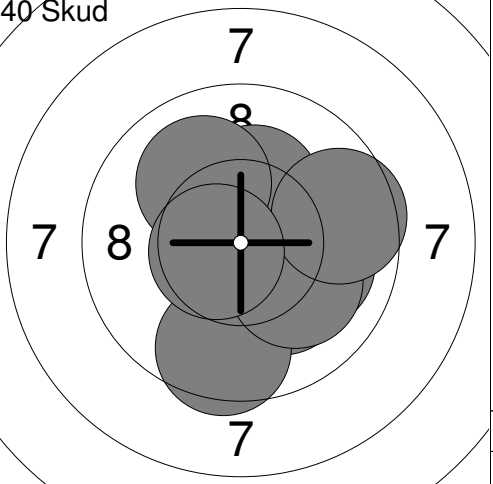
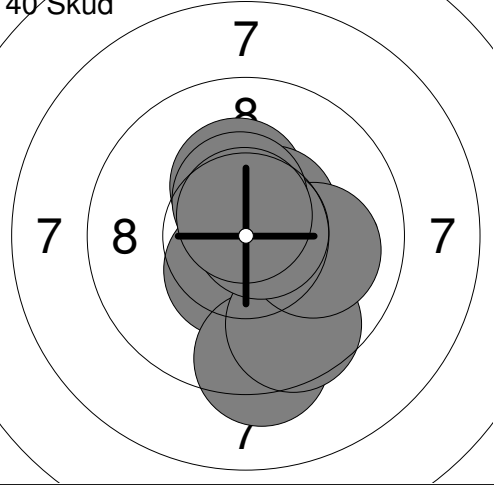
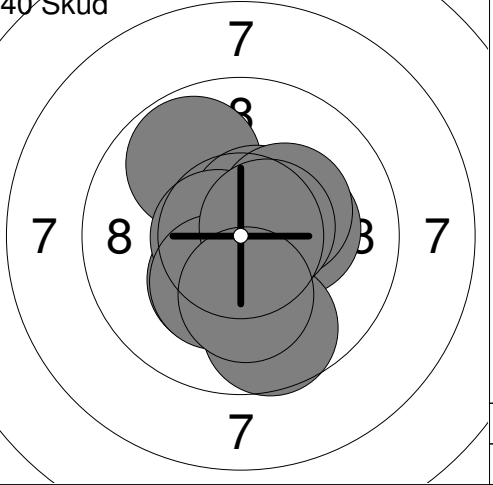
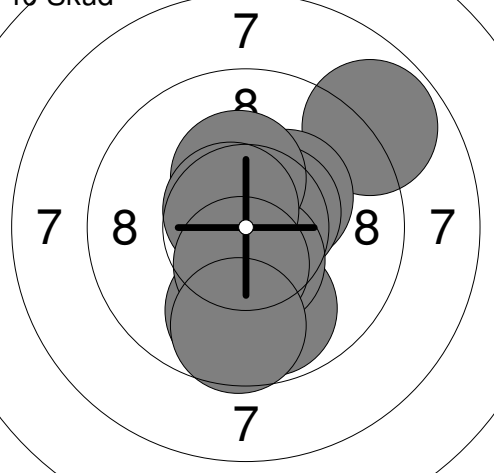
11:	*10.5	↘
12:	9.6	↘
13:	*10.5	↘
14:	10.0	↙
15:	9.9	↗
16:	*10.2	↗
17:	10.1	↗
18:	*10.6	↙
19:	*10.8	↓
20:	9.9	↖
Serie		97.0
Total		194.0

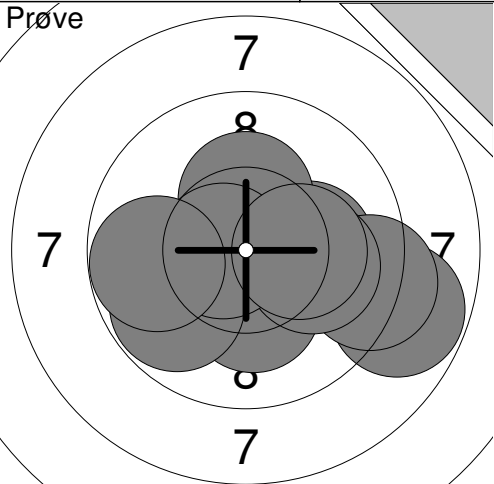
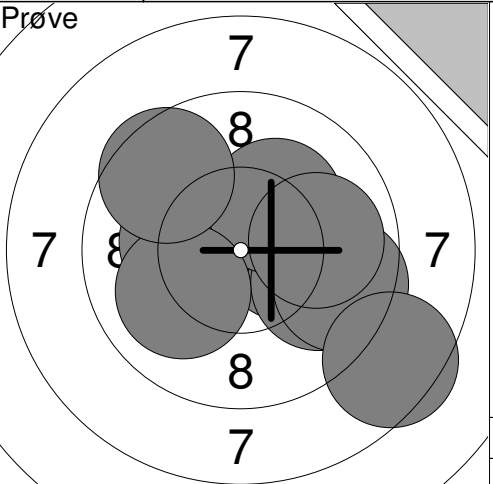


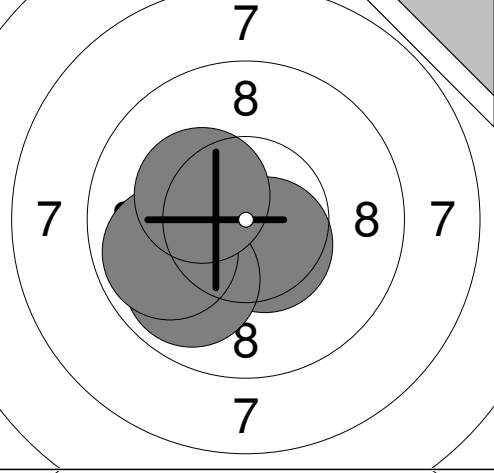
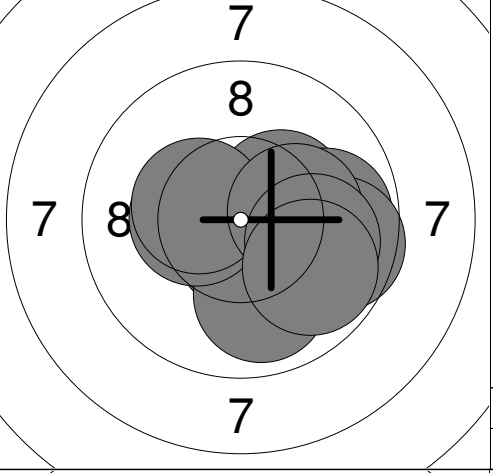
21:	*10.5	↙
22:	*10.6	↙
23:	*10.2	↗
24:	*10.5	↙
25:	*10.5	↘
26:	*10.4	↗
27:	*10.4	↘
28:	*10.4	↙
29:	*10.4	↘
30:	*10.7	↘
Serie		100.0
Total		294.0

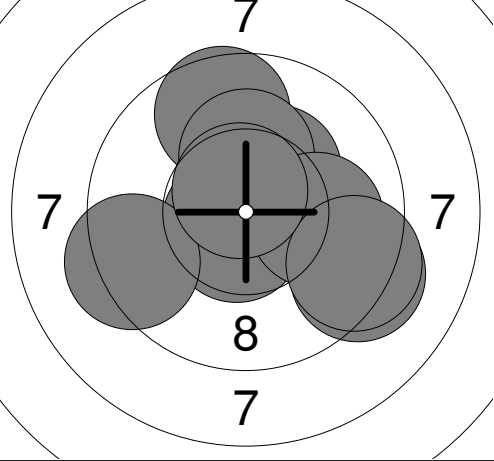
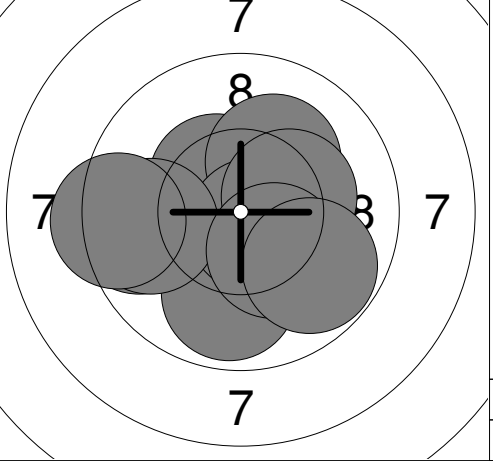


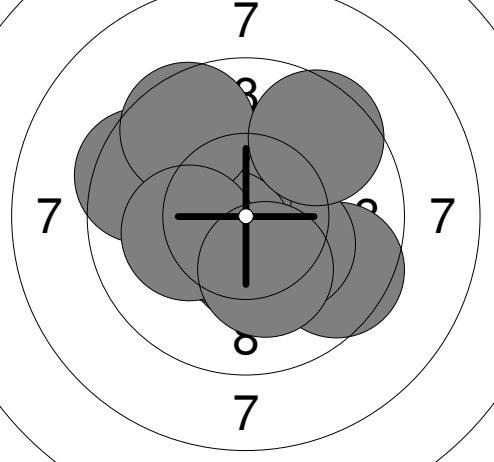
31:	*10.9	↘
32:	*10.6	↘
33:	*10.5	↘
34:	*10.4	↙
35:	*10.3	↗
36:	9.7	↙
37:	*10.7	↖
38:	*10.8	↙
39:	*10.3	↙
40:	*10.6	↘
Serie		99.0
Total		393.0

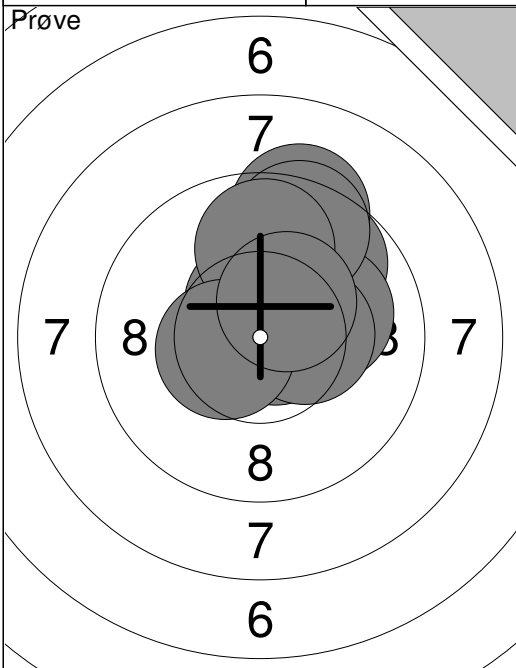
<p>Prøve</p> 	<table border="1" style="width:100%; border-collapse: collapse;"> <tr><td>1:</td><td>*10.5</td><td>↗</td></tr> <tr><td>2:</td><td>9.7</td><td>↓</td></tr> <tr><td>3:</td><td>10.0</td><td>↑</td></tr> <tr><td>4:</td><td>*10.5</td><td>←</td></tr> <tr><td>5:</td><td>9.3</td><td>←</td></tr> <tr><td>6:</td><td>9.8</td><td>↗</td></tr> <tr><td>7:</td><td>*10.2</td><td>←</td></tr> <tr><td>8:</td><td>*10.2</td><td>↑</td></tr> <tr><td>9:</td><td>10.0</td><td>↗</td></tr> <tr><td>10:</td><td>9.6</td><td>←</td></tr> <tr><td colspan="2">Serie</td><td>96.0</td></tr> <tr><td colspan="2">Total</td><td>0.0</td></tr> </table>	1:	*10.5	↗	2:	9.7	↓	3:	10.0	↑	4:	*10.5	←	5:	9.3	←	6:	9.8	↗	7:	*10.2	←	8:	*10.2	↑	9:	10.0	↗	10:	9.6	←	Serie		96.0	Total		0.0	<p>Prøve</p>  <table border="1" style="width:100%; border-collapse: collapse;"> <tr><td>11:</td><td>10.0</td><td>↗</td></tr> <tr><td>12:</td><td>9.9</td><td>←</td></tr> <tr><td>13:</td><td>9.7</td><td>↗</td></tr> <tr><td>14:</td><td>*10.7</td><td>↗</td></tr> <tr><td>15:</td><td>*10.3</td><td>←</td></tr> <tr><td>16:</td><td>*10.3</td><td>↙</td></tr> <tr><td>17:</td><td>9.6</td><td>←</td></tr> <tr><td>18:</td><td>9.8</td><td>←</td></tr> <tr><td>19:</td><td>*10.5</td><td>↑</td></tr> <tr><td>20:</td><td>8.5</td><td>↗</td></tr> <tr><td colspan="2">Serie</td><td>94.0</td></tr> <tr><td colspan="2">Total</td><td>0.0</td></tr> </table>	11:	10.0	↗	12:	9.9	←	13:	9.7	↗	14:	*10.7	↗	15:	*10.3	←	16:	*10.3	↙	17:	9.6	←	18:	9.8	←	19:	*10.5	↑	20:	8.5	↗	Serie		94.0	Total		0.0
1:	*10.5	↗																																																																								
2:	9.7	↓																																																																								
3:	10.0	↑																																																																								
4:	*10.5	←																																																																								
5:	9.3	←																																																																								
6:	9.8	↗																																																																								
7:	*10.2	←																																																																								
8:	*10.2	↑																																																																								
9:	10.0	↗																																																																								
10:	9.6	←																																																																								
Serie		96.0																																																																								
Total		0.0																																																																								
11:	10.0	↗																																																																								
12:	9.9	←																																																																								
13:	9.7	↗																																																																								
14:	*10.7	↗																																																																								
15:	*10.3	←																																																																								
16:	*10.3	↙																																																																								
17:	9.6	←																																																																								
18:	9.8	←																																																																								
19:	*10.5	↑																																																																								
20:	8.5	↗																																																																								
Serie		94.0																																																																								
Total		0.0																																																																								
<p>Prøve</p> 	<table border="1" style="width:100%; border-collapse: collapse;"> <tr><td>21:</td><td>*10.3</td><td>↙</td></tr> <tr><td>22:</td><td>10.0</td><td>→</td></tr> <tr><td>23:</td><td>10.1</td><td>→</td></tr> <tr><td>24:</td><td>*10.2</td><td>→</td></tr> <tr><td colspan="2">Serie</td><td>40.0</td></tr> <tr><td colspan="2">Total</td><td>0.0</td></tr> </table>	21:	*10.3	↙	22:	10.0	→	23:	10.1	→	24:	*10.2	→	Serie		40.0	Total		0.0	<p>40 Skud</p>  <table border="1" style="width:100%; border-collapse: collapse;"> <tr><td>1:</td><td>10.0</td><td>→</td></tr> <tr><td>2:</td><td>*10.2</td><td>↙</td></tr> <tr><td>3:</td><td>*10.4</td><td>→</td></tr> <tr><td>4:</td><td>*10.7</td><td>↙</td></tr> <tr><td>5:</td><td>*10.3</td><td>↑</td></tr> <tr><td>6:</td><td>9.5</td><td>↓</td></tr> <tr><td>7:</td><td>10.1</td><td>↙</td></tr> <tr><td>8:</td><td>9.6</td><td>→</td></tr> <tr><td>9:</td><td>10.0</td><td>↗</td></tr> <tr><td>10:</td><td>*10.6</td><td>←</td></tr> <tr><td colspan="2">Serie</td><td>98.0</td></tr> <tr><td colspan="2">Total</td><td>98.0</td></tr> </table>	1:	10.0	→	2:	*10.2	↙	3:	*10.4	→	4:	*10.7	↙	5:	*10.3	↑	6:	9.5	↓	7:	10.1	↙	8:	9.6	→	9:	10.0	↗	10:	*10.6	←	Serie		98.0	Total		98.0																		
21:	*10.3	↙																																																																								
22:	10.0	→																																																																								
23:	10.1	→																																																																								
24:	*10.2	→																																																																								
Serie		40.0																																																																								
Total		0.0																																																																								
1:	10.0	→																																																																								
2:	*10.2	↙																																																																								
3:	*10.4	→																																																																								
4:	*10.7	↙																																																																								
5:	*10.3	↑																																																																								
6:	9.5	↓																																																																								
7:	10.1	↙																																																																								
8:	9.6	→																																																																								
9:	10.0	↗																																																																								
10:	*10.6	←																																																																								
Serie		98.0																																																																								
Total		98.0																																																																								
<p>40 Skud</p> 	<table border="1" style="width:100%; border-collapse: collapse;"> <tr><td>11:</td><td>*10.3</td><td>↑</td></tr> <tr><td>12:</td><td>*10.8</td><td>↙</td></tr> <tr><td>13:</td><td>*10.5</td><td>↙</td></tr> <tr><td>14:</td><td>9.3</td><td>↓</td></tr> <tr><td>15:</td><td>9.6</td><td>↓</td></tr> <tr><td>16:</td><td>*10.5</td><td>↗</td></tr> <tr><td>17:</td><td>10.0</td><td>→</td></tr> <tr><td>18:</td><td>*10.7</td><td>→</td></tr> <tr><td>19:</td><td>*10.5</td><td>↑</td></tr> <tr><td>20:</td><td>*10.7</td><td>↑</td></tr> <tr><td colspan="2">Serie</td><td>98.0</td></tr> <tr><td colspan="2">Total</td><td>196.0</td></tr> </table>	11:	*10.3	↑	12:	*10.8	↙	13:	*10.5	↙	14:	9.3	↓	15:	9.6	↓	16:	*10.5	↗	17:	10.0	→	18:	*10.7	→	19:	*10.5	↑	20:	*10.7	↑	Serie		98.0	Total		196.0	<p>40 Skud</p>  <table border="1" style="width:100%; border-collapse: collapse;"> <tr><td>21:</td><td>*10.3</td><td>↙</td></tr> <tr><td>22:</td><td>9.8</td><td>↗</td></tr> <tr><td>23:</td><td>*10.6</td><td>↗</td></tr> <tr><td>24:</td><td>*10.7</td><td>←</td></tr> <tr><td>25:</td><td>*10.3</td><td>→</td></tr> <tr><td>26:</td><td>9.7</td><td>↓</td></tr> <tr><td>27:</td><td>*10.3</td><td>↙</td></tr> <tr><td>28:</td><td>*10.3</td><td>↗</td></tr> <tr><td>29:</td><td>*10.6</td><td>→</td></tr> <tr><td>30:</td><td>*10.2</td><td>↓</td></tr> <tr><td colspan="2">Serie</td><td>98.0</td></tr> <tr><td colspan="2">Total</td><td>294.0</td></tr> </table>	21:	*10.3	↙	22:	9.8	↗	23:	*10.6	↗	24:	*10.7	←	25:	*10.3	→	26:	9.7	↓	27:	*10.3	↙	28:	*10.3	↗	29:	*10.6	→	30:	*10.2	↓	Serie		98.0	Total		294.0
11:	*10.3	↑																																																																								
12:	*10.8	↙																																																																								
13:	*10.5	↙																																																																								
14:	9.3	↓																																																																								
15:	9.6	↓																																																																								
16:	*10.5	↗																																																																								
17:	10.0	→																																																																								
18:	*10.7	→																																																																								
19:	*10.5	↑																																																																								
20:	*10.7	↑																																																																								
Serie		98.0																																																																								
Total		196.0																																																																								
21:	*10.3	↙																																																																								
22:	9.8	↗																																																																								
23:	*10.6	↗																																																																								
24:	*10.7	←																																																																								
25:	*10.3	→																																																																								
26:	9.7	↓																																																																								
27:	*10.3	↙																																																																								
28:	*10.3	↗																																																																								
29:	*10.6	→																																																																								
30:	*10.2	↓																																																																								
Serie		98.0																																																																								
Total		294.0																																																																								
<p>40 Skud</p> 	<table border="1" style="width:100%; border-collapse: collapse;"> <tr><td>31:</td><td>8.8</td><td>↗</td></tr> <tr><td>32:</td><td>*10.3</td><td>↗</td></tr> <tr><td>33:</td><td>*10.5</td><td>↗</td></tr> <tr><td>34:</td><td>9.8</td><td>↓</td></tr> <tr><td>35:</td><td>*10.5</td><td>↓</td></tr> <tr><td>36:</td><td>*10.3</td><td>↑</td></tr> <tr><td>37:</td><td>*10.6</td><td>↗</td></tr> <tr><td>38:</td><td>9.8</td><td>↓</td></tr> <tr><td>39:</td><td>*10.5</td><td>↓</td></tr> <tr><td>40:</td><td>9.6</td><td>↓</td></tr> <tr><td colspan="2">Serie</td><td>95.0</td></tr> <tr><td colspan="2">Total</td><td>389.0</td></tr> </table>	31:	8.8	↗	32:	*10.3	↗	33:	*10.5	↗	34:	9.8	↓	35:	*10.5	↓	36:	*10.3	↑	37:	*10.6	↗	38:	9.8	↓	39:	*10.5	↓	40:	9.6	↓	Serie		95.0	Total		389.0																																					
31:	8.8	↗																																																																								
32:	*10.3	↗																																																																								
33:	*10.5	↗																																																																								
34:	9.8	↓																																																																								
35:	*10.5	↓																																																																								
36:	*10.3	↑																																																																								
37:	*10.6	↗																																																																								
38:	9.8	↓																																																																								
39:	*10.5	↓																																																																								
40:	9.6	↓																																																																								
Serie		95.0																																																																								
Total		389.0																																																																								

Prøve 	1: 10.1 → 2: 8.8 → 3: *10.2 ↓ 4: 9.8 ↙ 5: *10.3 ↑ 6: 9.3 → 7: 10.0 → 8: *10.6 ← 9: 9.8 ← 10: *10.2 → <hr/> Serie 95.0 Total 0.0	Prøve 	11: 10.1 → 12: *10.3 → 13: *10.2 ← 14: 9.8 → 15: *10.2 ↗ 16: 9.6 → 17: 10.0 ↙ 18: 9.9 → 19: 8.5 ↘ 20: 9.6 ↗ <hr/> Serie 94.0 Total 0.0
---	--	---	---

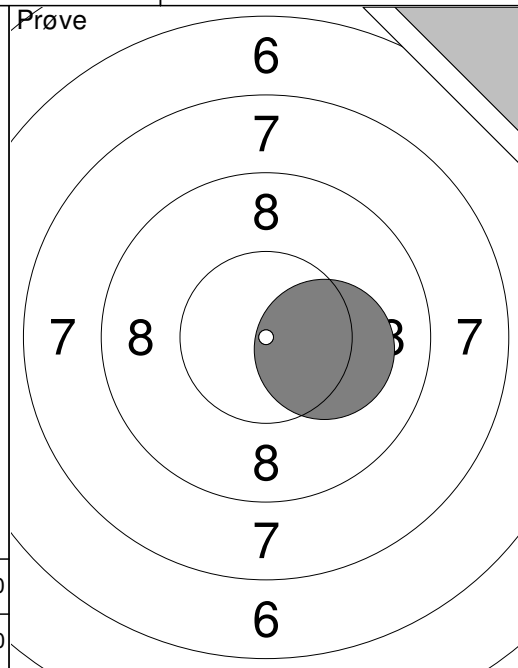
Prøve 	21: *10.5 ↘ 22: 9.9 ↘ 23: 9.9 ← 24: *10.3 ↗ <hr/> Serie 38.0 Total 0.0	40 Skud 	1: *10.3 ↗ 2: *10.6 ↓ 3: 9.9 ↓ 4: *10.4 ← 5: *10.4 ↙ 6: 9.8 → 7: 9.6 → 8: *10.2 → 9: 10.0 → 10: 9.8 ↘ <hr/> Serie 96.0 Total 96.0
--	---	--	--

40 Skud 	11: 9.3 ↘ 12: 9.6 ↑ 13: *10.3 ↗ 14: *10.2 ↑ 15: *10.7 ↙ 16: *10.6 ↓ 17: 10.0 → 18: 9.3 ↙ 19: 9.4 ↘ 20: *10.7 ↑ <hr/> Serie 96.0 Total 192.0	40 Skud 	21: 9.9 ↓ 22: *10.4 ↗ 23: *10.2 ↗ 24: *10.7 ↘ 25: 9.6 ← 26: *10.3 → 27: 9.7 ← 28: 9.3 ← 29: *10.3 ↘ 30: 9.8 ↘ <hr/> Serie 95.0 Total 287.0
---	--	---	---

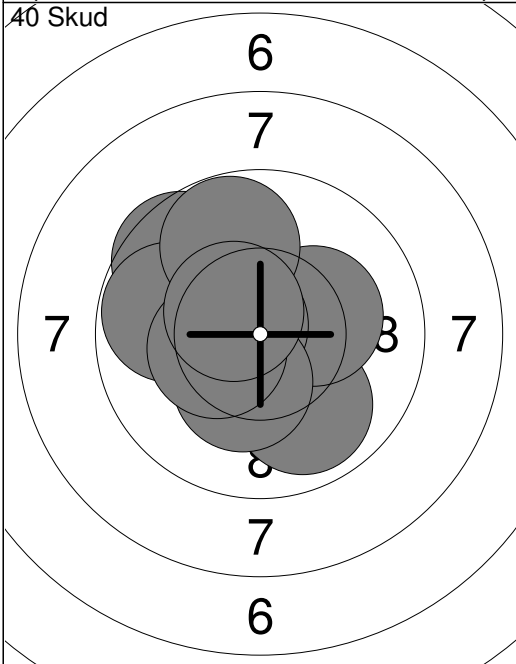
40 Skud 	31: 9.6 ↘ 32: *10.4 ↓ 33: *10.3 ↘ 34: *10.6 ↗ 35: *10.6 ↘ 36: 9.5 ↗ 37: 9.6 ↗ 38: *10.2 ← 39: *10.2 ↘ 40: 9.6 ↗ <hr/> Serie 96.0 Total 383.0		
---	---	--	--



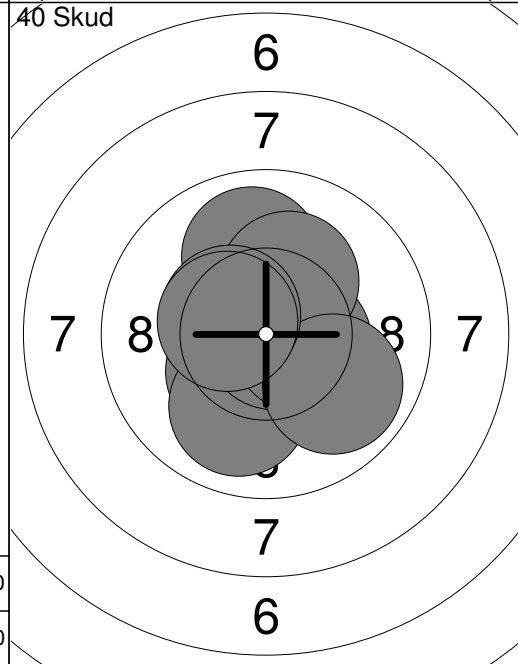
1:	*10.8	→
2:	9.7	↗
3:	*10.5	↑
4:	10.1	→
5:	*10.4	→
6:	9.3	↑
7:	9.5	↑
8:	9.8	↑
9:	*10.5	←
10:	*10.4	↖
Serie		96.0
Total		0.0



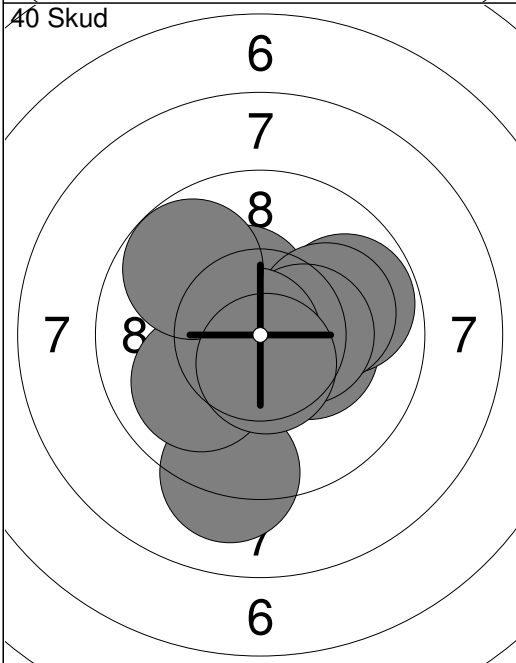
11:	*10.2	→
Serie		10.0
Total		0.0



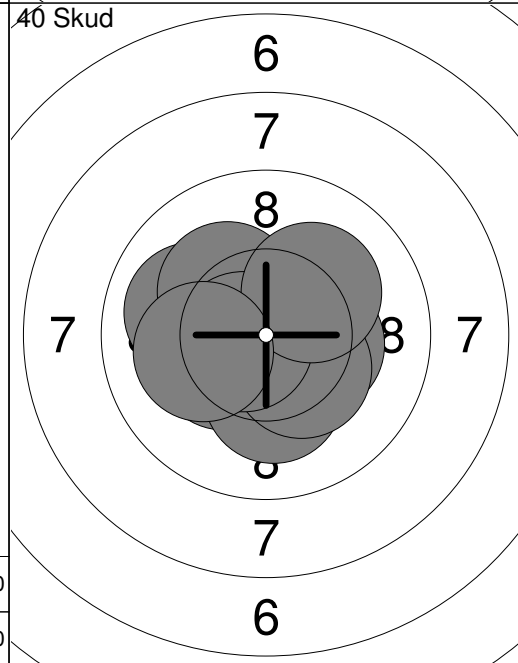
1:	9.9	↘
2:	9.6	↗
3:	*10.9	↗
4:	9.8	←
5:	*10.2	→
6:	9.8	↑
7:	*10.7	↖
8:	*10.3	↘
9:	*10.4	←
10:	*10.5	↖
Serie		96.0
Total		96.0



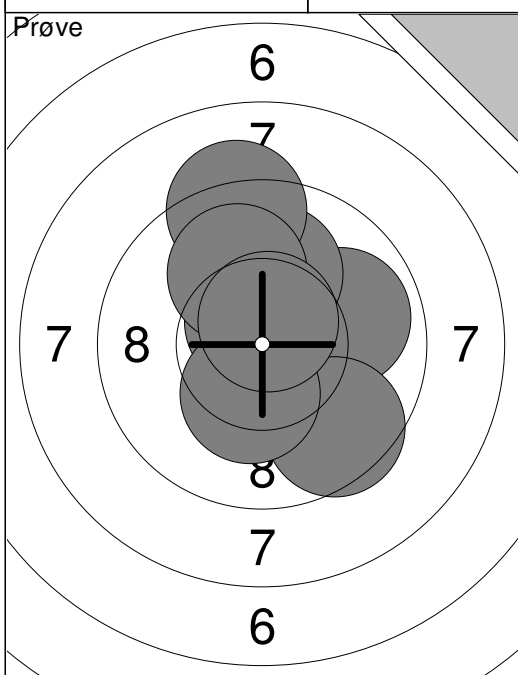
11:	9.9	↑
12:	*10.3	↘
13:	*10.4	↘
14:	10.0	↘
15:	*10.8	↘
16:	*10.5	→
17:	*10.2	↗
18:	9.9	↘
19:	*10.4	↖
20:	*10.4	↖
Serie		98.0
Total		194.0



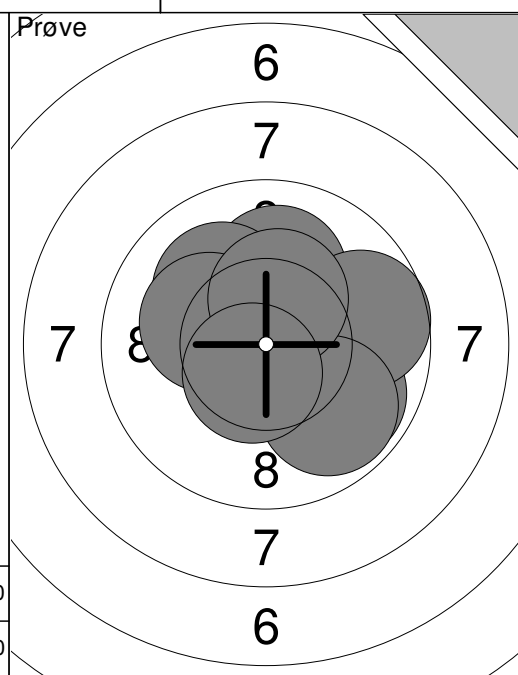
21:	*10.3	→
22:	9.8	→
23:	*10.4	↗
24:	9.1	↘
25:	10.1	→
26:	*10.4	→
27:	*10.8	←
28:	10.0	↖
29:	9.8	↖
30:	*10.6	↘
Serie		97.0
Total		291.0



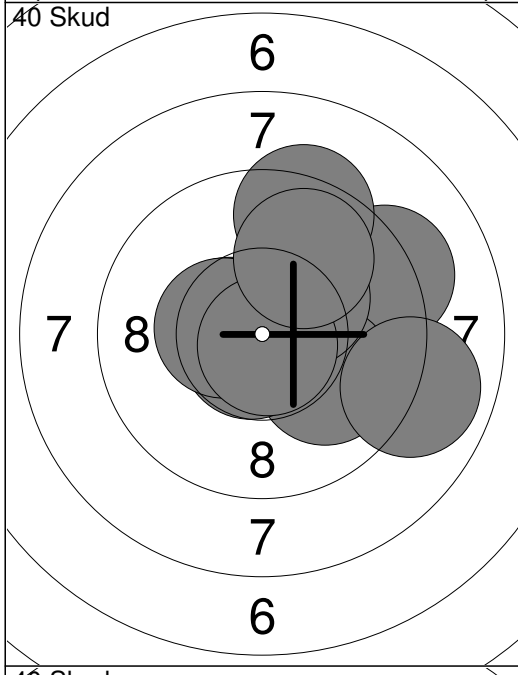
31:	*10.3	↖
32:	*10.5	←
33:	10.0	←
34:	*10.3	→
35:	*10.2	↗
36:	*10.2	↘
37:	*10.3	↘
38:	*10.6	←
39:	*10.2	↗
40:	10.1	←
Serie		100.0
Total		391.0



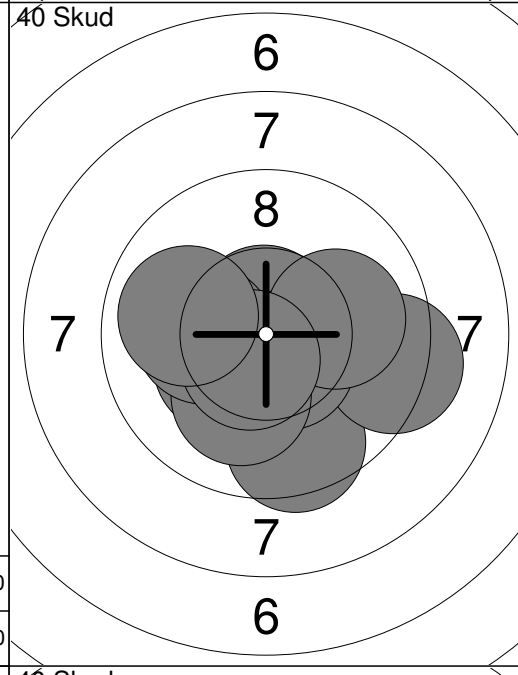
1:	*10.9	↑
2:	*10.6	↑
3:	*10.6	→
4:	9.9	→
5:	9.5	↓
6:	*10.3	↓
7:	10.0	↑
8:	9.2	↑
9:	10.0	↑
10:	*10.6	↑
Serie		97.0
Total		0.0



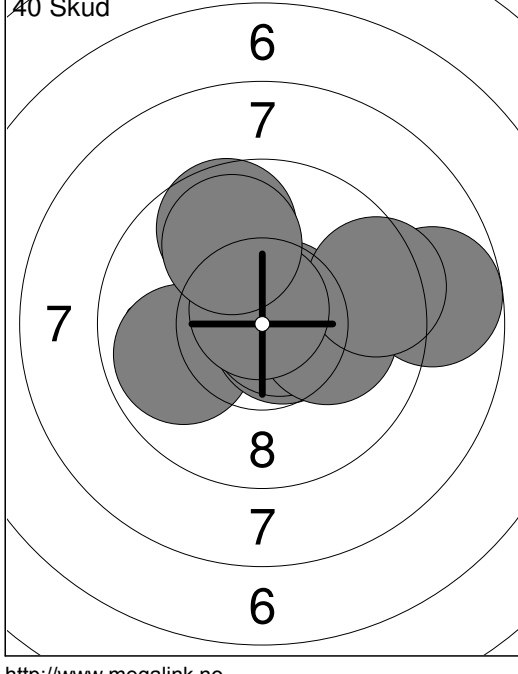
11:	9.9	↓
12:	10.1	↑
13:	9.7	→
14:	10.1	↑
15:	9.8	↓
16:	*10.2	←
17:	*10.3	↑
18:	*10.5	↓
Serie		77.0
Total		0.0



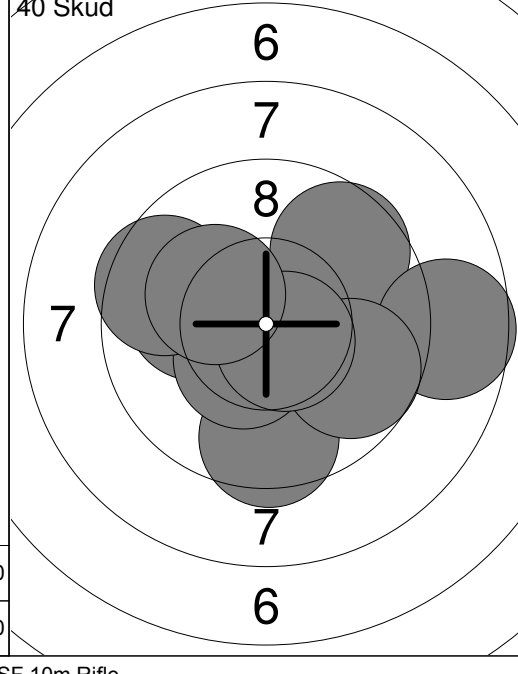
1:	9.2	→
2:	10.0	↓
3:	*10.5	←
4:	9.3	↑
5:	*10.7	↓
6:	*10.3	↑
7:	*10.5	←
8:	8.9	→
9:	*10.8	↓
10:	9.9	↑
Serie		95.0
Total		95.0



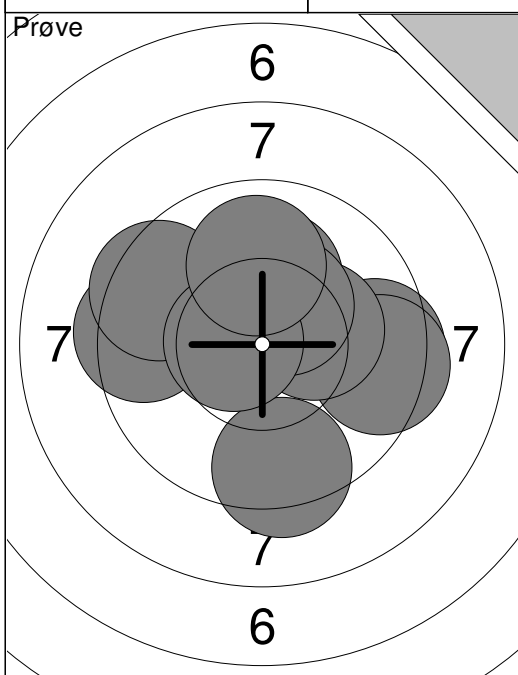
11:	9.5	↓
12:	9.3	→
13:	*10.7	↑
14:	*10.3	←
15:	*10.5	↓
16:	10.1	↓
17:	*10.2	←
18:	10.0	→
19:	*10.6	↓
20:	9.9	←
Serie		97.0
Total		192.0



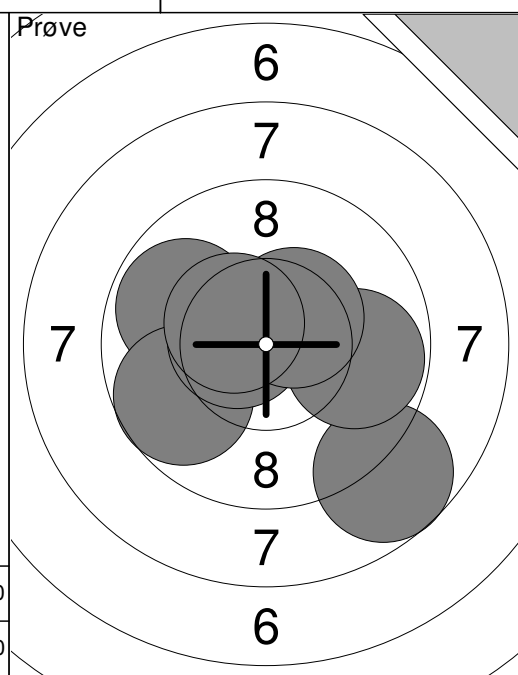
21:	9.9	←
22:	*10.7	→
23:	8.8	→
24:	9.7	↑
25:	*10.7	↑
26:	*10.7	→
27:	10.1	→
28:	9.4	→
29:	*10.8	↑
30:	9.9	↑
Serie		94.0
Total		286.0



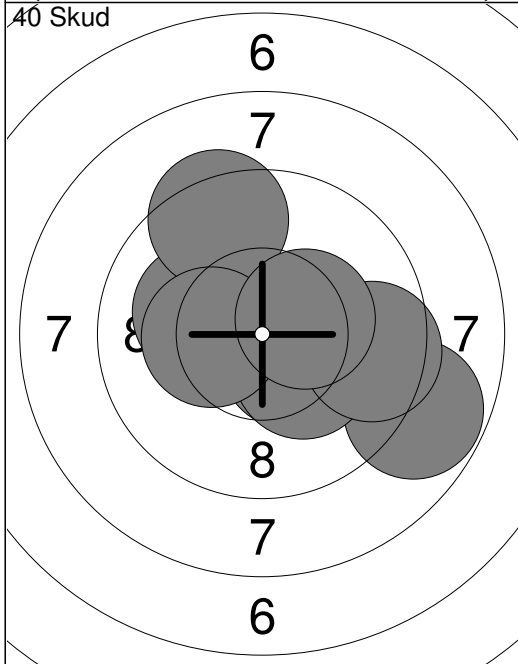
31:	9.5	↓
32:	10.0	←
33:	10.0	→
34:	9.6	↑
35:	8.7	→
36:	*10.4	↓
37:	9.6	←
38:	9.7	↓
39:	*10.6	↓
40:	*10.2	←
Serie		94.0
Total		380.0



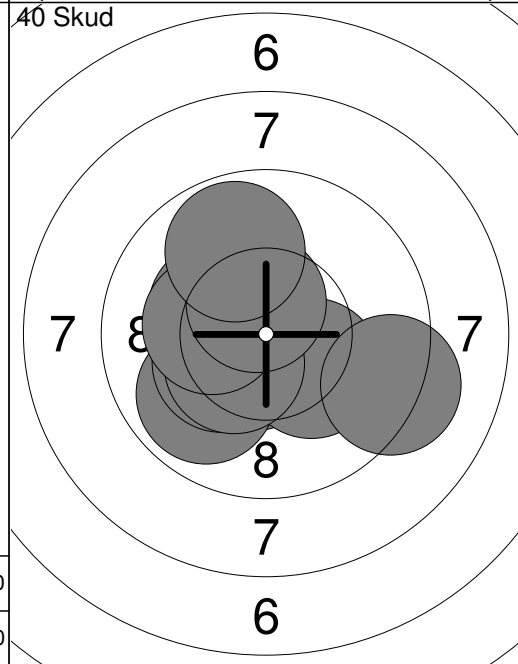
1:	9.5	→
2:	9.4	↓
3:	9.4	←
4:	9.5	↗
5:	9.4	→
6:	*10.3	→
7:	10.1	↑
8:	*10.4	↗
9:	*10.6	←
10:	9.9	↑
Serie		94.0
Total		0.0



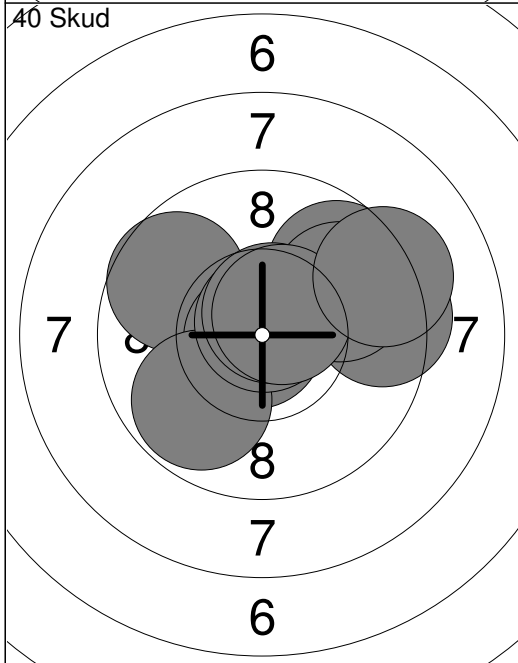
11:	9.8	↖
12:	9.7	↙
13:	8.7	↓
14:	*10.6	←
15:	9.8	→
16:	*10.5	↗
17:	*10.5	↖
Serie		65.0
Total		0.0



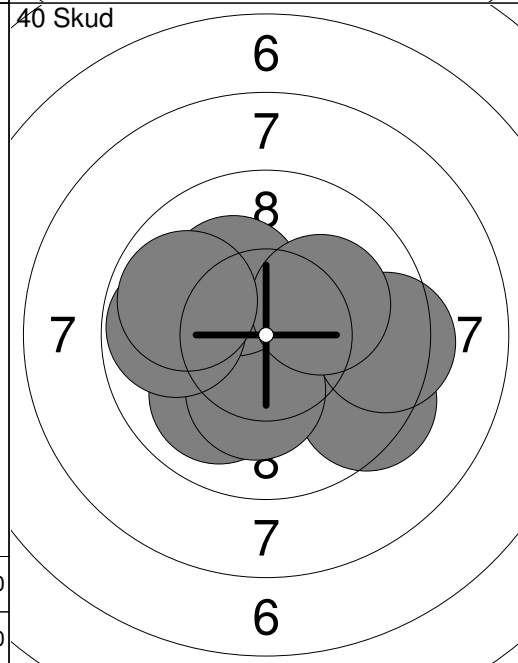
1:	*10.5	↘
2:	8.8	↘
3:	10.1	←
4:	*10.4	→
5:	9.4	↑
6:	*10.2	↘
7:	*10.3	↘
8:	*10.3	←
9:	9.5	→
10:	*10.4	→
Serie		96.0
Total		96.0



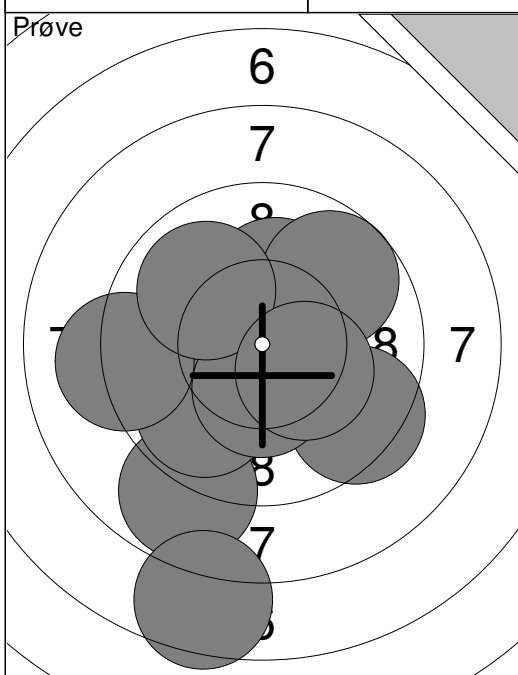
11:	*10.6	↘
12:	9.9	↙
13:	*10.3	↙
14:	*10.2	↘
15:	*10.3	↖
16:	*10.4	↙
17:	*10.3	←
18:	*10.5	↑
19:	9.2	→
20:	9.8	↑
Serie		97.0
Total		193.0



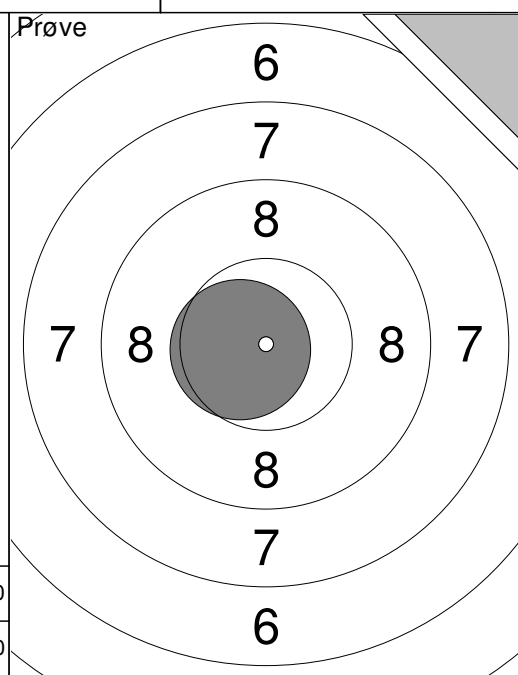
21:	9.7	↖
22:	*10.8	←
23:	9.8	↙
24:	*10.8	↑
25:	9.4	→
26:	9.7	↗
27:	9.8	↗
28:	*10.6	↑
29:	*10.6	↗
30:	9.2	→
Serie		94.0
Total		287.0



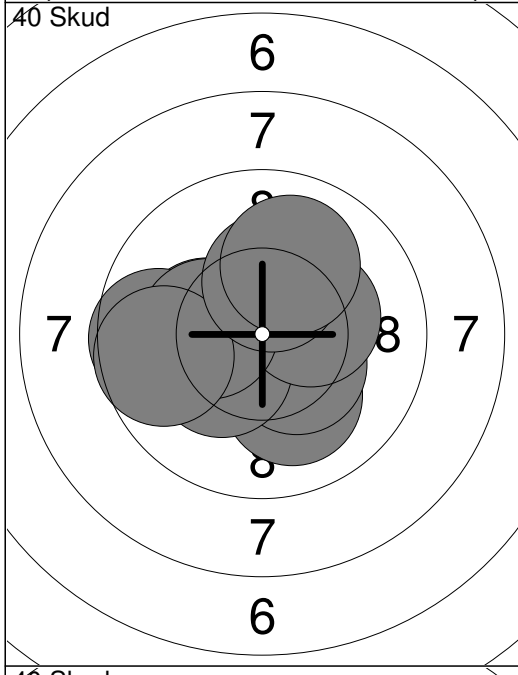
31:	10.0	←
32:	*10.6	↗
33:	10.0	↙
34:	9.4	↘
35:	*10.2	↘
36:	*10.2	↗
37:	9.4	→
38:	10.1	↗
39:	9.8	←
40:	9.9	↖
Serie		96.0
Total		383.0



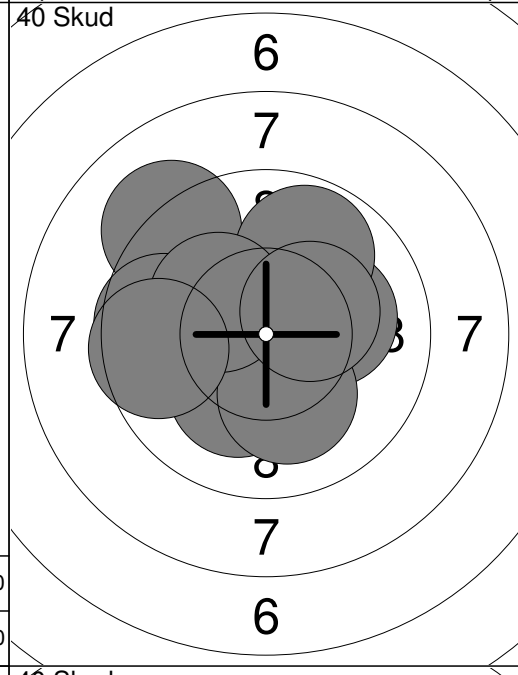
1:	8.8	↘
2:	7.6	↘
3:	9.8	↙
4:	9.4	↘
5:	*10.4	↘
6:	*10.2	↗
7:	9.7	↗
8:	9.2	←
9:	9.9	↖
10:	*10.3	↘
Serie		90.0
Total		0.0



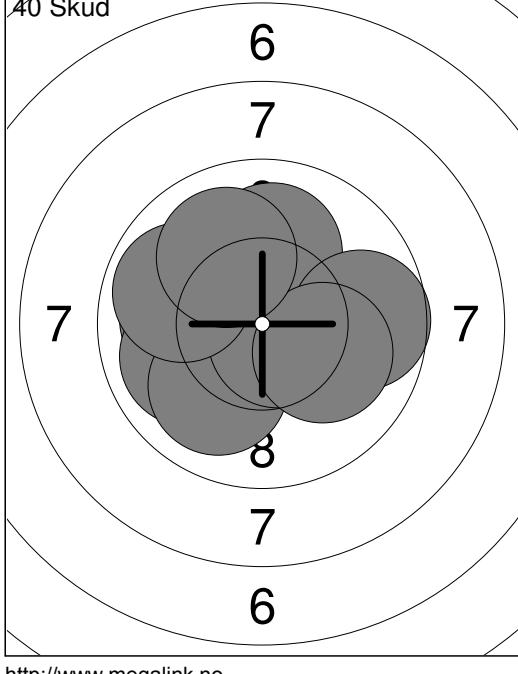
11:	*10.6	←
Serie		10.0
Total		0.0



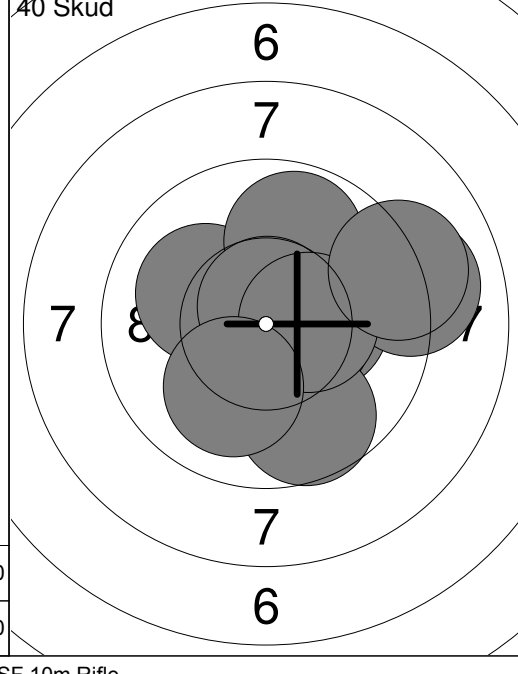
1:	10.1	↘
2:	*10.4	↘
3:	*10.2	←
4:	*10.3	↙
5:	9.6	←
6:	*10.3	→
7:	*10.3	←
8:	9.7	←
9:	*10.3	↗
10:	10.0	↗
Serie		98.0
Total		98.0



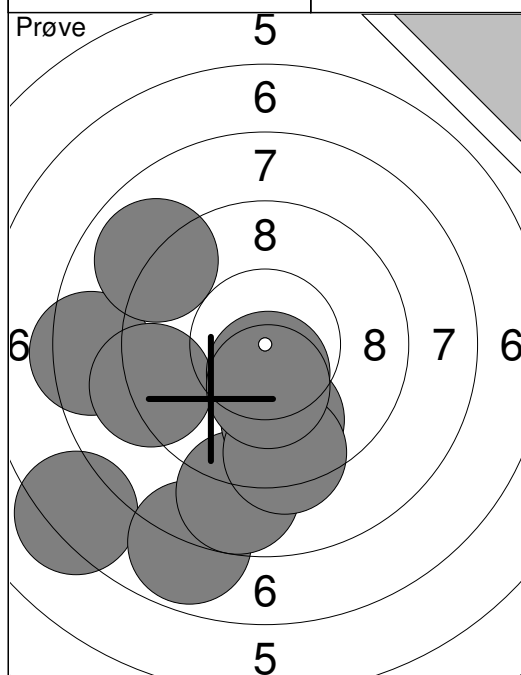
11:	*10.6	→
12:	9.2	↖
13:	10.1	→
14:	9.8	↗
15:	9.6	←
16:	*10.2	↘
17:	10.1	↘
18:	*10.2	↖
19:	9.6	←
20:	*10.3	↗
Serie		96.0
Total		194.0



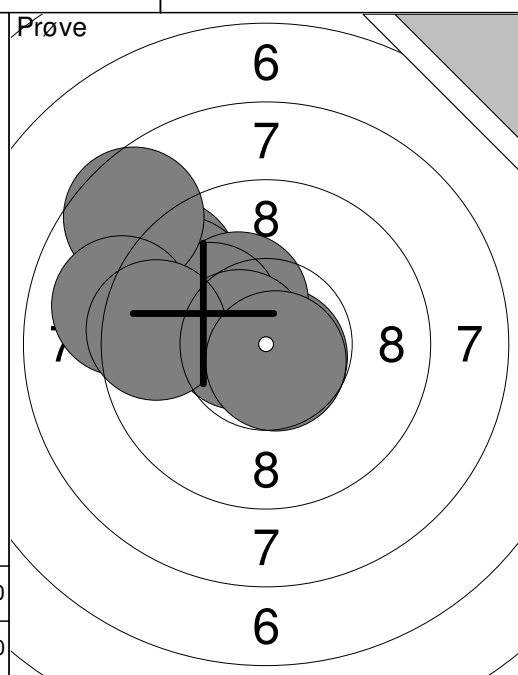
21:	10.0	←
22:	9.9	←
23:	10.0	↘
24:	*10.2	↗
25:	*10.7	↘
26:	9.9	↖
27:	10.0	↗
28:	9.7	→
29:	10.1	↘
30:	10.0	↖
Serie		97.0
Total		291.0



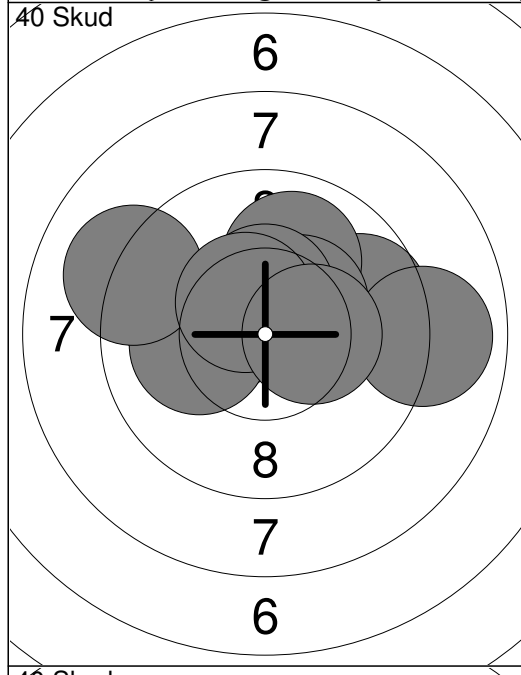
31:	*10.3	→
32:	9.0	→
33:	*10.5	→
34:	10.1	↖
35:	9.8	↗
36:	*10.7	↗
37:	9.7	↘
38:	*10.4	→
39:	10.0	↘
40:	9.1	↗
Serie		96.0
Total		387.0



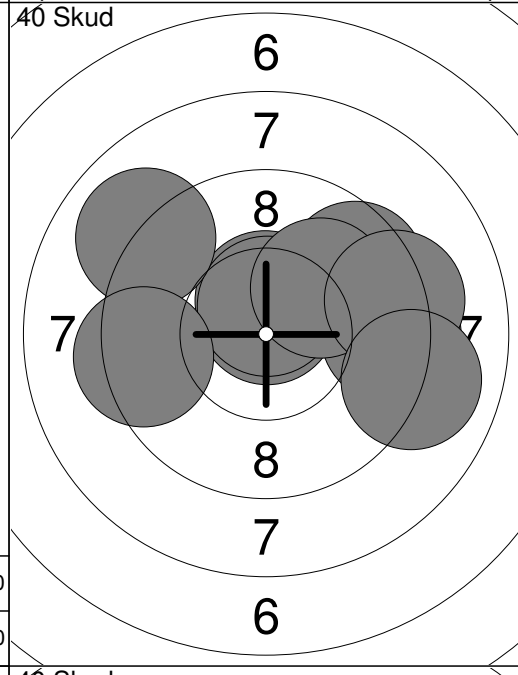
1:	7.3	↙
2:	7.9	↓
3:	8.7	↓
4:	8.4	←
5:	9.2	←
6:	9.8	↓
7:	9.3	↓
8:	*10.5	↓
9:	*10.3	↓
10:	8.9	↖
Serie		85.0
Total		0.0



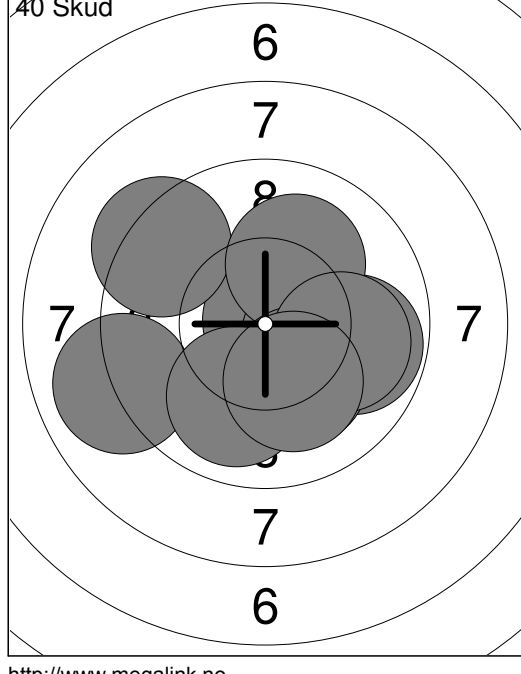
11:	9.4	↗
12:	9.6	↗
13:	*10.7	↓
14:	*10.3	↗
15:	10.1	↗
16:	8.6	↗
17:	*10.6	←
18:	9.0	←
19:	9.5	←
20:	*10.7	↓
Serie		94.0
Total		0.0



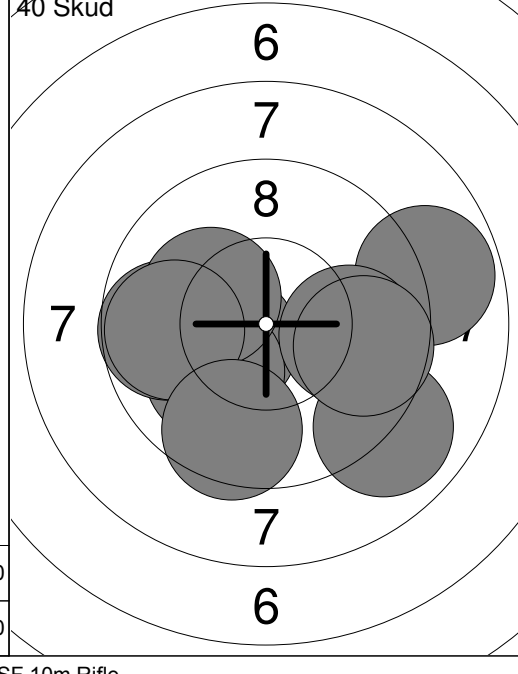
1:	9.7	→
2:	8.9	→
3:	10.0	↗
4:	*10.3	←
5:	10.1	←
6:	9.1	←
7:	*10.4	↗
8:	*10.4	↑
9:	*10.5	↖
10:	*10.4	→
Serie		96.0
Total		96.0



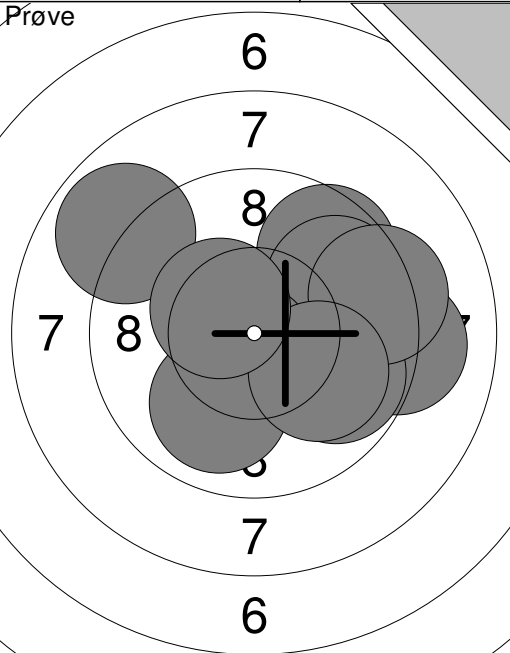
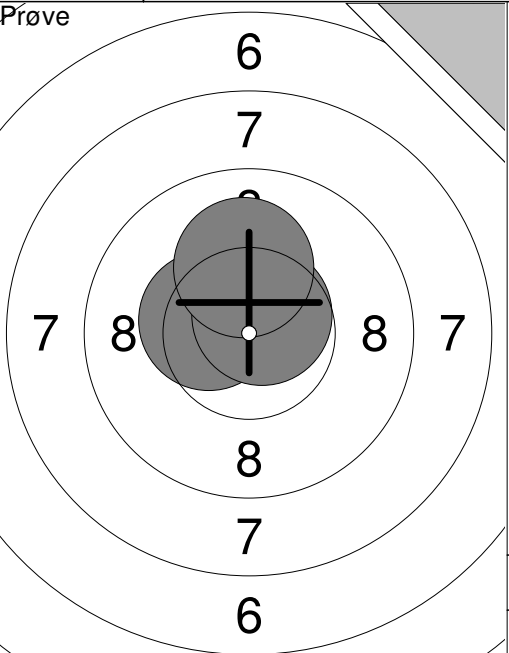
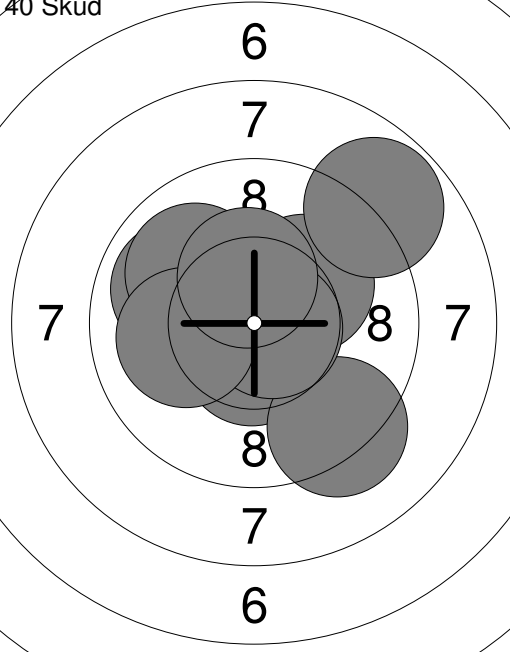
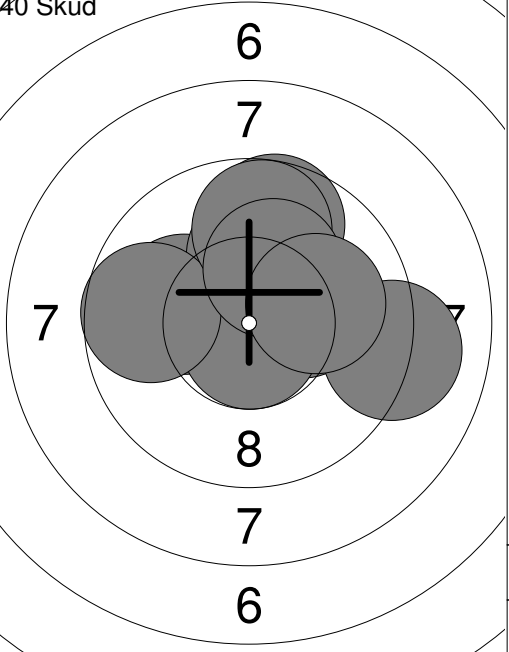
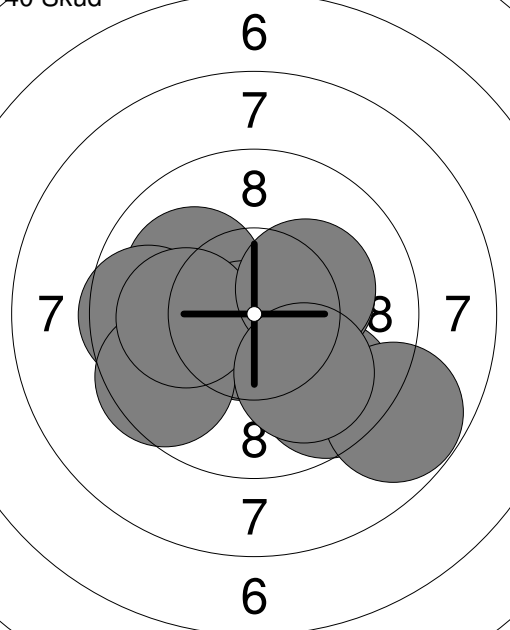
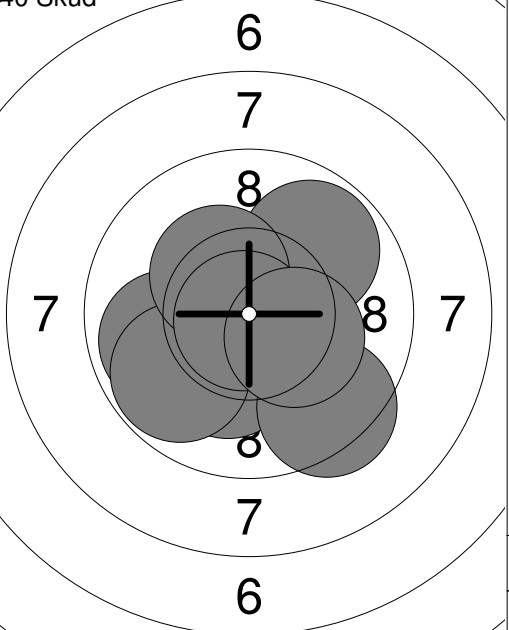
11:	*10.7	↑
12:	*10.5	↑
13:	*10.6	↑
14:	9.0	←
15:	9.4	→
16:	9.6	↗
17:	10.0	↗
18:	9.3	→
19:	9.0	→
20:	9.4	←
Serie		94.0
Total		190.0

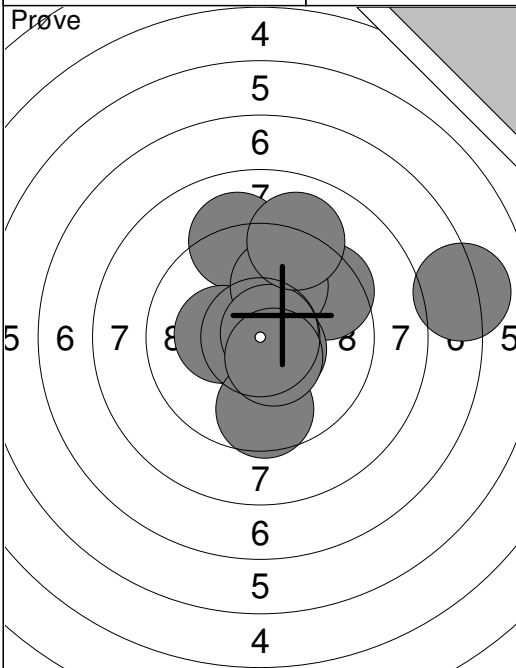


21:	9.0	←
22:	9.8	→
23:	*10.8	↗
24:	9.3	↗
25:	*10.3	→
26:	10.1	↗
27:	*10.2	↓
28:	10.0	→
29:	10.0	↓
30:	10.1	↓
Serie		97.0
Total		287.0

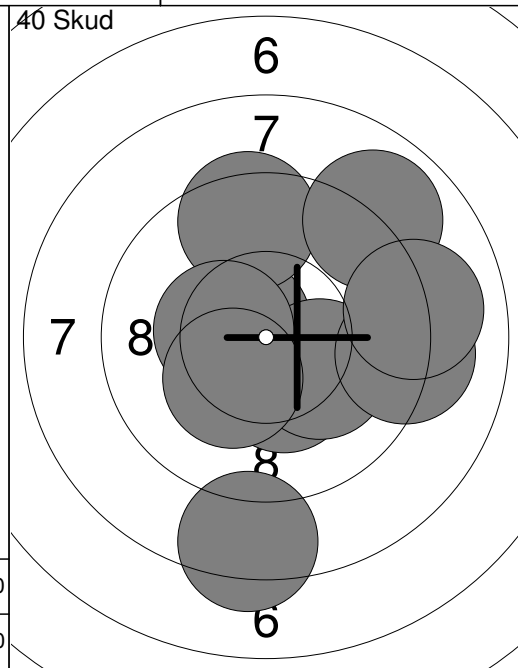


31:	*10.4	←
32:	10.1	↙
33:	9.0	↓
34:	9.7	←
35:	*10.2	↖
36:	9.8	←
37:	9.5	↓
38:	8.8	→
39:	9.9	→
40:	9.7	→
Serie		92.0
Total		379.0

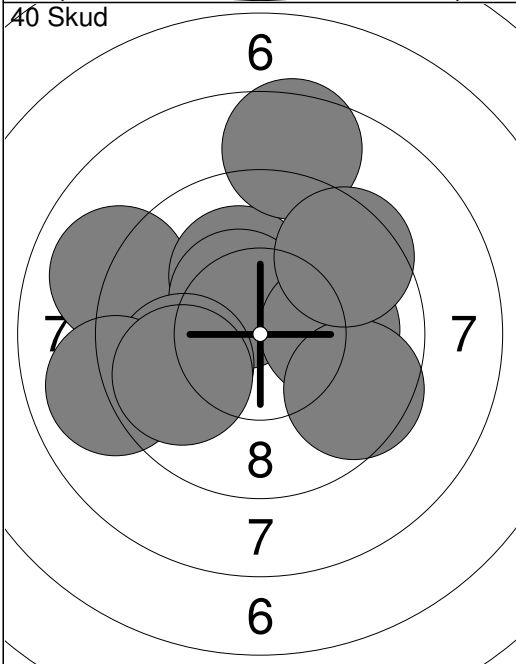
<p>Prøve</p>  <p style="text-align: center;">6 7 8 7 6</p>	<p>1: 9.1 →</p> <p>2: 9.6 ↗</p> <p>3: 8.9 ↖</p> <p>4: 9.8 →</p> <p>5: *10.7 ↓</p> <p>6: 9.8 →</p> <p>7: 9.3 →</p> <p>8: 10.0 ↓</p> <p>9: 10.0 ↘</p> <p>10: *10.4 ↖</p> <table border="1" style="width:100%; border-collapse: collapse;"> <tr><td>Serie</td><td style="text-align: right;">93.0</td></tr> <tr><td>Total</td><td style="text-align: right;">0.0</td></tr> </table>	Serie	93.0	Total	0.0	<p>Prøve</p>  <p style="text-align: center;">6 7 8 7 6</p> <p>11: *10.4 ←</p> <p>12: *10.7 ↗</p> <p>13: 10.1 ↑</p> <table border="1" style="width:100%; border-collapse: collapse;"> <tr><td>Serie</td><td style="text-align: right;">30.0</td></tr> <tr><td>Total</td><td style="text-align: right;">0.0</td></tr> </table>	Serie	30.0	Total	0.0
Serie	93.0									
Total	0.0									
Serie	30.0									
Total	0.0									
<p>40 Skud</p>  <p style="text-align: center;">6 7 8 7 6</p>	<p>1: 9.9 ↖</p> <p>2: 10.1 ↗</p> <p>3: *10.5 ↓</p> <p>4: 9.3 ↓</p> <p>5: *10.9 ↗</p> <p>6: *10.7 →</p> <p>7: 10.0 ↗</p> <p>8: 10.1 ←</p> <p>9: 8.8 ↗</p> <p>10: *10.4 ↑</p> <table border="1" style="width:100%; border-collapse: collapse;"> <tr><td>Serie</td><td style="text-align: right;">96.0</td></tr> <tr><td>Total</td><td style="text-align: right;">96.0</td></tr> </table>	Serie	96.0	Total	96.0	<p>40 Skud</p>  <p style="text-align: center;">6 7 8 7 6</p> <p>11: 10.1 ←</p> <p>12: 9.6 ↑</p> <p>13: *10.3 →</p> <p>14: 10.1 ↑</p> <p>15: *10.7 ↓</p> <p>16: 9.1 →</p> <p>17: 9.7 ←</p> <p>18: 9.8 ↑</p> <p>19: *10.2 ↗</p> <p>20: 10.1 →</p> <table border="1" style="width:100%; border-collapse: collapse;"> <tr><td>Serie</td><td style="text-align: right;">96.0</td></tr> <tr><td>Total</td><td style="text-align: right;">192.0</td></tr> </table>	Serie	96.0	Total	192.0
Serie	96.0									
Total	96.0									
Serie	96.0									
Total	192.0									
<p>40 Skud</p>  <p style="text-align: center;">6 7 8 7 6</p>	<p>21: 10.1 ↖</p> <p>22: 9.6 ↓</p> <p>23: *10.7 ↓</p> <p>24: *10.3 →</p> <p>25: 9.6 ←</p> <p>26: 8.8 ↘</p> <p>27: 9.6 ←</p> <p>28: 10.1 ←</p> <p>29: *10.2 ↗</p> <p>30: 10.0 ↘</p> <table border="1" style="width:100%; border-collapse: collapse;"> <tr><td>Serie</td><td style="text-align: right;">95.0</td></tr> <tr><td>Total</td><td style="text-align: right;">287.0</td></tr> </table>	Serie	95.0	Total	287.0	<p>40 Skud</p>  <p style="text-align: center;">6 7 8 7 6</p> <p>31: *10.7 ↗</p> <p>32: *10.2 ↓</p> <p>33: *10.7 ↗</p> <p>34: 9.9 ←</p> <p>35: 9.4 ↓</p> <p>36: 9.8 ↖</p> <p>37: 9.8 ↗</p> <p>38: *10.3 ↗</p> <p>39: *10.8 ↓</p> <p>40: *10.3 ↘</p> <table border="1" style="width:100%; border-collapse: collapse;"> <tr><td>Serie</td><td style="text-align: right;">96.0</td></tr> <tr><td>Total</td><td style="text-align: right;">383.0</td></tr> </table>	Serie	96.0	Total	383.0
Serie	95.0									
Total	287.0									
Serie	96.0									
Total	383.0									



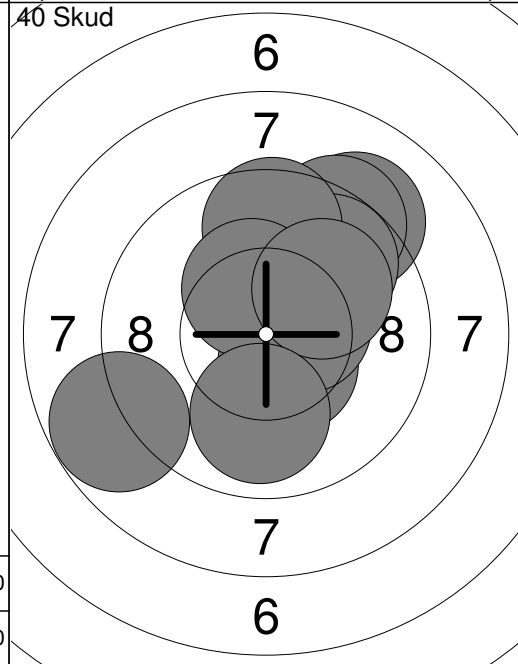
1:	9.1	↗
2:	9.5	↘
3:	*10.3	←
4:	9.6	↓
5:	9.9	↑
6:	7.1	→
7:	*10.6	↘
8:	*10.8	→
9:	*10.5	↘
10:	9.1	↗
Serie		92.0
Total		0.0



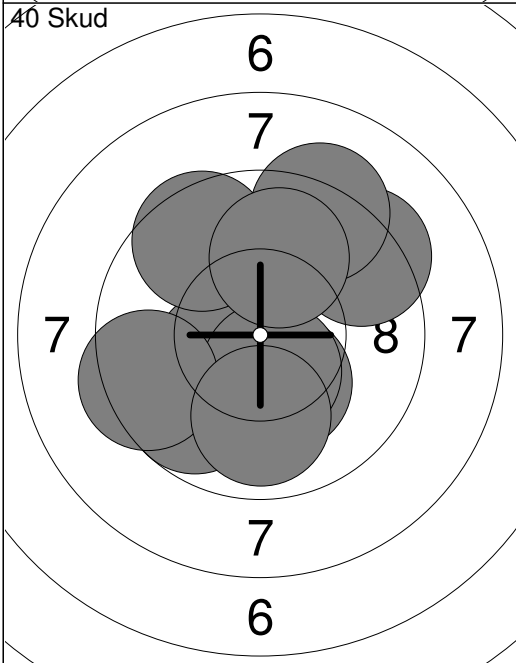
1:	*10.6	↖
2:	*10.3	↓
3:	*10.2	↘
4:	9.5	↑
5:	*10.4	↖
6:	8.3	↓
7:	8.9	↗
8:	9.2	→
9:	9.0	→
10:	*10.3	↙
Serie		93.0
Total		93.0



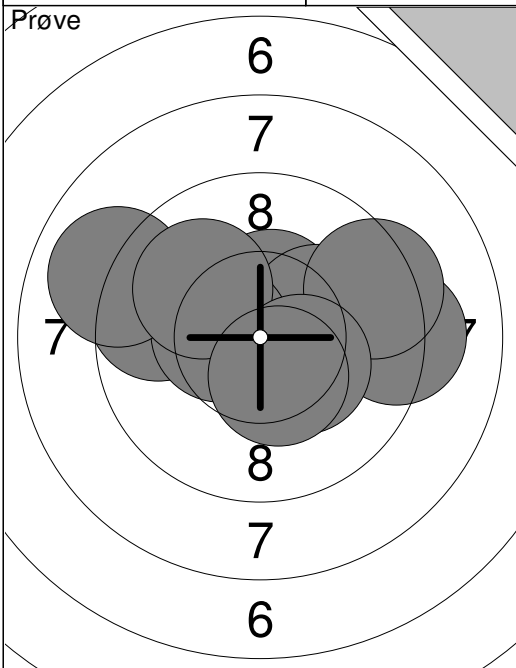
11:	9.0	↖
12:	*10.2	↑
13:	*10.4	↗
14:	8.5	↑
15:	10.1	→
16:	9.9	←
17:	9.6	↘
18:	9.5	↗
19:	9.0	←
20:	9.8	↙
Serie		92.0
Total		185.0



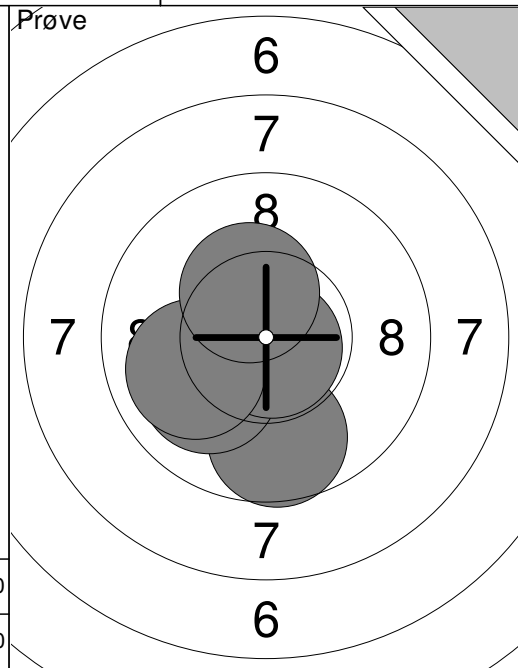
21:	9.1	↗
22:	9.3	↗
23:	9.8	↗
24:	*10.5	↘
25:	9.6	↑
26:	8.8	↙
27:	*10.5	→
28:	*10.3	↑
29:	10.0	↗
30:	9.9	↓
Serie		93.0
Total		278.0



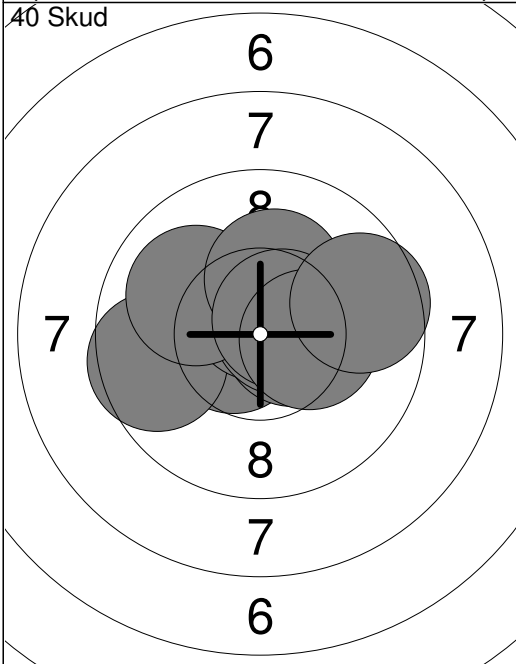
31:	9.7	↙
32:	*10.3	↓
33:	*10.4	↙
34:	*10.5	↓
35:	9.3	↗
36:	9.2	↗
37:	9.5	↗
38:	9.4	←
39:	9.9	↓
40:	9.9	↑
Serie		93.0
Total		371.0



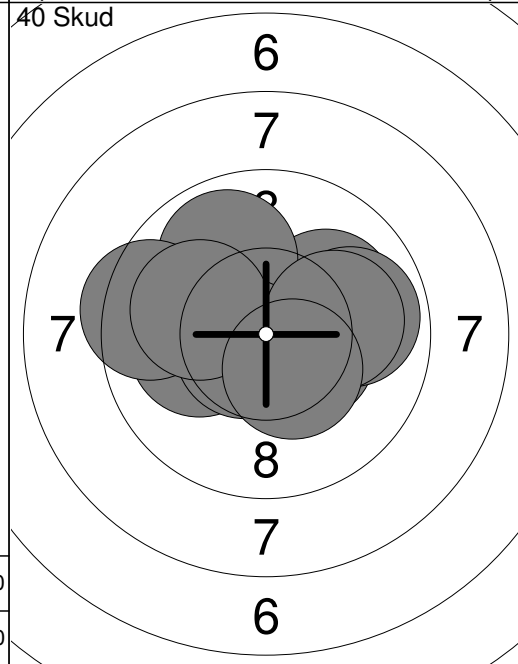
1:	9.6	←
2:	*10.4	↑
3:	*10.2	→
4:	*10.4	←
5:	9.0	←
6:	10.0	↗
7:	9.2	→
8:	9.4	→
9:	*10.3	↘
10:	*10.4	↘
Serie		96.0
Total		0.0



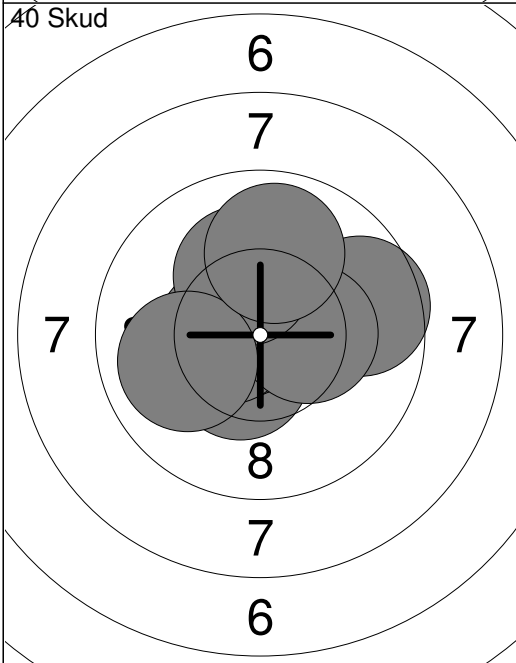
11:	*10.9	←
12:	9.7	↓
13:	10.0	↙
14:	*10.8	↘
15:	10.0	←
16:	*10.3	↑
Serie		59.0
Total		0.0



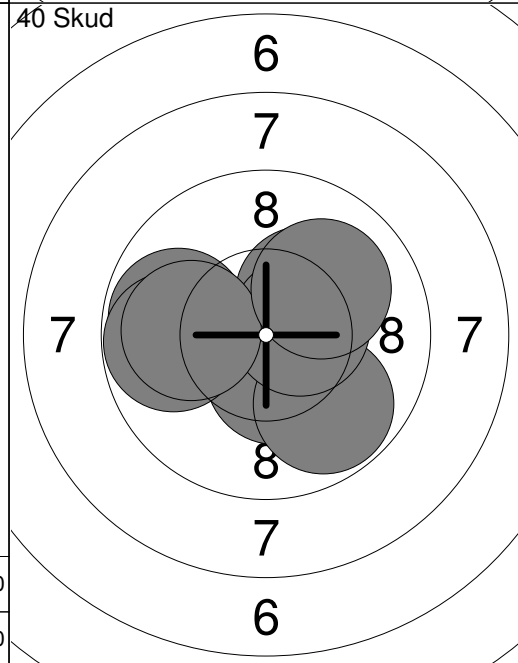
1:	*10.6	←
2:	*10.5	→
3:	9.6	←
4:	*10.6	↑
5:	*10.6	→
6:	10.0	←
7:	*10.2	↑
8:	*10.6	↗
9:	*10.3	→
10:	9.6	→
Serie		98.0
Total		98.0



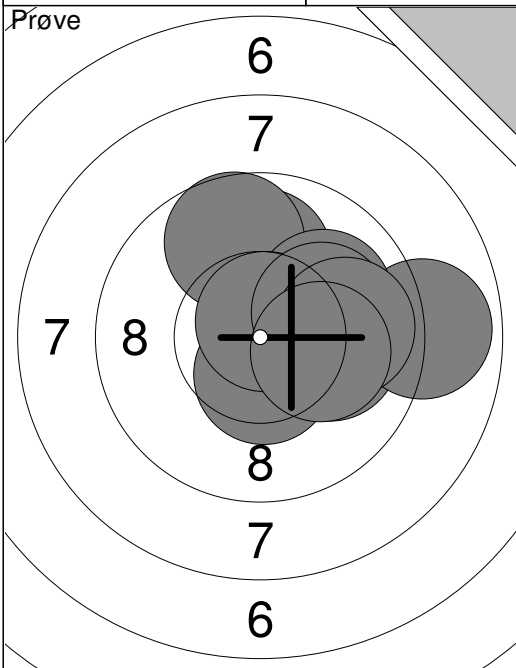
11:	10.1	↗
12:	9.9	↑
13:	10.1	←
14:	*10.6	←
15:	9.4	←
16:	*10.4	↘
17:	9.9	→
18:	10.1	←
19:	10.1	→
20:	*10.4	↘
Serie		97.0
Total		195.0



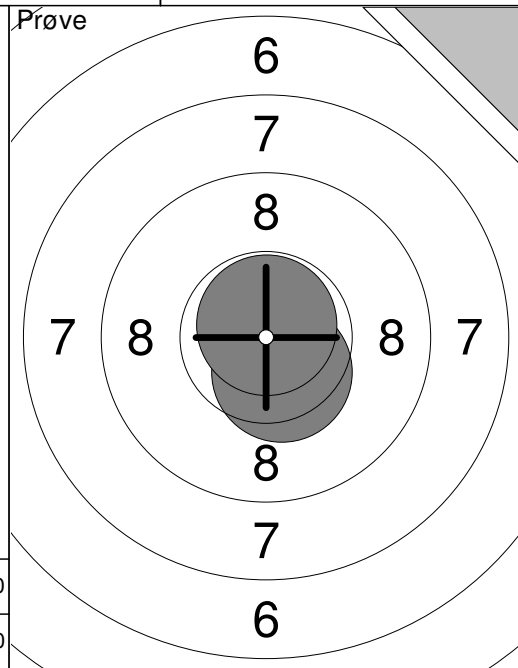
21:	*10.7	↑
22:	9.6	→
23:	*10.4	↘
24:	*10.8	↗
25:	*10.7	←
26:	*10.5	←
27:	*10.3	→
28:	*10.2	↑
29:	10.0	←
30:	9.9	↑
Serie		98.0
Total		293.0



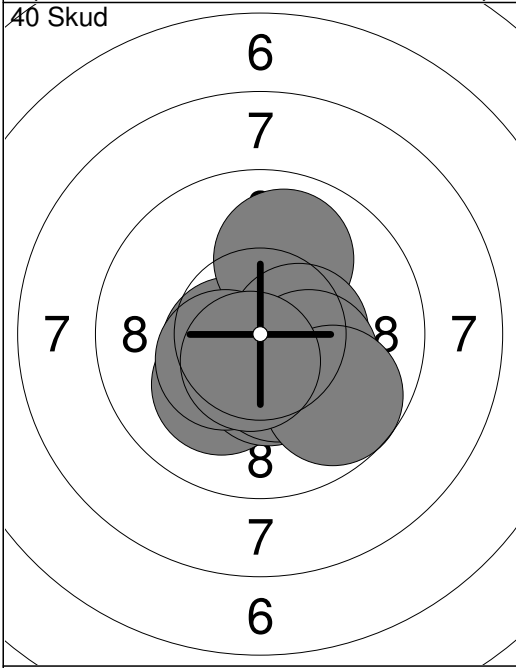
31:	*10.6	→
32:	*10.7	→
33:	*10.4	↘
34:	9.8	↘
35:	*10.2	↗
36:	9.8	←
37:	*10.5	→
38:	9.8	←
39:	10.0	←
40:	10.0	↗
Serie		97.0
Total		390.0



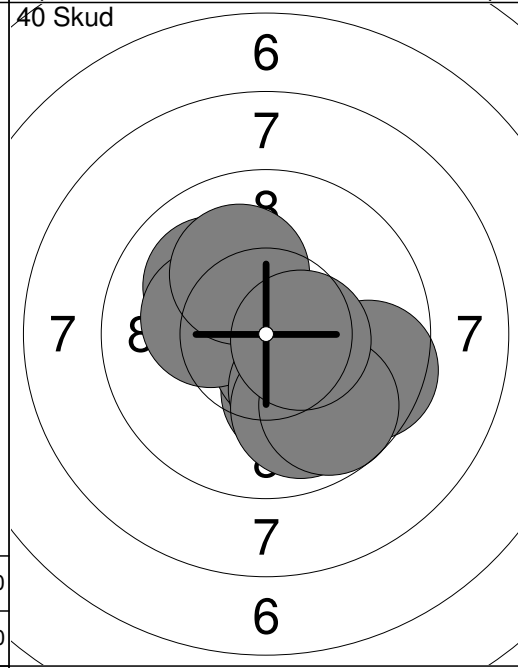
1:	9.9	↑
2:	9.7	↑
3:	10.0	→
4:	8.9	→
5:	*10.5	↓
6:	10.0	↗
7:	*10.7	↑
8:	10.1	↗
9:	9.9	→
10:	*10.2	→
Serie		95.0
Total		0.0



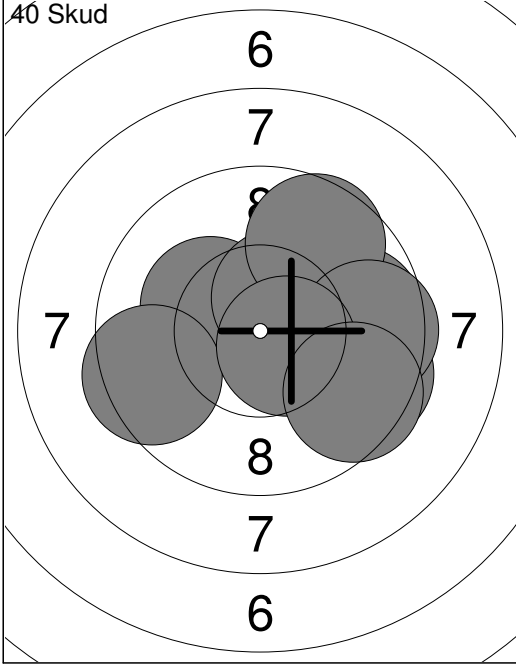
11:	*10.5	↓
12:	*10.8	↑
Serie		20.0
Total		0.0



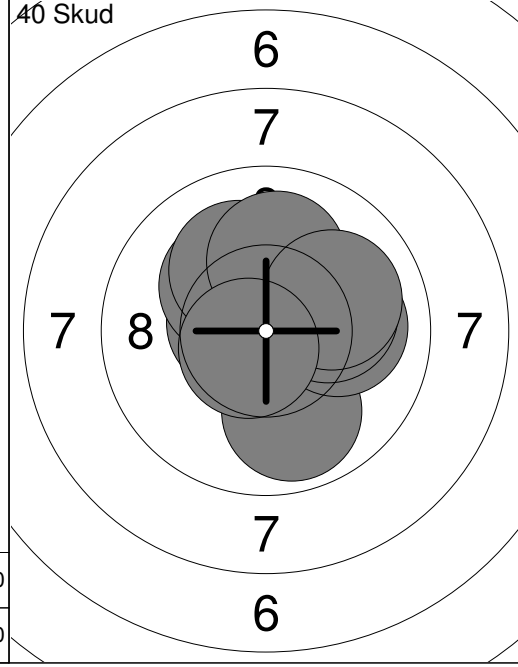
1:	10.1	↘
2:	*10.4	↓
3:	*10.4	↓
4:	*10.5	↙
5:	10.0	↑
6:	*10.4	↙
7:	*10.5	→
8:	*10.2	↘
9:	9.7	↘
10:	*10.6	↓
Serie		99.0
Total		99.0



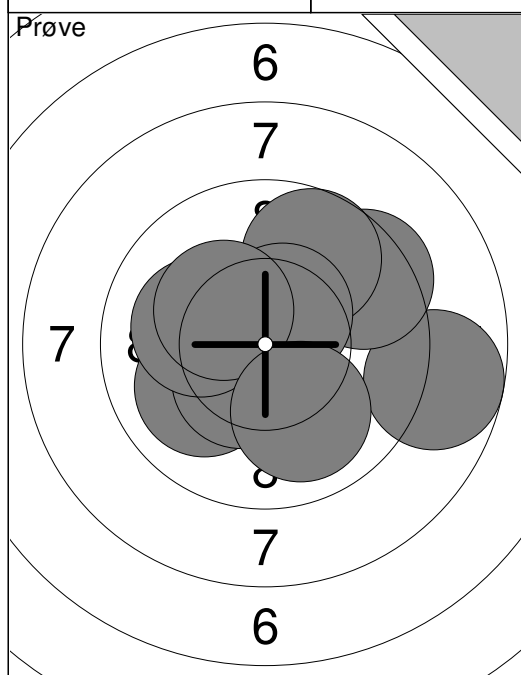
11:	10.0	↗
12:	*10.2	↓
13:	*10.6	↓
14:	*10.2	↙
15:	10.1	↑
16:	9.6	↘
17:	10.1	↓
18:	9.9	↓
19:	9.7	↓
20:	*10.5	→
Serie		97.0
Total		196.0



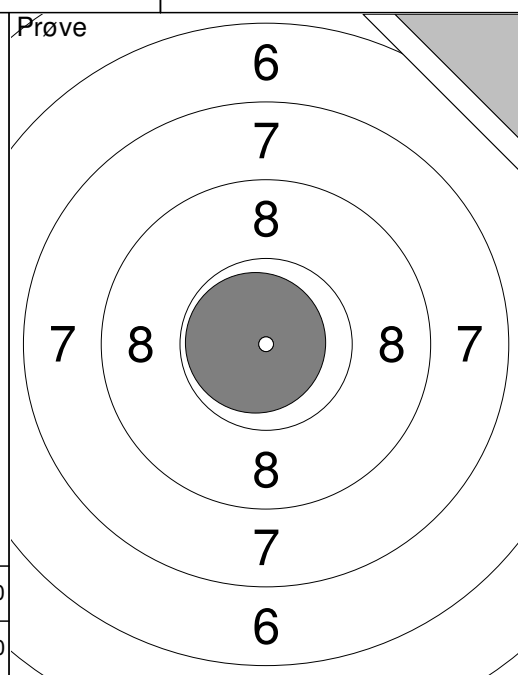
21:	9.7	→
22:	9.8	→
23:	*10.2	↙
24:	*10.4	↗
25:	9.6	↗
26:	9.5	↘
27:	9.6	→
28:	9.5	↙
29:	*10.6	↘
30:	9.5	↘
Serie		93.0
Total		289.0



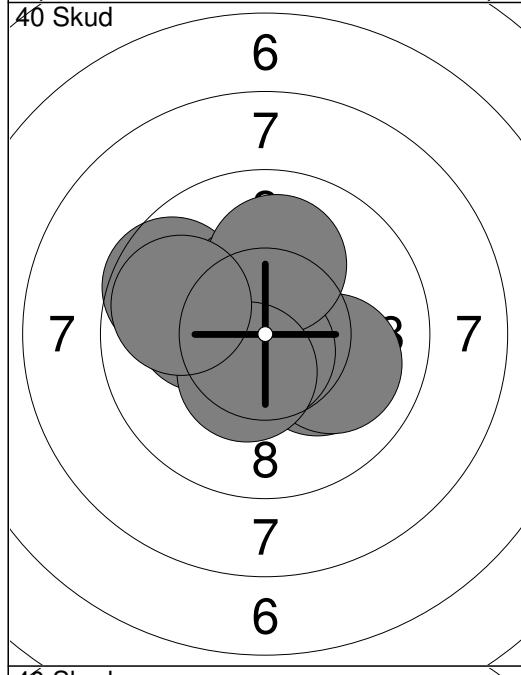
31:	9.9	↓
32:	*10.6	↙
33:	10.0	→
34:	*10.2	↑
35:	*10.2	↙
36:	10.1	↗
37:	10.1	→
38:	10.1	↑
39:	10.0	↗
40:	*10.6	↙
Serie		99.0
Total		388.0



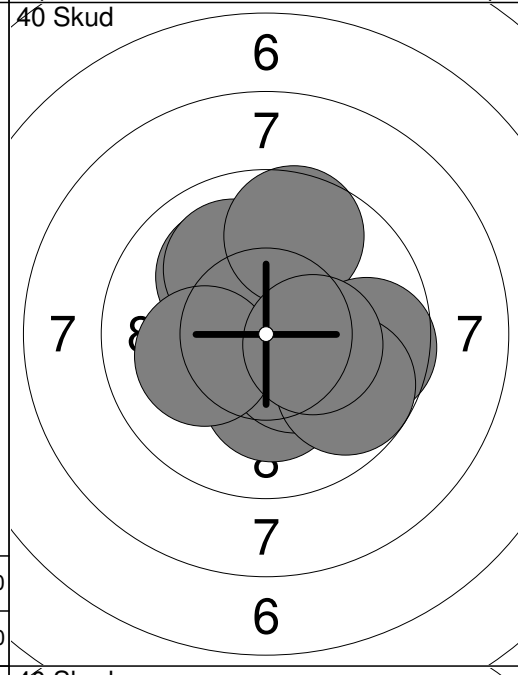
1:	8.8	→
2:	*10.7	←
3:	10.0	←
4:	*10.4	↓
5:	10.1	←
6:	9.4	→
7:	9.7	↑
8:	*10.5	↑
9:	*10.3	←
10:	10.0	↓
Serie		96.0
Total		0.0



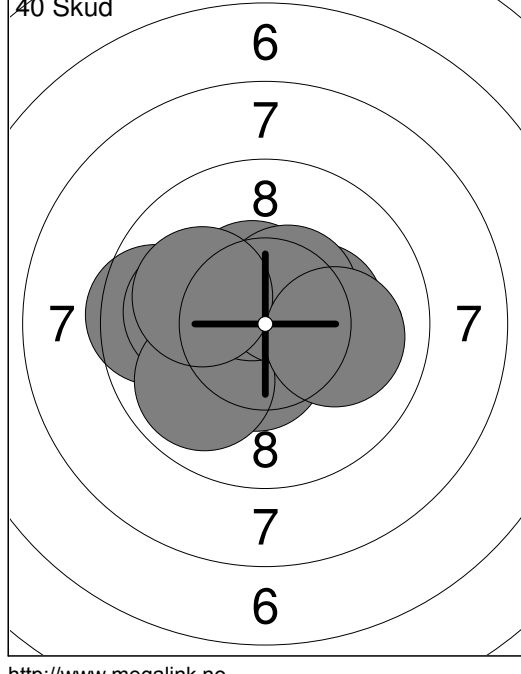
11:	*10.8	←
Serie		10.0
Total		0.0



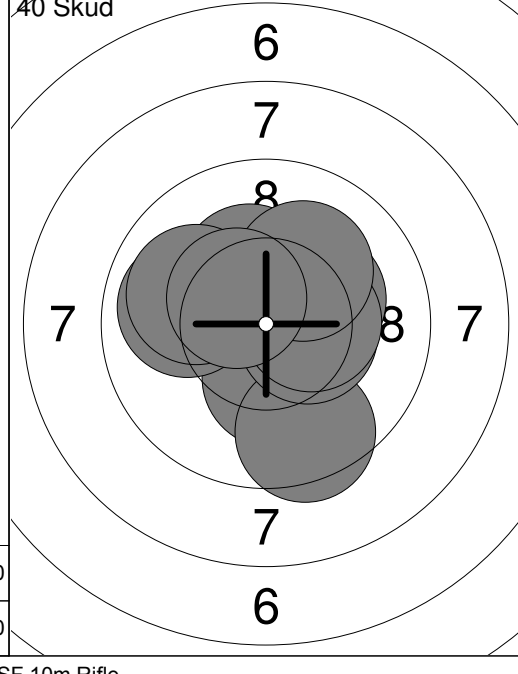
1:	*10.4	↑
2:	9.6	←
3:	*10.2	↓
4:	*10.4	↑
5:	10.0	→
6:	*10.7	↓
7:	*10.2	←
8:	10.0	↑
9:	*10.4	↓
10:	9.8	←
Serie		98.0
Total		98.0



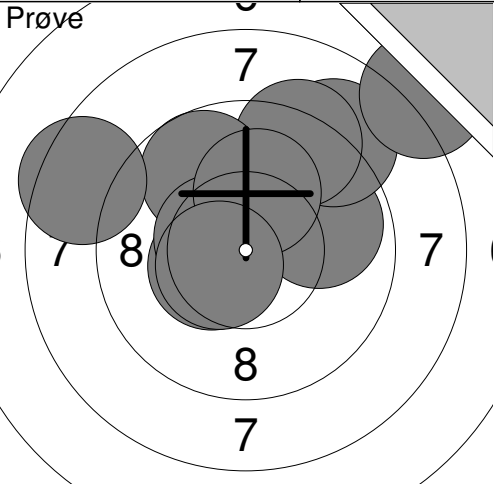
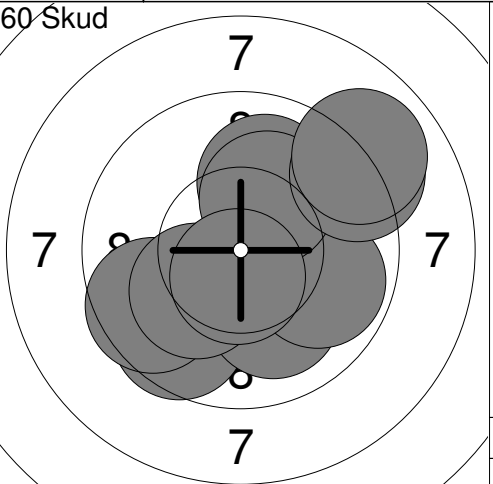
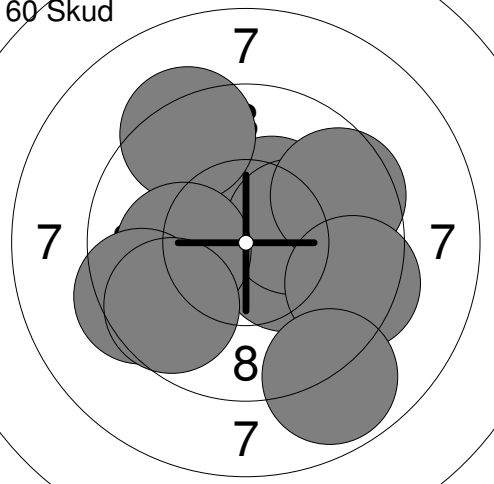
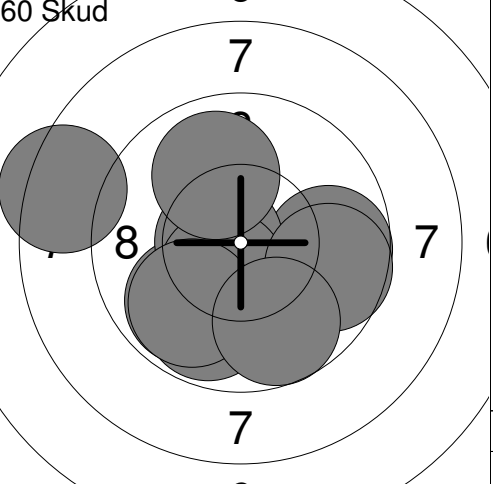
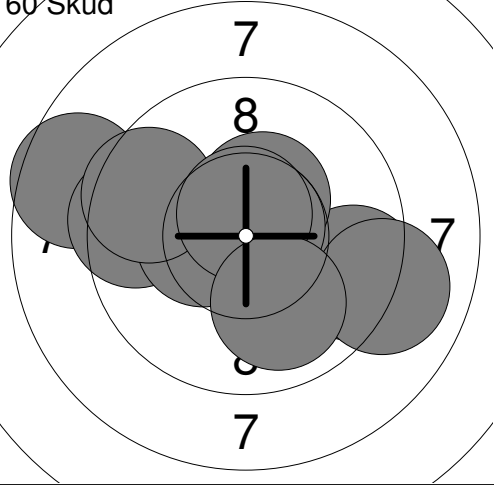
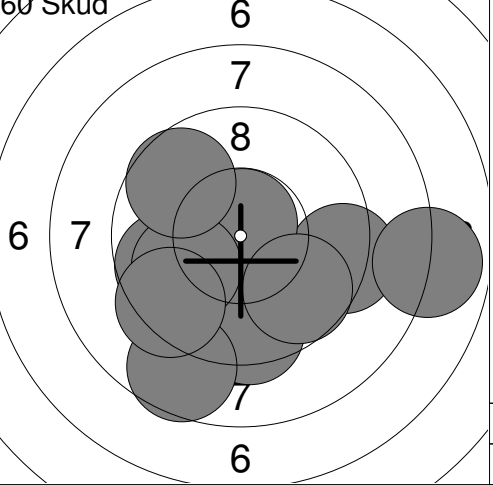
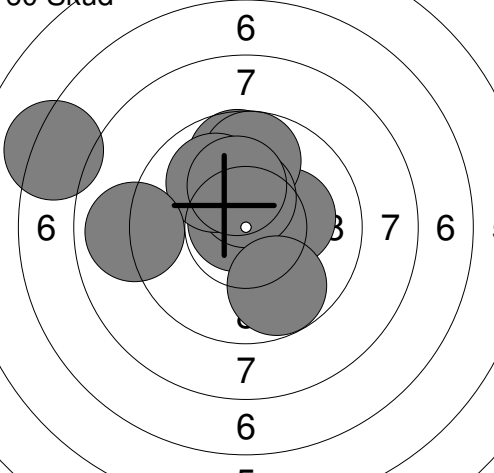
11:	*10.8	↑
12:	10.1	↑
13:	*10.2	↓
14:	*10.4	↓
15:	10.0	↑
16:	9.6	↑
17:	10.1	←
18:	9.6	→
19:	9.7	↓
20:	*10.3	→
Serie		97.0
Total		195.0

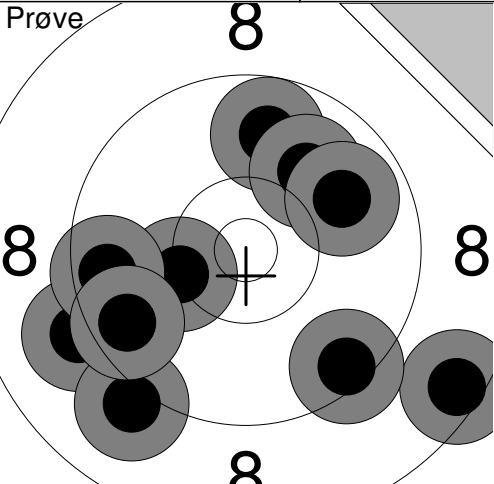
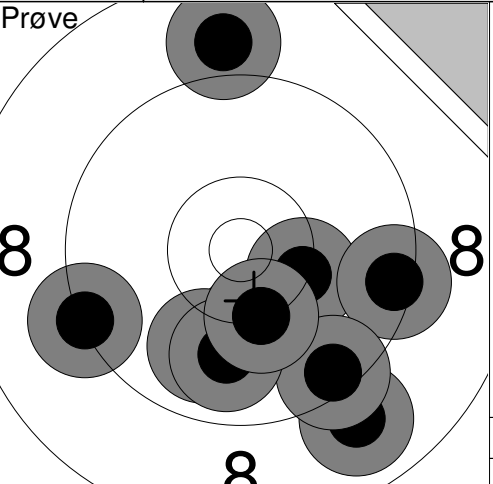
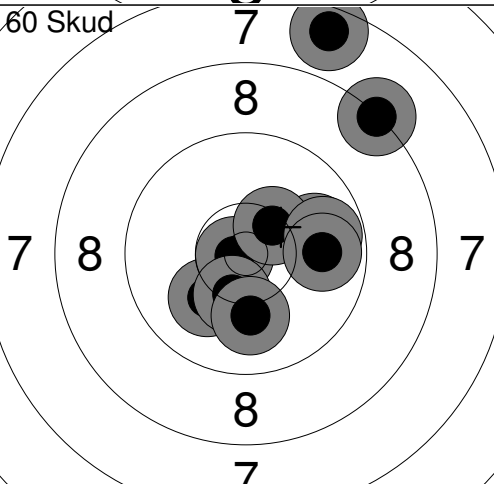
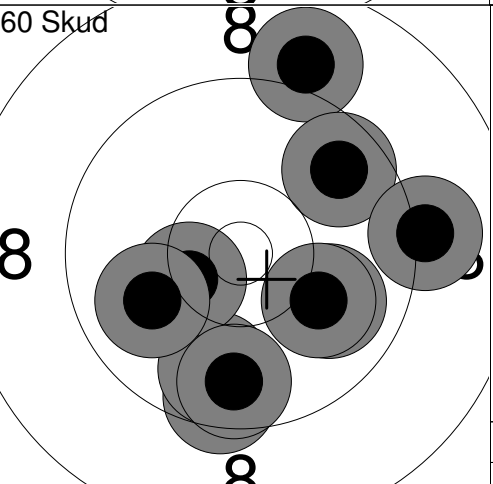
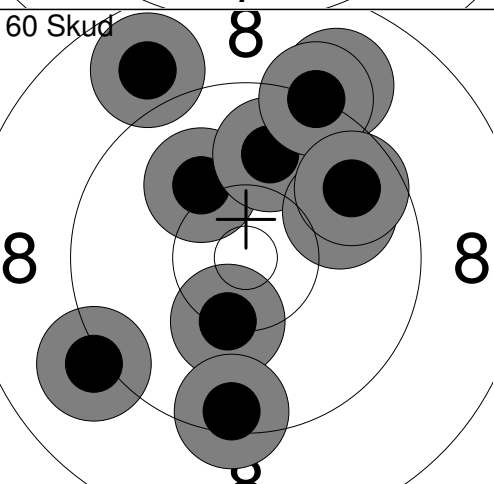
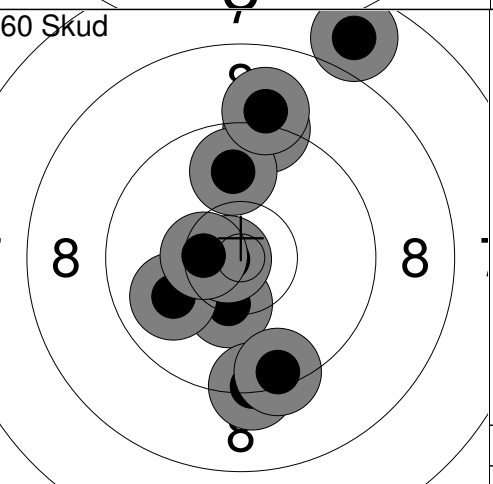
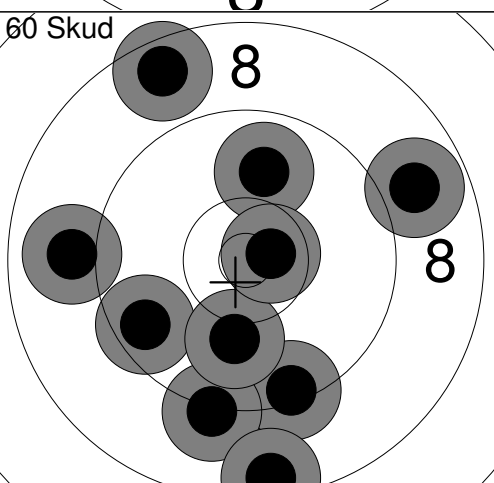
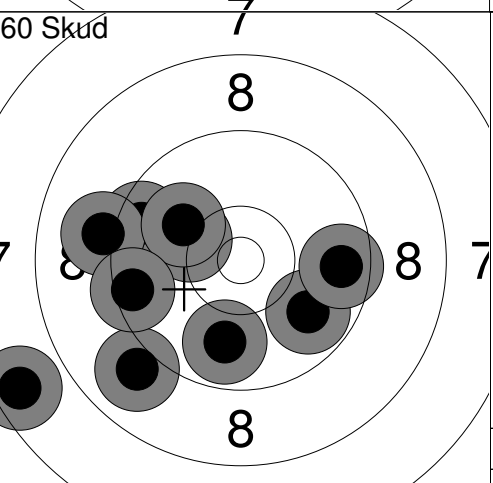


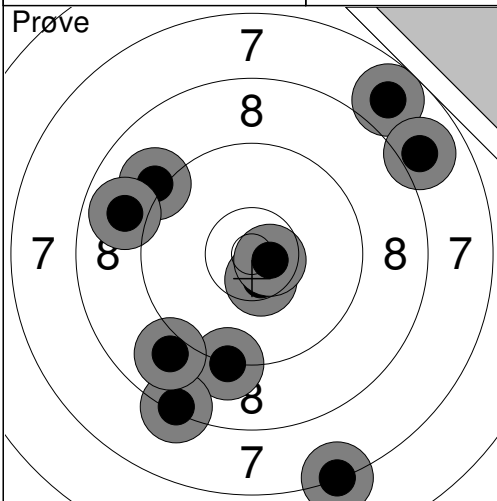
21:	9.5	←
22:	*10.5	←
23:	10.0	←
24:	*10.3	→
25:	*10.5	↓
26:	9.9	←
27:	*10.5	↑
28:	*10.5	↑
29:	10.1	←
30:	10.0	→
Serie		98.0
Total		293.0



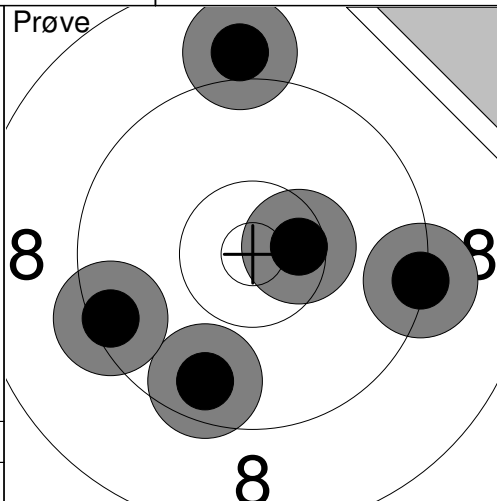
31:	*10.2	→
32:	*10.3	↑
33:	*10.3	↓
34:	9.5	↓
35:	*10.4	→
36:	9.9	←
37:	10.0	←
38:	*10.4	→
39:	10.1	↑
40:	*10.5	←
Serie		98.0
Total		391.0

<p>Prøve</p> 	<p>1: 9.9 →</p> <p>2: 9.0 ↗</p> <p>3: 9.3 ↗</p> <p>4: 7.6 ↗</p> <p>5: *10.4 ←</p> <p>6: 9.7 ↗</p> <p>7: *10.5 ←</p> <p>8: 10.1 ↑</p> <p>9: *10.5 ←</p> <p>10: 8.5 ←</p> <p>Serie 91.0</p> <p>Total 0.0</p>	<p>60 Skud</p>  <p>1: 10.0 ↗</p> <p>2: 9.6 ↘</p> <p>3: 10.0 ↘</p> <p>4: 9.9 →</p> <p>5: *10.2 ↗</p> <p>6: 9.6 ←</p> <p>7: 9.1 ↗</p> <p>8: 8.9 ↗</p> <p>9: *10.2 ↘</p> <p>10: *10.6 ↘</p> <p>Serie 94.0</p> <p>Total 94.0</p>
<p>60 Skud</p> 	<p>11: *10.3 ↗</p> <p>12: 9.3 ↗</p> <p>13: *10.3 ↘</p> <p>14: *10.3 →</p> <p>15: 10.1 ←</p> <p>16: 9.6 →</p> <p>17: 9.4 ←</p> <p>18: 9.4 →</p> <p>19: 8.9 ↘</p> <p>20: 9.7 ↘</p> <p>Serie 93.0</p> <p>Total 187.0</p>	<p>60 Skud</p>  <p>21: 9.7 →</p> <p>22: 9.9 ↘</p> <p>23: 9.8 ↘</p> <p>24: *10.6 ←</p> <p>25: *10.4 ↘</p> <p>26: 9.9 ↗</p> <p>27: 8.3 ←</p> <p>28: 9.7 →</p> <p>29: 9.9 ↘</p> <p>30: 9.7 ↘</p> <p>Serie 91.0</p> <p>Total 278.0</p>
<p>60 Skud</p> 	<p>31: 8.6 ←</p> <p>32: 9.4 →</p> <p>33: *10.4 ↗</p> <p>34: 9.0 →</p> <p>35: *10.8 ↗</p> <p>36: 9.5 ←</p> <p>37: *10.4 ←</p> <p>38: 9.6 ←</p> <p>39: *10.7 ↑</p> <p>40: 10.0 ↘</p> <p>Serie 94.0</p> <p>Total 372.0</p>	<p>60 Skud</p>  <p>41: 9.3 →</p> <p>42: 7.9 →</p> <p>43: 9.4 ↘</p> <p>44: 8.6 ↘</p> <p>45: *10.8 ↑</p> <p>46: 9.7 ←</p> <p>47: 9.9 ←</p> <p>48: 9.7 ↘</p> <p>49: 9.7 ↗</p> <p>50: 9.4 ↘</p> <p>Serie 88.0</p> <p>Total 460.0</p>
<p>60 Skud</p> 	<p>51: *10.8 ↗</p> <p>52: 9.7 ↑</p> <p>53: *10.2 →</p> <p>54: 7.2 ←</p> <p>55: 9.7 ↑</p> <p>56: *10.4 ↑</p> <p>57: 10.0 ↗</p> <p>58: *10.2 ↑</p> <p>59: 8.9 ←</p> <p>60: 9.8 ↘</p> <p>Serie 92.0</p> <p>Total 552.0</p>	

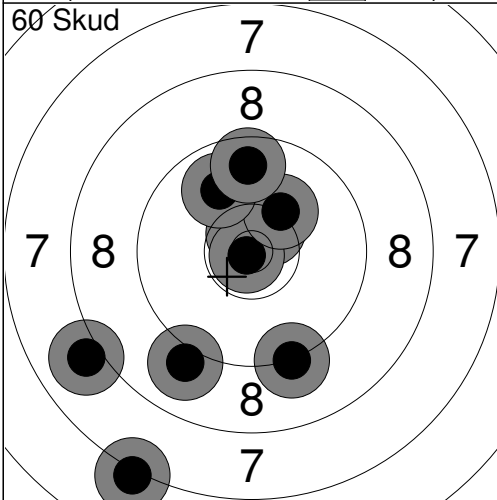
 <p>Prøve</p>	<table border="1" style="width:100%; border-collapse: collapse;"> <tr><td>1:</td><td>9.1</td><td>↖</td></tr> <tr><td>2:</td><td>9.1</td><td>↘</td></tr> <tr><td>3:</td><td>9.8</td><td>↗</td></tr> <tr><td>4:</td><td>10.3</td><td>↖</td></tr> <tr><td>5:</td><td>9.6</td><td>↖</td></tr> <tr><td>6:</td><td>9.6</td><td>↖</td></tr> <tr><td>7:</td><td>8.5</td><td>↘</td></tr> <tr><td>8:</td><td>10.0</td><td>↗</td></tr> <tr><td>9:</td><td>9.4</td><td>↘</td></tr> <tr><td>10:</td><td>9.9</td><td>↗</td></tr> <tr><td colspan="2">Serie</td><td>91.0</td></tr> <tr><td colspan="2">Total</td><td>0.0</td></tr> </table>	1:	9.1	↖	2:	9.1	↘	3:	9.8	↗	4:	10.3	↖	5:	9.6	↖	6:	9.6	↖	7:	8.5	↘	8:	10.0	↗	9:	9.4	↘	10:	9.9	↗	Serie		91.0	Total		0.0	 <p>Prøve</p>	<table border="1" style="width:100%; border-collapse: collapse;"> <tr><td>11:</td><td>8.9</td><td>↘</td></tr> <tr><td>12:</td><td>10.1</td><td>↘</td></tr> <tr><td>13:</td><td>10.3</td><td>↗</td></tr> <tr><td>14:</td><td>9.9</td><td>↘</td></tr> <tr><td>15:</td><td>9.4</td><td>↗</td></tr> <tr><td>16:</td><td>9.3</td><td>↖</td></tr> <tr><td>17:</td><td>9.4</td><td>↘</td></tr> <tr><td>18:</td><td>8.9</td><td>↗</td></tr> <tr><td>19:</td><td>9.9</td><td>↘</td></tr> <tr><td>20:</td><td>10.3</td><td>↘</td></tr> <tr><td colspan="2">Serie</td><td>91.0</td></tr> <tr><td colspan="2">Total</td><td>0.0</td></tr> </table>	11:	8.9	↘	12:	10.1	↘	13:	10.3	↗	14:	9.9	↘	15:	9.4	↗	16:	9.3	↖	17:	9.4	↘	18:	8.9	↗	19:	9.9	↘	20:	10.3	↘	Serie		91.0	Total		0.0
1:	9.1	↖																																																																									
2:	9.1	↘																																																																									
3:	9.8	↗																																																																									
4:	10.3	↖																																																																									
5:	9.6	↖																																																																									
6:	9.6	↖																																																																									
7:	8.5	↘																																																																									
8:	10.0	↗																																																																									
9:	9.4	↘																																																																									
10:	9.9	↗																																																																									
Serie		91.0																																																																									
Total		0.0																																																																									
11:	8.9	↘																																																																									
12:	10.1	↘																																																																									
13:	10.3	↗																																																																									
14:	9.9	↘																																																																									
15:	9.4	↗																																																																									
16:	9.3	↖																																																																									
17:	9.4	↘																																																																									
18:	8.9	↗																																																																									
19:	9.9	↘																																																																									
20:	10.3	↘																																																																									
Serie		91.0																																																																									
Total		0.0																																																																									
 <p>60 Skud</p>	<table border="1" style="width:100%; border-collapse: collapse;"> <tr><td>1:</td><td>10.1</td><td>↘</td></tr> <tr><td>2:</td><td>9.9</td><td>→</td></tr> <tr><td>3:</td><td>7.6</td><td>↗</td></tr> <tr><td>4:</td><td>*10.8</td><td>↖</td></tr> <tr><td>5:</td><td>10.3</td><td>↘</td></tr> <tr><td>6:</td><td>8.3</td><td>↗</td></tr> <tr><td>7:</td><td>*10.4</td><td>↗</td></tr> <tr><td>8:</td><td>9.8</td><td>→</td></tr> <tr><td>9:</td><td>10.1</td><td>↘</td></tr> <tr><td>10:</td><td>9.9</td><td>→</td></tr> <tr><td colspan="2">Serie</td><td>92.0</td></tr> <tr><td colspan="2">Total</td><td>92.0</td></tr> </table>	1:	10.1	↘	2:	9.9	→	3:	7.6	↗	4:	*10.8	↖	5:	10.3	↘	6:	8.3	↗	7:	*10.4	↗	8:	9.8	→	9:	10.1	↘	10:	9.9	→	Serie		92.0	Total		92.0	 <p>60 Skud</p>	<table border="1" style="width:100%; border-collapse: collapse;"> <tr><td>11:</td><td>9.0</td><td>↗</td></tr> <tr><td>12:</td><td>9.5</td><td>↘</td></tr> <tr><td>13:</td><td>9.8</td><td>↘</td></tr> <tr><td>14:</td><td>10.0</td><td>↘</td></tr> <tr><td>15:</td><td>*10.4</td><td>↖</td></tr> <tr><td>16:</td><td>9.7</td><td>↗</td></tr> <tr><td>17:</td><td>9.1</td><td>→</td></tr> <tr><td>18:</td><td>10.1</td><td>↘</td></tr> <tr><td>19:</td><td>10.0</td><td>↖</td></tr> <tr><td>20:</td><td>9.7</td><td>↘</td></tr> <tr><td colspan="2">Serie</td><td>94.0</td></tr> <tr><td colspan="2">Total</td><td>186.0</td></tr> </table>	11:	9.0	↗	12:	9.5	↘	13:	9.8	↘	14:	10.0	↘	15:	*10.4	↖	16:	9.7	↗	17:	9.1	→	18:	10.1	↘	19:	10.0	↖	20:	9.7	↘	Serie		94.0	Total		186.0
1:	10.1	↘																																																																									
2:	9.9	→																																																																									
3:	7.6	↗																																																																									
4:	*10.8	↖																																																																									
5:	10.3	↘																																																																									
6:	8.3	↗																																																																									
7:	*10.4	↗																																																																									
8:	9.8	→																																																																									
9:	10.1	↘																																																																									
10:	9.9	→																																																																									
Serie		92.0																																																																									
Total		92.0																																																																									
11:	9.0	↗																																																																									
12:	9.5	↘																																																																									
13:	9.8	↘																																																																									
14:	10.0	↘																																																																									
15:	*10.4	↖																																																																									
16:	9.7	↗																																																																									
17:	9.1	→																																																																									
18:	10.1	↘																																																																									
19:	10.0	↖																																																																									
20:	9.7	↘																																																																									
Serie		94.0																																																																									
Total		186.0																																																																									
 <p>60 Skud</p>	<table border="1" style="width:100%; border-collapse: collapse;"> <tr><td>21:</td><td>10.1</td><td>↗</td></tr> <tr><td>22:</td><td>9.0</td><td>↗</td></tr> <tr><td>23:</td><td>10.3</td><td>↘</td></tr> <tr><td>24:</td><td>9.4</td><td>↘</td></tr> <tr><td>25:</td><td>9.9</td><td>↗</td></tr> <tr><td>26:</td><td>9.1</td><td>↖</td></tr> <tr><td>27:</td><td>8.9</td><td>↗</td></tr> <tr><td>28:</td><td>9.9</td><td>↗</td></tr> <tr><td>29:</td><td>9.2</td><td>↗</td></tr> <tr><td>30:</td><td>9.7</td><td>↗</td></tr> <tr><td colspan="2">Serie</td><td>91.0</td></tr> <tr><td colspan="2">Total</td><td>277.0</td></tr> </table>	21:	10.1	↗	22:	9.0	↗	23:	10.3	↘	24:	9.4	↘	25:	9.9	↗	26:	9.1	↖	27:	8.9	↗	28:	9.9	↗	29:	9.2	↗	30:	9.7	↗	Serie		91.0	Total		277.0	 <p>60 Skud</p>	<table border="1" style="width:100%; border-collapse: collapse;"> <tr><td>31:</td><td>10.3</td><td>↘</td></tr> <tr><td>32:</td><td>9.3</td><td>↗</td></tr> <tr><td>33:</td><td>10.0</td><td>↖</td></tr> <tr><td>34:</td><td>9.8</td><td>↗</td></tr> <tr><td>35:</td><td>*10.8</td><td>↖</td></tr> <tr><td>36:</td><td>9.1</td><td>↗</td></tr> <tr><td>37:</td><td>7.8</td><td>↗</td></tr> <tr><td>38:</td><td>9.3</td><td>↘</td></tr> <tr><td>39:</td><td>*10.5</td><td>↖</td></tr> <tr><td>40:</td><td>9.4</td><td>↘</td></tr> <tr><td colspan="2">Serie</td><td>92.0</td></tr> <tr><td colspan="2">Total</td><td>369.0</td></tr> </table>	31:	10.3	↘	32:	9.3	↗	33:	10.0	↖	34:	9.8	↗	35:	*10.8	↖	36:	9.1	↗	37:	7.8	↗	38:	9.3	↘	39:	*10.5	↖	40:	9.4	↘	Serie		92.0	Total		369.0
21:	10.1	↗																																																																									
22:	9.0	↗																																																																									
23:	10.3	↘																																																																									
24:	9.4	↘																																																																									
25:	9.9	↗																																																																									
26:	9.1	↖																																																																									
27:	8.9	↗																																																																									
28:	9.9	↗																																																																									
29:	9.2	↗																																																																									
30:	9.7	↗																																																																									
Serie		91.0																																																																									
Total		277.0																																																																									
31:	10.3	↘																																																																									
32:	9.3	↗																																																																									
33:	10.0	↖																																																																									
34:	9.8	↗																																																																									
35:	*10.8	↖																																																																									
36:	9.1	↗																																																																									
37:	7.8	↗																																																																									
38:	9.3	↘																																																																									
39:	*10.5	↖																																																																									
40:	9.4	↘																																																																									
Serie		92.0																																																																									
Total		369.0																																																																									
 <p>60 Skud</p>	<table border="1" style="width:100%; border-collapse: collapse;"> <tr><td>41:</td><td>9.6</td><td>↖</td></tr> <tr><td>42:</td><td>8.8</td><td>→</td></tr> <tr><td>43:</td><td>8.6</td><td>↗</td></tr> <tr><td>44:</td><td>9.4</td><td>↘</td></tr> <tr><td>45:</td><td>9.0</td><td>↖</td></tr> <tr><td>46:</td><td>9.2</td><td>↘</td></tr> <tr><td>47:</td><td>10.0</td><td>↘</td></tr> <tr><td>48:</td><td>9.9</td><td>↗</td></tr> <tr><td>49:</td><td>*10.7</td><td>→</td></tr> <tr><td>50:</td><td>8.4</td><td>↘</td></tr> <tr><td colspan="2">Serie</td><td>89.0</td></tr> <tr><td colspan="2">Total</td><td>458.0</td></tr> </table>	41:	9.6	↖	42:	8.8	→	43:	8.6	↗	44:	9.4	↘	45:	9.0	↖	46:	9.2	↘	47:	10.0	↘	48:	9.9	↗	49:	*10.7	→	50:	8.4	↘	Serie		89.0	Total		458.0	 <p>60 Skud</p>	<table border="1" style="width:100%; border-collapse: collapse;"> <tr><td>51:</td><td>7.6</td><td>↖</td></tr> <tr><td>52:</td><td>10.2</td><td>↖</td></tr> <tr><td>53:</td><td>9.8</td><td>↘</td></tr> <tr><td>54:</td><td>9.0</td><td>↖</td></tr> <tr><td>55:</td><td>9.8</td><td>↘</td></tr> <tr><td>56:</td><td>9.6</td><td>→</td></tr> <tr><td>57:</td><td>9.6</td><td>↖</td></tr> <tr><td>58:</td><td>9.1</td><td>↖</td></tr> <tr><td>59:</td><td>10.1</td><td>↗</td></tr> <tr><td>60:</td><td>9.5</td><td>↖</td></tr> <tr><td colspan="2">Serie</td><td>90.0</td></tr> <tr><td colspan="2">Total</td><td>548.0</td></tr> </table>	51:	7.6	↖	52:	10.2	↖	53:	9.8	↘	54:	9.0	↖	55:	9.8	↘	56:	9.6	→	57:	9.6	↖	58:	9.1	↖	59:	10.1	↗	60:	9.5	↖	Serie		90.0	Total		548.0
41:	9.6	↖																																																																									
42:	8.8	→																																																																									
43:	8.6	↗																																																																									
44:	9.4	↘																																																																									
45:	9.0	↖																																																																									
46:	9.2	↘																																																																									
47:	10.0	↘																																																																									
48:	9.9	↗																																																																									
49:	*10.7	→																																																																									
50:	8.4	↘																																																																									
Serie		89.0																																																																									
Total		458.0																																																																									
51:	7.6	↖																																																																									
52:	10.2	↖																																																																									
53:	9.8	↘																																																																									
54:	9.0	↖																																																																									
55:	9.8	↘																																																																									
56:	9.6	→																																																																									
57:	9.6	↖																																																																									
58:	9.1	↖																																																																									
59:	10.1	↗																																																																									
60:	9.5	↖																																																																									
Serie		90.0																																																																									
Total		548.0																																																																									



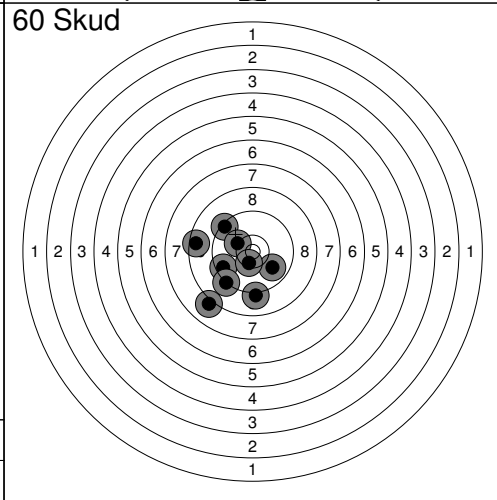
1:	7.3	↓
2:	9.2	↓
3:	9.1	↗
4:	8.9	←
5:	7.8	↗
6:	*10.5	↓
7:	*10.7	→
8:	7.9	↗
9:	8.3	↓
10:	9.0	↓
Serie		84.0
Total		0.0



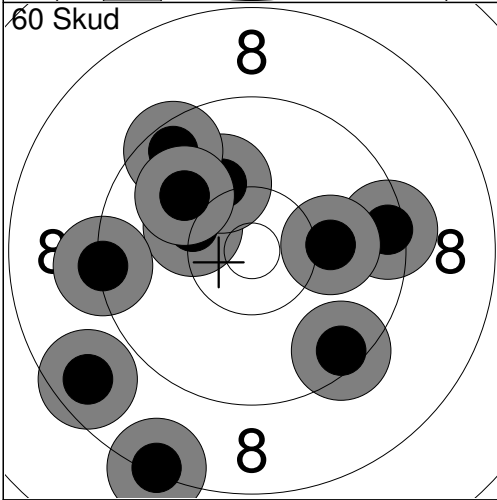
11:	9.0	↑
12:	9.6	↓
13:	9.3	→
14:	9.4	←
15:	*10.5	→
Serie		46.0
Total		0.0



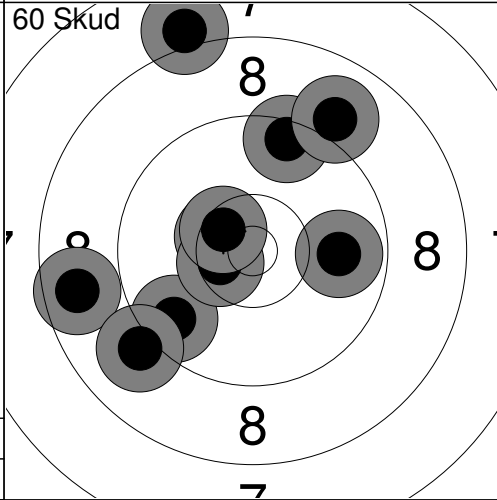
1:	9.2	↓
2:	*10.5	↗
3:	9.0	↓
4:	*10.6	↗
5:	7.2	↓
6:	*10.9	←
7:	10.2	↗
8:	9.9	↗
9:	9.7	↑
10:	8.0	←
Serie		91.0
Total		91.0



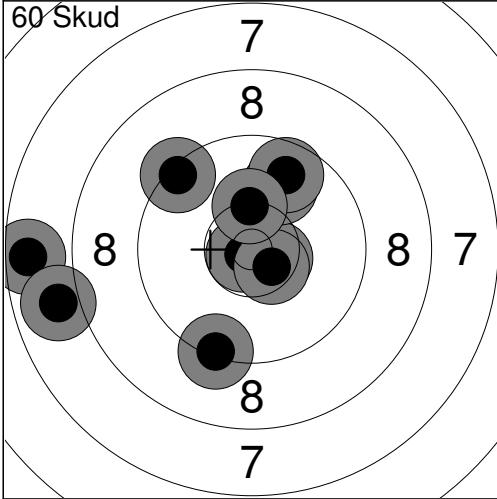
11:	8.0	↙
12:	9.9	↘
13:	9.5	←
14:	9.1	↓
15:	9.4	↗
16:	10.2	↖
17:	8.5	←
18:	*10.4	↓
19:	9.2	↙
20:	0.0	↑
Serie		81.0
Total		172.0



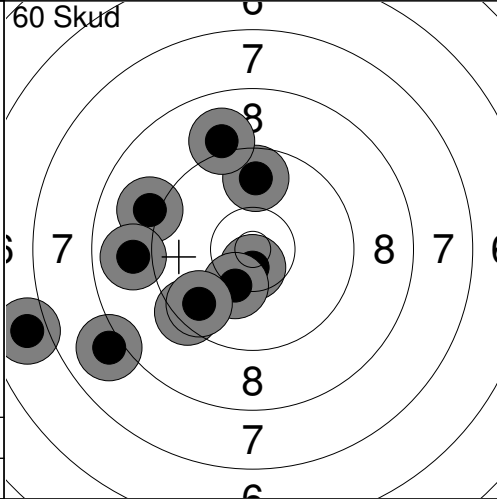
21:	10.2	↖
22:	8.3	↓
23:	9.3	←
24:	9.4	→
25:	9.5	↓
26:	10.1	↗
27:	10.1	→
28:	8.6	↙
29:	9.5	↗
30:	10.0	↗
Serie		92.0
Total		264.0



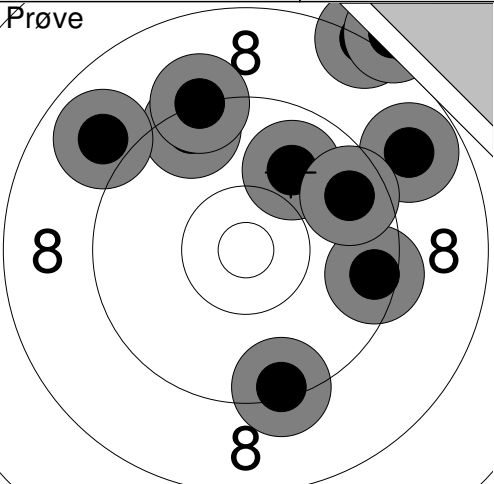
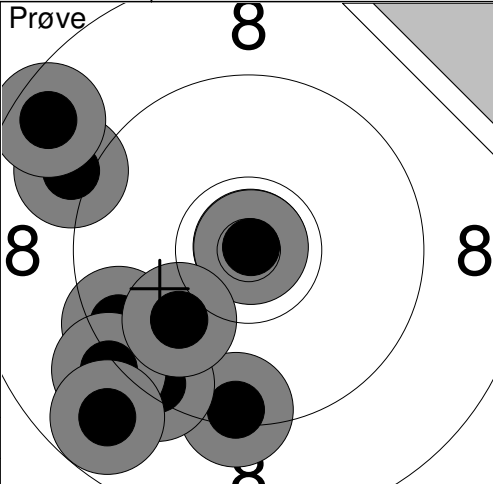
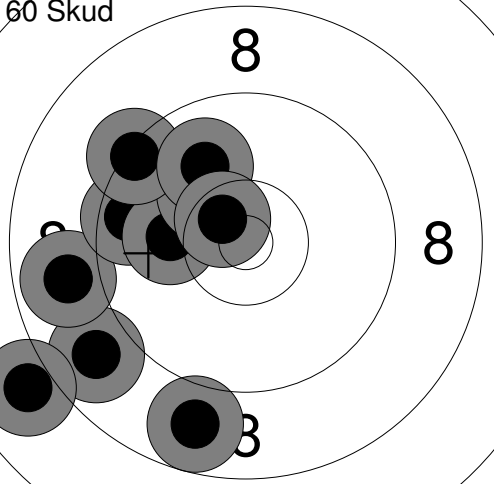
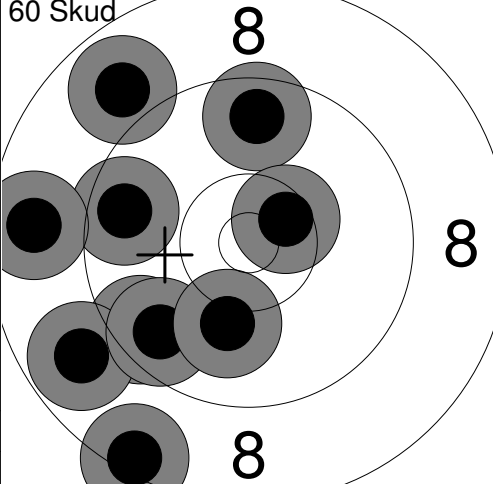
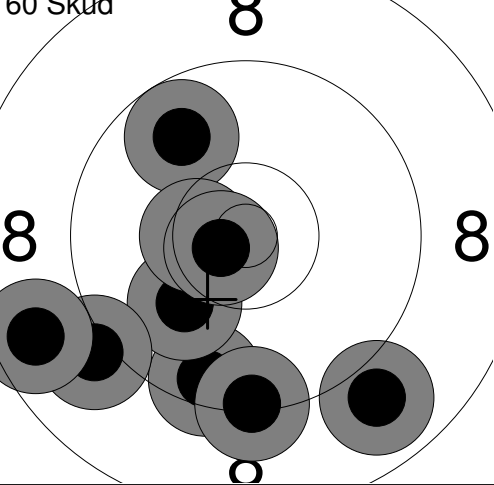
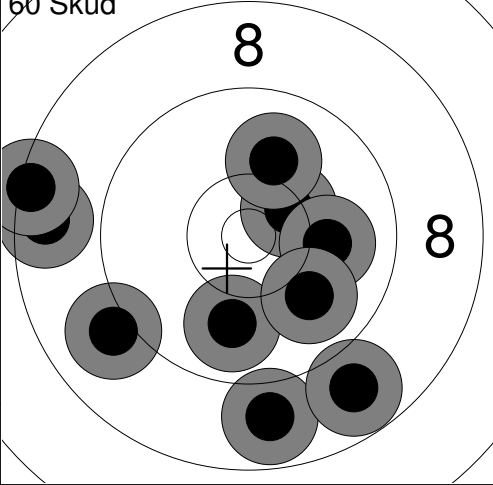
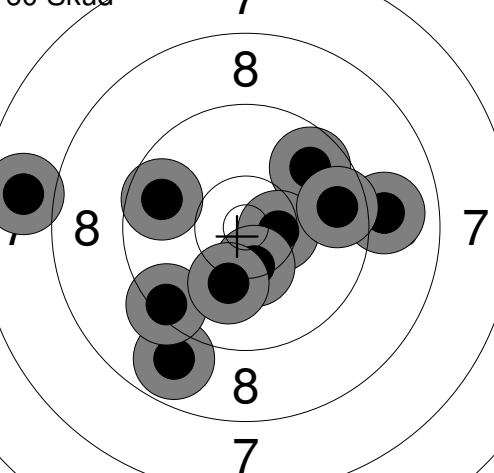
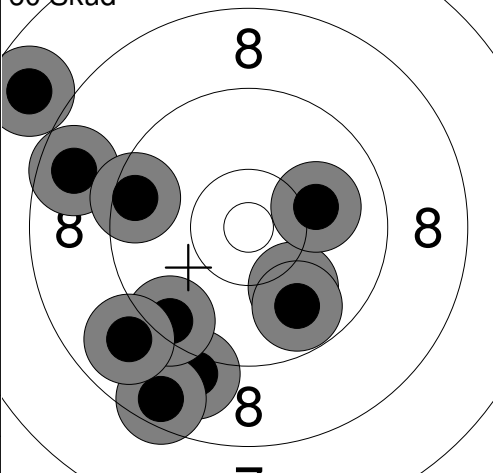
31:	*10.5	↖
32:	8.7	←
33:	9.5	↑
34:	9.0	↗
35:	9.6	↙
36:	*10.5	←
37:	*10.5	↖
38:	8.0	↑
39:	9.1	↙
40:	9.9	→
Serie		91.0
Total		355.0



41:	9.4	↗
42:	7.6	←
43:	*10.6	↘
44:	*10.8	↙
45:	*10.6	↘
46:	9.9	↗
47:	9.7	↗
48:	9.3	↓
49:	7.9	←
50:	10.3	↑
Serie		90.0
Total		445.0



51:	9.1	↖
52:	9.4	↙
53:	9.7	↑
54:	6.9	←
55:	*10.6	↓
56:	9.1	↑
57:	8.9	←
58:	8.0	↙
59:	10.3	↓
60:	9.7	↙
Serie		87.0
Total		532.0

 <p>Prøve</p>	<table border="1" style="width:100%; border-collapse: collapse;"> <tr><td>1:</td><td>9.5</td><td>→</td></tr> <tr><td>2:</td><td>9.5</td><td>↑</td></tr> <tr><td>3:</td><td>8.2</td><td>↑</td></tr> <tr><td>4:</td><td>8.8</td><td>→</td></tr> <tr><td>5:</td><td>9.2</td><td>↑</td></tr> <tr><td>6:</td><td>9.9</td><td>↑</td></tr> <tr><td>7:</td><td>8.0</td><td>↑</td></tr> <tr><td>8:</td><td>9.4</td><td>↓</td></tr> <tr><td>9:</td><td>8.9</td><td>↑</td></tr> <tr><td>10:</td><td>9.6</td><td>→</td></tr> <tr><td colspan="2">Serie</td><td>86.0</td></tr> <tr><td colspan="2">Total</td><td>0.0</td></tr> </table>	1:	9.5	→	2:	9.5	↑	3:	8.2	↑	4:	8.8	→	5:	9.2	↑	6:	9.9	↑	7:	8.0	↑	8:	9.4	↓	9:	8.9	↑	10:	9.6	→	Serie		86.0	Total		0.0	 <p>Prøve</p>	<table border="1" style="width:100%; border-collapse: collapse;"> <tr><td>11:</td><td>*10.9</td><td>↑</td></tr> <tr><td>12:</td><td>9.4</td><td>↓</td></tr> <tr><td>13:</td><td>9.0</td><td>←</td></tr> <tr><td>14:</td><td>9.5</td><td>↙</td></tr> <tr><td>15:</td><td>9.4</td><td>↓</td></tr> <tr><td>16:</td><td>*10.9</td><td>↑</td></tr> <tr><td>17:</td><td>8.6</td><td>↖</td></tr> <tr><td>18:</td><td>9.1</td><td>↙</td></tr> <tr><td>19:</td><td>10.0</td><td>↙</td></tr> <tr><td>20:</td><td>8.8</td><td>↙</td></tr> <tr><td colspan="2">Serie</td><td>91.0</td></tr> <tr><td colspan="2">Total</td><td>0.0</td></tr> </table>	11:	*10.9	↑	12:	9.4	↓	13:	9.0	←	14:	9.5	↙	15:	9.4	↓	16:	*10.9	↑	17:	8.6	↖	18:	9.1	↙	19:	10.0	↙	20:	8.8	↙	Serie		91.0	Total		0.0
1:	9.5	→																																																																									
2:	9.5	↑																																																																									
3:	8.2	↑																																																																									
4:	8.8	→																																																																									
5:	9.2	↑																																																																									
6:	9.9	↑																																																																									
7:	8.0	↑																																																																									
8:	9.4	↓																																																																									
9:	8.9	↑																																																																									
10:	9.6	→																																																																									
Serie		86.0																																																																									
Total		0.0																																																																									
11:	*10.9	↑																																																																									
12:	9.4	↓																																																																									
13:	9.0	←																																																																									
14:	9.5	↙																																																																									
15:	9.4	↓																																																																									
16:	*10.9	↑																																																																									
17:	8.6	↖																																																																									
18:	9.1	↙																																																																									
19:	10.0	↙																																																																									
20:	8.8	↙																																																																									
Serie		91.0																																																																									
Total		0.0																																																																									
 <p>60 Skud</p>	<table border="1" style="width:100%; border-collapse: collapse;"> <tr><td>1:</td><td>8.8</td><td>↙</td></tr> <tr><td>2:</td><td>7.9</td><td>↙</td></tr> <tr><td>3:</td><td>8.9</td><td>↙</td></tr> <tr><td>4:</td><td>9.6</td><td>↙</td></tr> <tr><td>5:</td><td>10.1</td><td>↙</td></tr> <tr><td>6:</td><td>10.2</td><td>↗</td></tr> <tr><td>7:</td><td>9.3</td><td>↗</td></tr> <tr><td>8:</td><td>10.0</td><td>↗</td></tr> <tr><td>9:</td><td>8.8</td><td>↓</td></tr> <tr><td>10:</td><td>*10.6</td><td>↗</td></tr> <tr><td colspan="2">Serie</td><td>89.0</td></tr> <tr><td colspan="2">Total</td><td>89.0</td></tr> </table>	1:	8.8	↙	2:	7.9	↙	3:	8.9	↙	4:	9.6	↙	5:	10.1	↙	6:	10.2	↗	7:	9.3	↗	8:	10.0	↗	9:	8.8	↓	10:	*10.6	↗	Serie		89.0	Total		89.0	 <p>60 Skud</p>	<table border="1" style="width:100%; border-collapse: collapse;"> <tr><td>11:</td><td>9.5</td><td>↙</td></tr> <tr><td>12:</td><td>8.8</td><td>↙</td></tr> <tr><td>13:</td><td>8.9</td><td>↗</td></tr> <tr><td>14:</td><td>9.6</td><td>↙</td></tr> <tr><td>15:</td><td>9.6</td><td>↙</td></tr> <tr><td>16:</td><td>9.6</td><td>↑</td></tr> <tr><td>17:</td><td>8.7</td><td>←</td></tr> <tr><td>18:</td><td>*10.5</td><td>↗</td></tr> <tr><td>19:</td><td>10.1</td><td>↓</td></tr> <tr><td>20:</td><td>8.4</td><td>↙</td></tr> <tr><td colspan="2">Serie</td><td>88.0</td></tr> <tr><td colspan="2">Total</td><td>177.0</td></tr> </table>	11:	9.5	↙	12:	8.8	↙	13:	8.9	↗	14:	9.6	↙	15:	9.6	↙	16:	9.6	↑	17:	8.7	←	18:	*10.5	↗	19:	10.1	↓	20:	8.4	↙	Serie		88.0	Total		177.0
1:	8.8	↙																																																																									
2:	7.9	↙																																																																									
3:	8.9	↙																																																																									
4:	9.6	↙																																																																									
5:	10.1	↙																																																																									
6:	10.2	↗																																																																									
7:	9.3	↗																																																																									
8:	10.0	↗																																																																									
9:	8.8	↓																																																																									
10:	*10.6	↗																																																																									
Serie		89.0																																																																									
Total		89.0																																																																									
11:	9.5	↙																																																																									
12:	8.8	↙																																																																									
13:	8.9	↗																																																																									
14:	9.6	↙																																																																									
15:	9.6	↙																																																																									
16:	9.6	↑																																																																									
17:	8.7	←																																																																									
18:	*10.5	↗																																																																									
19:	10.1	↓																																																																									
20:	8.4	↙																																																																									
Serie		88.0																																																																									
Total		177.0																																																																									
 <p>60 Skud</p>	<table border="1" style="width:100%; border-collapse: collapse;"> <tr><td>21:</td><td>9.8</td><td>↗</td></tr> <tr><td>22:</td><td>8.9</td><td>↓</td></tr> <tr><td>23:</td><td>*10.5</td><td>←</td></tr> <tr><td>24:</td><td>9.5</td><td>↓</td></tr> <tr><td>25:</td><td>10.1</td><td>↓</td></tr> <tr><td>26:</td><td>9.1</td><td>↙</td></tr> <tr><td>27:</td><td>9.3</td><td>↓</td></tr> <tr><td>28:</td><td>*10.5</td><td>←</td></tr> <tr><td>29:</td><td>8.7</td><td>↙</td></tr> <tr><td>30:</td><td>*10.7</td><td>←</td></tr> <tr><td colspan="2">Serie</td><td>92.0</td></tr> <tr><td colspan="2">Total</td><td>269.0</td></tr> </table>	21:	9.8	↗	22:	8.9	↓	23:	*10.5	←	24:	9.5	↓	25:	10.1	↓	26:	9.1	↙	27:	9.3	↓	28:	*10.5	←	29:	8.7	↙	30:	*10.7	←	Serie		92.0	Total		269.0	 <p>60 Skud</p>	<table border="1" style="width:100%; border-collapse: collapse;"> <tr><td>31:</td><td>9.9</td><td>↓</td></tr> <tr><td>32:</td><td>*10.4</td><td>↗</td></tr> <tr><td>33:</td><td>8.8</td><td>↓</td></tr> <tr><td>34:</td><td>8.6</td><td>←</td></tr> <tr><td>35:</td><td>9.0</td><td>↙</td></tr> <tr><td>36:</td><td>10.0</td><td>↑</td></tr> <tr><td>37:</td><td>8.8</td><td>↓</td></tr> <tr><td>38:</td><td>10.0</td><td>→</td></tr> <tr><td>39:</td><td>10.0</td><td>↓</td></tr> <tr><td>40:</td><td>8.4</td><td>←</td></tr> <tr><td colspan="2">Serie</td><td>90.0</td></tr> <tr><td colspan="2">Total</td><td>359.0</td></tr> </table>	31:	9.9	↓	32:	*10.4	↗	33:	8.8	↓	34:	8.6	←	35:	9.0	↙	36:	10.0	↑	37:	8.8	↓	38:	10.0	→	39:	10.0	↓	40:	8.4	←	Serie		90.0	Total		359.0
21:	9.8	↗																																																																									
22:	8.9	↓																																																																									
23:	*10.5	←																																																																									
24:	9.5	↓																																																																									
25:	10.1	↓																																																																									
26:	9.1	↙																																																																									
27:	9.3	↓																																																																									
28:	*10.5	←																																																																									
29:	8.7	↙																																																																									
30:	*10.7	←																																																																									
Serie		92.0																																																																									
Total		269.0																																																																									
31:	9.9	↓																																																																									
32:	*10.4	↗																																																																									
33:	8.8	↓																																																																									
34:	8.6	←																																																																									
35:	9.0	↙																																																																									
36:	10.0	↑																																																																									
37:	8.8	↓																																																																									
38:	10.0	→																																																																									
39:	10.0	↓																																																																									
40:	8.4	←																																																																									
Serie		90.0																																																																									
Total		359.0																																																																									
 <p>60 Skud</p>	<table border="1" style="width:100%; border-collapse: collapse;"> <tr><td>41:</td><td>9.7</td><td>↗</td></tr> <tr><td>42:</td><td>*10.5</td><td>→</td></tr> <tr><td>43:</td><td>8.9</td><td>↓</td></tr> <tr><td>44:</td><td>7.8</td><td>←</td></tr> <tr><td>45:</td><td>*10.4</td><td>↓</td></tr> <tr><td>46:</td><td>9.7</td><td>↖</td></tr> <tr><td>47:</td><td>9.0</td><td>→</td></tr> <tr><td>48:</td><td>9.4</td><td>↙</td></tr> <tr><td>49:</td><td>9.6</td><td>→</td></tr> <tr><td>50:</td><td>10.1</td><td>↓</td></tr> <tr><td colspan="2">Serie</td><td>90.0</td></tr> <tr><td colspan="2">Total</td><td>449.0</td></tr> </table>	41:	9.7	↗	42:	*10.5	→	43:	8.9	↓	44:	7.8	←	45:	*10.4	↓	46:	9.7	↖	47:	9.0	→	48:	9.4	↙	49:	9.6	→	50:	10.1	↓	Serie		90.0	Total		449.0	 <p>60 Skud</p>	<table border="1" style="width:100%; border-collapse: collapse;"> <tr><td>51:</td><td>8.7</td><td>←</td></tr> <tr><td>52:</td><td>9.0</td><td>↓</td></tr> <tr><td>53:</td><td>10.0</td><td>↓</td></tr> <tr><td>54:</td><td>9.8</td><td>↓</td></tr> <tr><td>55:</td><td>8.6</td><td>↓</td></tr> <tr><td>56:</td><td>9.4</td><td>↙</td></tr> <tr><td>57:</td><td>7.7</td><td>↖</td></tr> <tr><td>58:</td><td>10.1</td><td>→</td></tr> <tr><td>59:</td><td>8.9</td><td>↙</td></tr> <tr><td>60:</td><td>9.5</td><td>←</td></tr> <tr><td colspan="2">Serie</td><td>87.0</td></tr> <tr><td colspan="2">Total</td><td>536.0</td></tr> </table>	51:	8.7	←	52:	9.0	↓	53:	10.0	↓	54:	9.8	↓	55:	8.6	↓	56:	9.4	↙	57:	7.7	↖	58:	10.1	→	59:	8.9	↙	60:	9.5	←	Serie		87.0	Total		536.0
41:	9.7	↗																																																																									
42:	*10.5	→																																																																									
43:	8.9	↓																																																																									
44:	7.8	←																																																																									
45:	*10.4	↓																																																																									
46:	9.7	↖																																																																									
47:	9.0	→																																																																									
48:	9.4	↙																																																																									
49:	9.6	→																																																																									
50:	10.1	↓																																																																									
Serie		90.0																																																																									
Total		449.0																																																																									
51:	8.7	←																																																																									
52:	9.0	↓																																																																									
53:	10.0	↓																																																																									
54:	9.8	↓																																																																									
55:	8.6	↓																																																																									
56:	9.4	↙																																																																									
57:	7.7	↖																																																																									
58:	10.1	→																																																																									
59:	8.9	↙																																																																									
60:	9.5	←																																																																									
Serie		87.0																																																																									
Total		536.0																																																																									